

**Instructions Manual**

**Manuel d'Instructions**

**Bedienungsanleitung**

**Manual de instrucciones**

**Εγχειρίδιο οδηγιών**

**Руководство по эксплуатации**

**Kullanım Kilavuzu**

## INDEX

EN

SAFETY INFORMATION .....	4
CHARACTERISTICS .....	7
INSTALLATION .....	9
USE .....	19
CARE AND CLEANING .....	21

## SOMMAIRE

FR

CONSIGNES DE SÉCURITÉ .....	23
CARACTÉRISTIQUES .....	26
INSTALLATION .....	28
UTILISATION .....	38
NETTOYAGE ET ENTRETIEN .....	40

## INHALTSVERZEICHNIS

DE

SICHERHEITSINFORMATIONEN .....	42
CHARAKTERISTIKEN .....	45
MONTAGE .....	47
BEDIENUNG .....	57
REINIGUNG UND WARTUNG .....	59

## INDICE

ES

INFORMACIÓN DE SEGURIDAD .....	61
CARACTERÍSTICAS .....	64
INSTALACIÓN .....	66
USO .....	76
LIMPIEZA Y MANTENIMIENTO .....	78

## ΠΕΡΙΕΧΟΜΕΝΑ

GR

ΣΥΜΒΟΥΛΕΣ ΚΑΙ ΣΥΣΤΑΣΕΙΣ .....	80
ΧΑΡΑΚΤΗΡΙΣΤΙΚΑ .....	83
ΕΓΚΑΤΑΣΤΑΣΗ .....	85
ΧΡΗΣΗ .....	95
ΚΑΘΑΡΙΣΜΟΣ ΚΑΙ ΣΥΝΤΗΡΗΣΗ .....	97

## УКАЗАТЕЛЬ

RU

ИНФОРМАЦИЯ ПО БЕЗОПАСНОСТИ .....	99
ΧΑΡΑΚΤΗΡΙΣΤΙΚΑ .....	102
УСТАНОВКА .....	104
ЭКСПЛУАТАЦИЯ .....	114
ОЧИСТКА И ОБСЛУЖИВАНИЕ .....	116


# İÇERİKLER


TR

GÜVENLİK HAKKINDA BİLGİLER.....	118
ÖZELLİKLER.....	121
MONTAJ.....	123
KULLANIM .....	133
TEMİZLİK VE BAKIM.....	135

## SAFETY INFORMATION

---

 For your safety and correct operation of the appliance, read this manual carefully before installation and use. Always keep these instructions with the appliance even if you move or sell it. Users must fully know the operation and safety features of the appliance.

 The wire connection has to be done by specialized technician.

- The manufacturer will not be held liable for any damages resulting from incorrect or improper installation.
- The minimum safety distance between the cooker top and the extractor hood is 650 mm (some models can be installed at a lower height, please refer to the paragraphs on working dimensions and installation).
- If the instructions for installation for the gas hob specify a greater distance, this must be respected.
- Check that the mains voltage corresponds to that indicated on the rating plate fixed to the inside of the hood.
- Means for disconnection must be incorporated in the fixed wiring in accordance with the wiring rules.
- For Class I appliances, check that the domestic power supply guarantees adequate earthing.
- Connect the extractor to the exhaust flue through a pipe of minimum diameter 120 mm. The route of the flue must be as short as possible.
- Regulations concerning the discharge of air have to be fulfilled.
- Do not connect the extractor hood to exhaust ducts carrying combustion fumes (boilers, fireplaces, etc.).



- If the extractor is used in conjunction with non-electrical appliances (e.g. gas burning appliances), a sufficient degree of aeration must be guaranteed in the room in order to prevent the backflow of exhaust gas. When the cooker hood is used in conjunction with appliances supplied with energy other than electric, the negative pressure in the room must not exceed 0,04 mbar to prevent fumes being drawn back into the room by the cooker hood.
- The air must not be discharged into a flue that is used for exhausting fumes from appliances burning gas or other fuels.
- If the supply cord is damaged, it must be replaced from the manufacturer or its service agent.
- Connect the plug to a socket complying with current regulations, located in an accessible place.
- With regards to the technical and safety measures to be adopted for fume discharging it is important to closely follow the regulations provided by the local authorities.


**⚠ WARNING:** Before installing the Hood, remove the protective films.

- Use only screws and small parts in support of the hood.


**⚠ WARNING:** Failure to install the screws or fixing device in accordance with these instructions may result in electrical hazards.

- Do not look directly at the light through optical devices (binoculars, magnifying glasses...).
- Do not flambè under the range hood; risk of fire.
- This appliance can be used by children aged from 8 years and above and persons with reduced physical, sensory or mental capabilities or lack of experience and knowledge if they have been given supervision or instruction concerning use of the appliance in a safe way and understand the hazards involved. Children shall not play with the appliance. Cleaning and user maintenance shall not be made by children without supervision.
- Children should be supervised to ensure that they do not play with the appliance.

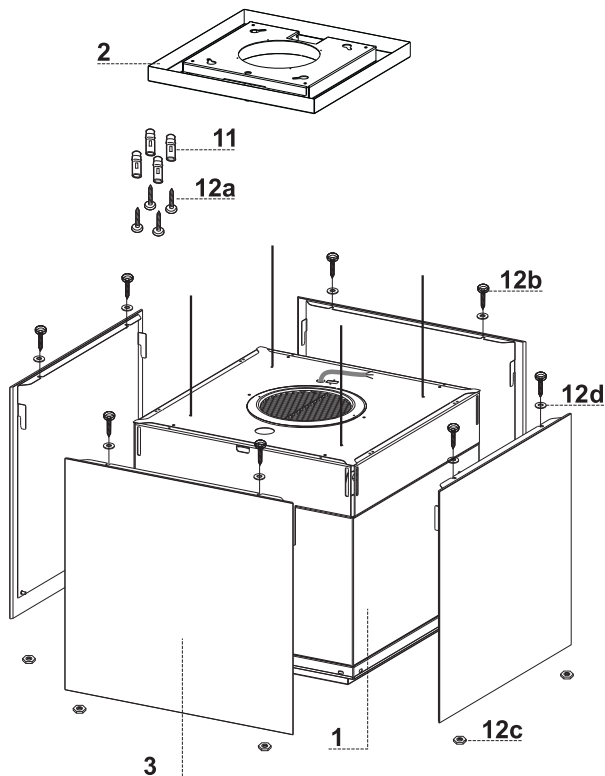
- The appliance is not to be used by persons (including children) with reduced physical, sensory or mental capabilities, or lack of experience and knowledge, unless they have been given supervision or instruction.

 Accessible parts may become hot when used with cooking appliances.

- Clean and/or replace the Filters after the specified time period (Fire hazard). See paragraph Care and Cleaning.
- There shall be adequate ventilation of the room when the range hood is used at the same time as appliances burning gas or other fuels (not applicable to appliances that only discharge the air back into the room).

- The symbol  on the product or on its packaging indicates that this product may not be treated as household waste. Instead it shall be handed over to the applicable collection point for the recycling of electrical and electronic equipment. By ensuring this product is disposed of correctly, you will help prevent potential negative consequences for the environment and human health, which could otherwise be caused by inappropriate waste handling of this product. For more detailed information about recycling of this product, please contact your local city office, your household waste disposal service or the shop where you purchased the product.

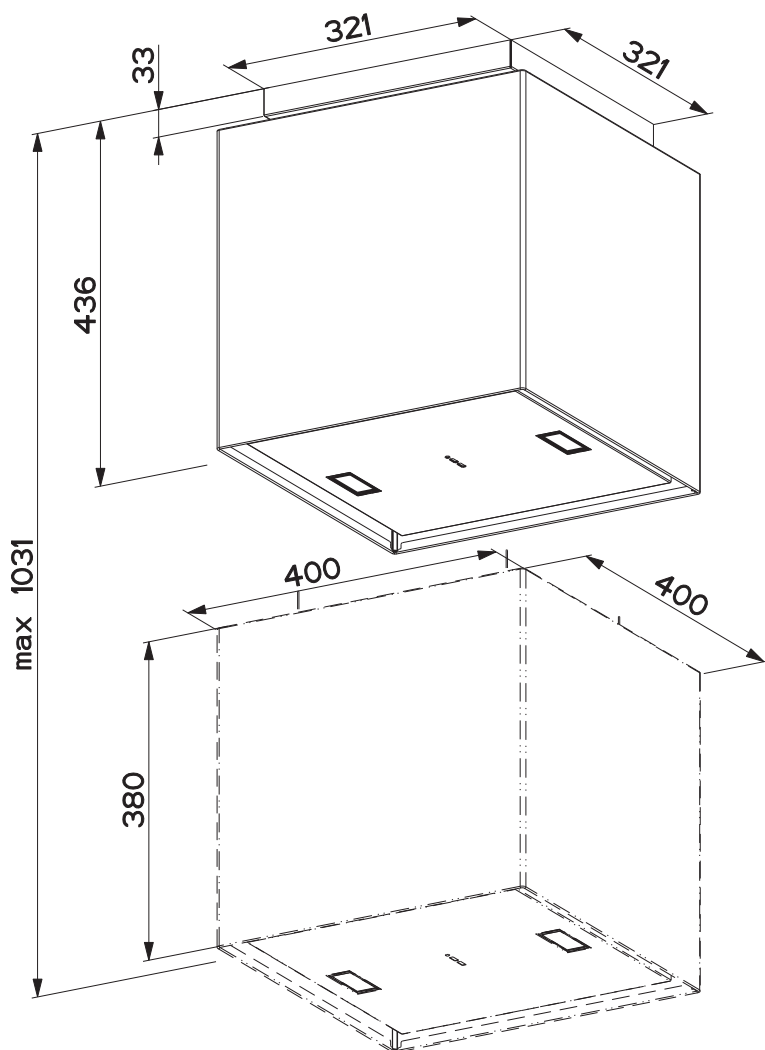
# CHARACTERISTICS



## Components

Ref.	Q.ty	Product Components
1	1	Hood Canopy complete with: Controls, Light, Filters, Motor.
2	1	Hood support plate.
3	4	Glass elements
Ref.	Q.ty	Installation Components
11	4	Wall Plugs $\varnothing$ 10
12a	4	Screws 4.2 x 44.4
12b	8	Screws 4 x 8
12c	8	Nuts
12d	8	Washers D.4,3 x 10
Q.ty	Documentation	
1	Instruction Manual	

## Dimensions



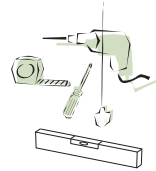
# INSTALLATION

This hood is designed to be mounted on the ceiling/on a shelf, above a free-standing Hob (min. 650 mm), in:

- **Ducting version:** Evacuation to the outside.
- **Recirculation version:** Internal recirculation.

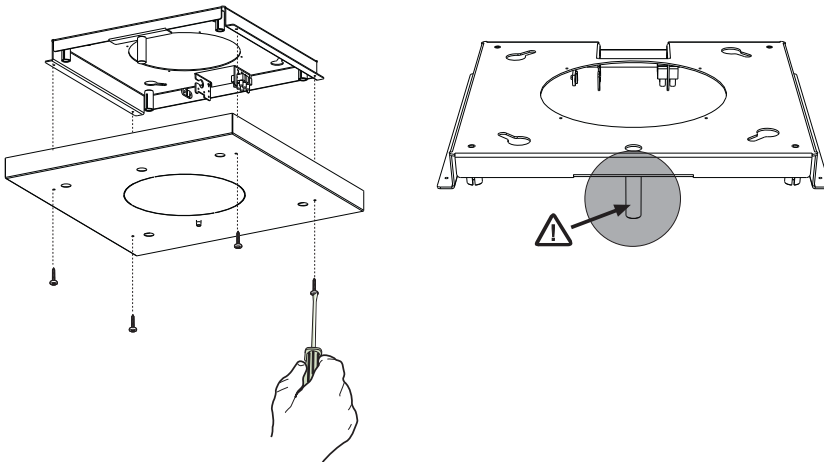
## Sequence of operations - Installation

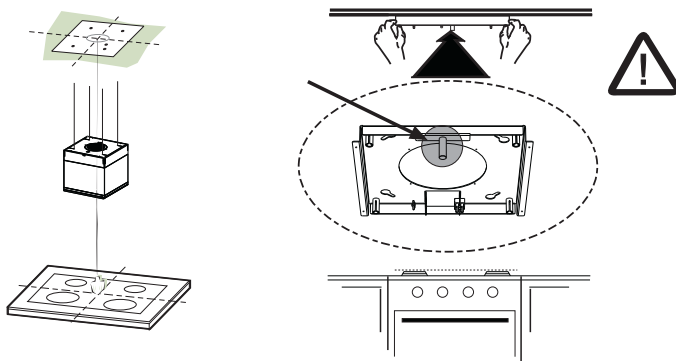
- **Preparing for installation**
- **Drilling the Ceiling/Shelf and Fixing the support plate**
- **Connections**
- **Fitting the Hood canopy**
- **Functional Check**
- **Disposal of Packaging**



## Opening the Plate and preparing for assembly

- Unfasten the screws joining the Plate to its Cover.
- Take the Plate and position it the right way round, as shown in the figure. The pawl must face towards the installer.





## Ceiling/Shelf drilling and Plate Fixing

### CEILING/SHELF DRILLING

- Use a plumb-line and mark the centre of the cooking hob on the Support Ceiling/Shelf
- Rest the Plate against the Ceiling/Shelf, making sure it is the right way up, as shown in the figure.
- Mark the centres of the holes in the plate.
- Drill the following points:
  - Ceilings in solid concrete: As per concrete plugs used.
  - Ceilings in hollow bricks with 20 mm resistance thickness: Drill a hole  $\varnothing$  10 mm (insert Plugs **11** supplied immediately).
  - Ceilings with Wood Beams: As per Wood Screws used (not supplied).
  - Wooden shelf, with a resistant thickness of 15 mm: drill a hole  $\varnothing$  7 mm.
  - Feeding the electric supply cable: drill a hole  $\varnothing$  10 mm.
  - Air Outlet (Ducting Version): according to the diameter of the connection to the external ducting pipe.
- Insert two screws, crossing them and leaving 4-5 mm from the ceiling:
  - for solid concrete, concrete plugs, not provided.
  - for hollow bricks with approx. 20 mm resistance thickness, screws **12a**, provided.
  - for wooden beams, wood screws, not provided.
  - for wooden shelves, screws with washers and nuts, not provided.

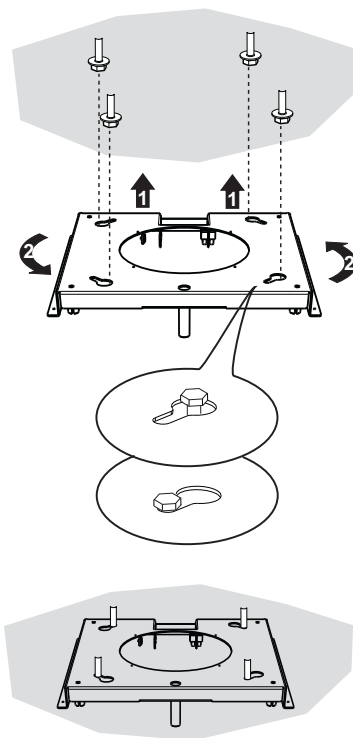
## FIXING THE PLATE

- Lift up the Fixing plate and fit the slots onto the two screws previously inserted in the ceiling, and turn until they are at the centre of the adjustment slot.

**Warning:** The plate must be facing in the direction shown in the figure

- Tighten the two screws completely and screw in the other two provided; before locking the screws completely it is possible to make adjustments by turning the piece, making sure that the screws do not come out of the adjustment slot.
- The unit must be securely fastened both due to the weight of the Hood and the stress caused by occasional sideways pressure on the Appliance when in position. Once the unit has been fixed, make sure that the plate is stable.
- In all cases where the Ceiling is not sufficiently strong at the point of suspension, the Installation technician must strengthen it with suitable plates and counterplates, anchored to structurally sound elements.

- Check that the plate is level on the ceiling.



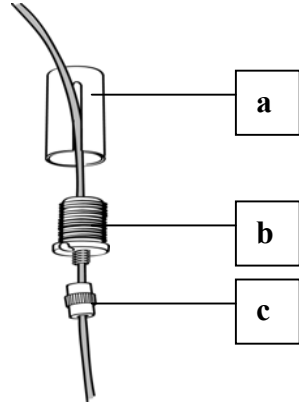
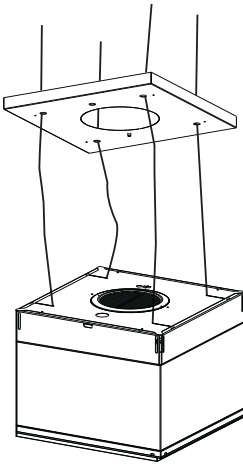
## CONNECTING HOOD-PLATE CABLES

**N.B.** Before proceeding with installation the Hood must be raised to a height of at least 650 mm above the cooker hob by means of a support or with the assistance of another person. Be careful not to exceed the maximum Hood extension indicated in the dimensional drawing.

**⚠** This operation is essential, as the Hood Cables are to be connected to the Plate mounted on the ceiling, and this **must be** done without the weight of the Hood bearing down on the structure.

The system used to fix the 4 Cables comprises 3 components:

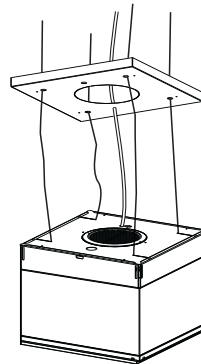
- Threaded pawl (a) already mounted on the ceiling Plate.
- Cable locking screw (b), provided.
- Safety knob (c), provided.



- Pass the 4 cables (connected to the Hood Canopy) through the respective holes in the Plate Cover after dismantling as above, making sure that they face the same way as the plate connected to the ceiling.

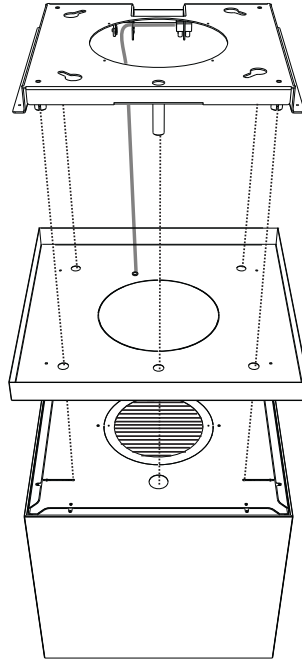
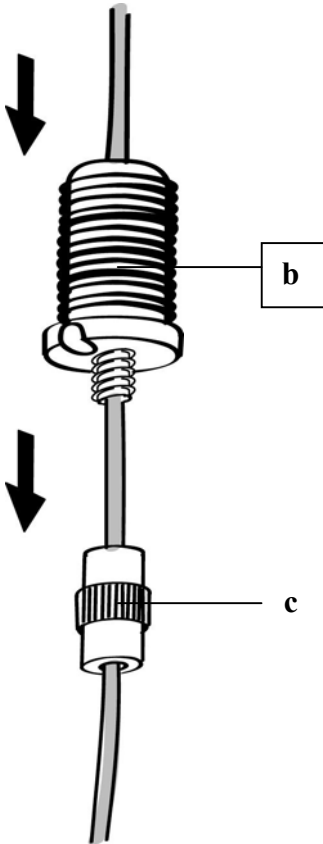
- Insert the Hood power cable into the hole provided in the Cover.

**Warning: Do not break or remove the clamp fixing the power cable to the Hood**



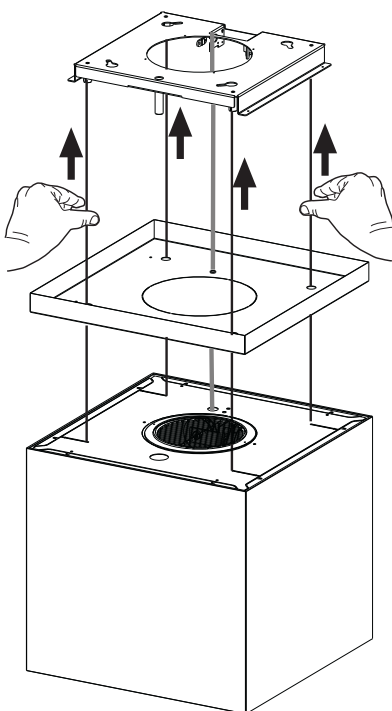
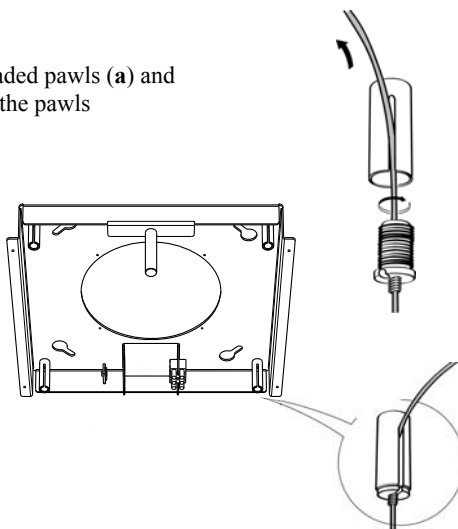


- Pay attention to the direction in which the Plate is fixed to the ceiling (the Plate limit pawl has a corresponding hole on the Plate cover and on the Hood canopy).



- Insert the safety knobs (c) into the respective cables, with the thread to the top.
- Insert the cable locking screws (b) into the respective cables.

- Pass the Cables into the slots on the threaded pawls (a) and tighten the cable locking screws (b) into the pawls themselves.
- When the operation has been completed, the result should be as shown in the figure for all 4 cables.



- At this point, all 4 cables are now connected to the Plate.

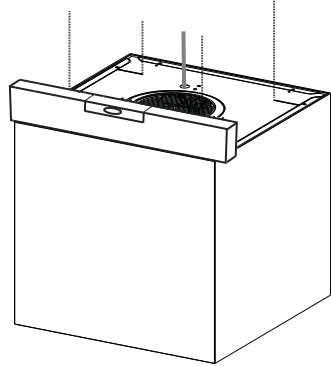
**Tension the Cables by pushing them upwards, so that they slide inside the cable locking screw and out through the slot in the threaded pawl.**

**This is possible because the cable locking screw involves a system that allows the Cable to slide in one direction only, preventing it from sliding in the other direction.**

**Make sure that the Cables are all the same length, to facilitate final levelling operations. The left front cable must not be slacker than the others.**

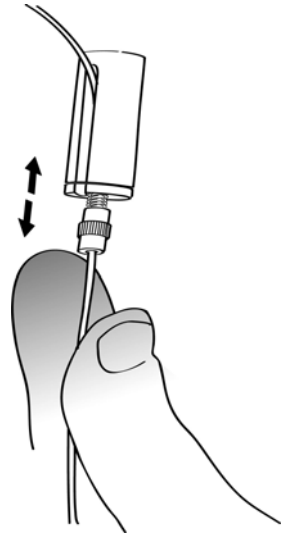
## LEVELLING THE HOOD

- The hood canopy must be levelled.
- The Hood is levelled by adjusting the safety pawls C.



- Rest a spirit level on the hood.

- Exerting an upwards pressure on the safety knobs “unlocks” movement of the Cable. By inserting or extracting the cable from the cable locking screw it is possible to make adjustments to level the mobile hood canopy.
- Once the hood has been set level, the safety knobs must be tightened.



### Warning:

- **Make sure that all 4 of the support cables are taut.**
- **Make sure that none of the 4 support cables have been damaged during installation.**
- **Remember that the minimum distance between the Hood and the cooker hob must be 650mm and make sure that you do not exceed the maximum Hood extension indicated in the dimensional drawing.**

## **Connections**

---

### **AIR OUTLET - DUCTING VERSION**

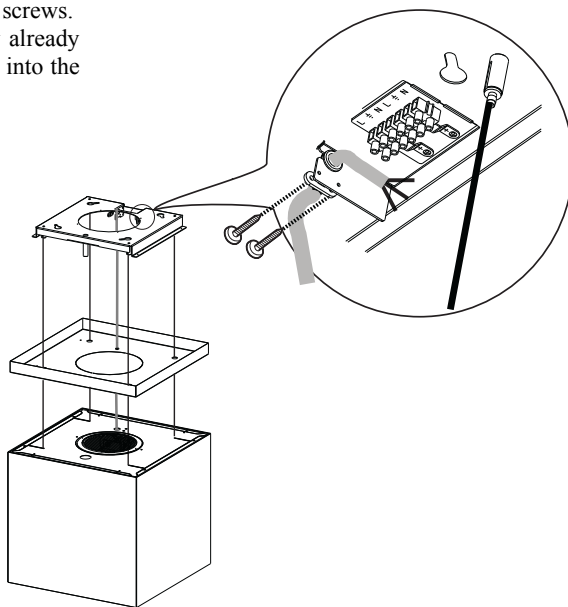
To install the hood in the ducting version, please refer to the instructions provided in the ducting kit specific to the hood.

### **AIR OUTLET – RECIRCULATION VERSION**

- Open the lighting unit by pulling on the notch provided.
- Remove the grease filter.
- Make sure that the Activated charcoal odour filter has been fitted.

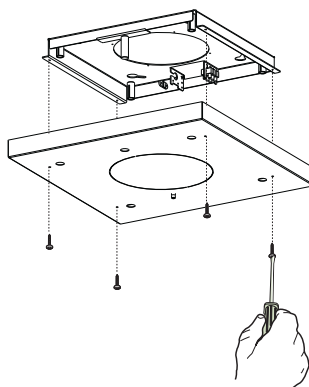
## FIXING THE POWER SUPPLY CABLE

- Tighten the power supply cable and fix it to the Bracket on the ceiling mounted Plate, using the tongue already mounted and 2 screws.
- Slot the rubber cable raceway already threaded onto the power cable into the slot to prevent future damage.
- Connect the Hood to the Mains Power Supply, inserting a bipolar switch with a contact aperture of at least 3 mm.
- Remove the Grease filters (see paragraph “Maintenance”) and make sure that the Power cable has been properly inserted into the Suction fan socket.
- At this point it is possible to remove the clamp fastening the power cable to the Hood Canopy.



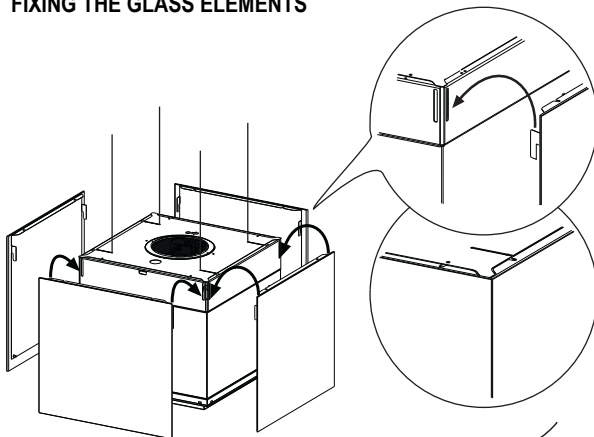
## FITTING THE PLATE COVER

- Screw the Cover back onto the Plate using the screws removed previously.

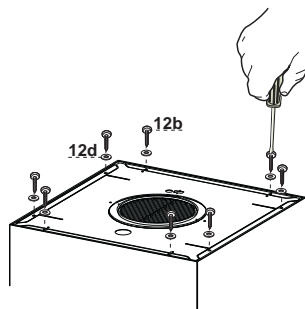


## FIXING THE GLASS ELEMENTS

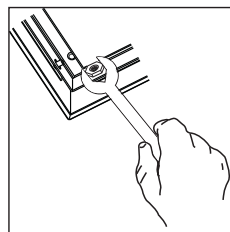
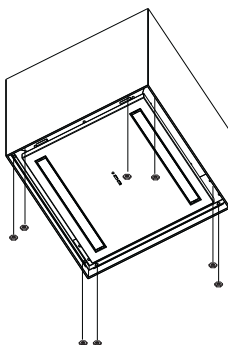
- Hook the 4 Glass Elements to the Hood Canopy by inserting the fins into the slots provided.
- Level the 4 glass elements manually by making small adjustments to the glass elements themselves.



- Fix the 4 Glass elements from above using the screws **12b** and Washers **12d** provided, making sure that they are kept level with one another.



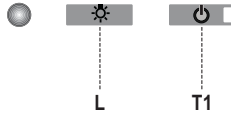
- Finally fix the 4 Glass elements from below using the nuts **12c** provided, making sure that they are kept level with one another.



### Warning!

Check that the Glass elements in the Hood are perfectly aligned and level. If it is not, adjustments can be made by loosening nuts **12c** or screws **12b** so that when the Glass elements are moved they align perfectly.

## Control panel



Button	Function	Display
<b>L</b>	Turns the lights On/Off.	-
<b>T1</b>	<b>Hood Down</b> Press for 2 seconds to raise the Hood. Press briefly to turn the Motor On/Off.	On/Off
	<b>Hood Up</b> Press once: The Hood lowers. Press a second time: The Hood Stops. When the movement has been completed the motor turns on at Speed two.	Off/Off

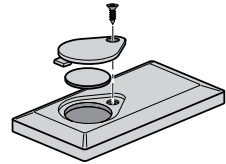
### The electronic control system recognises and signals two types of fault.

Led T1	
<b>Slow flashing</b>	<p><b>Current absorption threshold exceeded:</b> If an overload condition occurs, the fault is signalled by LED <b>T1</b> on the keyboard flashing once every 2 seconds. Check that nothing is blocking normal hood movements. The signal remains active until a new hood open/close command is given.</p>
<b>Rapid flashing</b>	<p><b>Hood opening safety microswitch tripped:</b> If the safety microswitch trips, the fault is signalled by LED <b>T1</b> on the keyboard flashing quickly (once every 250 ms). This means that the hood has passed the microswitch..... <b>Call Technical Assistance!</b></p> <p>You can continue to use the hood's light and motor functions while this fault is active. Whenever the motor is on, LED <b>T1</b> will continue to flash, indicating that the fault is still present.</p>

## REMOTE CONTROL

This appliance can be commanded using a remote control, powered by a CR2032 type 3 V battery (not supplied).

- Do not place the remote control near heat sources.
- Do not discard the batteries with normal waste, they must be put into the specific containers.



## Control panel



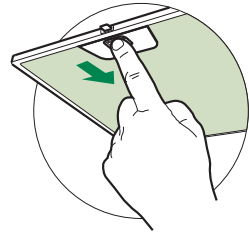
⏻	⏻	Turns the Motor On/Off.	-
	⬇️⬆️	<b>Hood Closed:</b> - Press the button briefly to start lowering the hood - It will stop when the button is pressed again. When the movement has been completed the motor will start at speed 2.	-
	⬆️⬆️	<b>Hood Open:</b> - Press and hold for 2 seconds to activate raising of the hood, which stops when it reaches the stop. - Press (briefly) to stop the movement (before the stop is reached). - Press again briefly to turn the motor on/off. - Press and hold for 2 seconds to start raising of the hood. - If the motor is on, it will first stop the motor and then start the movement.	-
	⌘	-	
	☀️	Turns the Hood lights On/Off.	-
🌀	⚙️	<b>INTENSIVE</b> - This can only be activated with the hood lowered and when the <b>delay</b> or <b>24h</b> functions are not active. - Activates Intensive speed from any other speed. To disable it, simply press the same button again or turn the motor off. - Intensive speed is timed to run for 6 minutes. At the end of the 6 minutes the system will automatically return to the speed that was set before.	The led on the motor button (on the hood controls) will flash once a second.
⏻	⌚	<b>Press briefly for the Delay Function:</b> Can only be activated if the <b>Intensive</b> or <b>24h</b> function is not active. Activates and deactivates total shutdown of the hood (motor+lights) after 30 minutes: To disable the Delay, simply press the button again or turn the motor off.	The led on the motor button (on the hood controls) will flash once every 0.5 seconds.
	⌚	<b>Press and hold for 2 sec. for the 24H Function:</b> Can only be activated if the <b>Intensive</b> or <b>Delay</b> function is not active. Activates and deactivates the 24H function for 10 minutes every hour, for 24 hours. After this time it is deactivated.	The led on the motor button (on the hood controls) will flash once every 2 seconds.
	+	Increases the speed of the Motor.	-
	-	Decreases the speed of the Motor.	-



# CARE AND CLEANING

## Grease filter

The filter must be cleaned every 2 months of operation, or more frequently for particularly heavy usage, and can be washed in a dishwasher.



### CLEANING METAL SELF-SUPPORTING GREASE FILTER

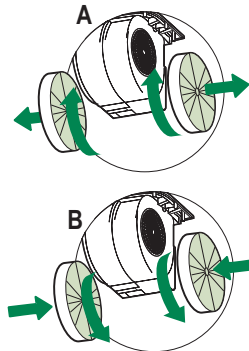
- Open the lighting unit by pulling on the noeth.
- Remove the filter one by one pushing it towards the back side of the hood unit and simultaneously pulling downwards.
- Any kind of bending of the filter has to be avoided when washing it. Before fitting it again into the hood make sure that it is completely dry.
- When fitting the filter into the hood pay attention that they are mounted in correct position the handle facing outwards.
- Replace the lighting unit.

### Activated Charcoal Filter (Recirculation Version)

This cannot be washed or regenerated, and must be changed approximately once every 4 months, or more frequently in the case of particularly intensive use.

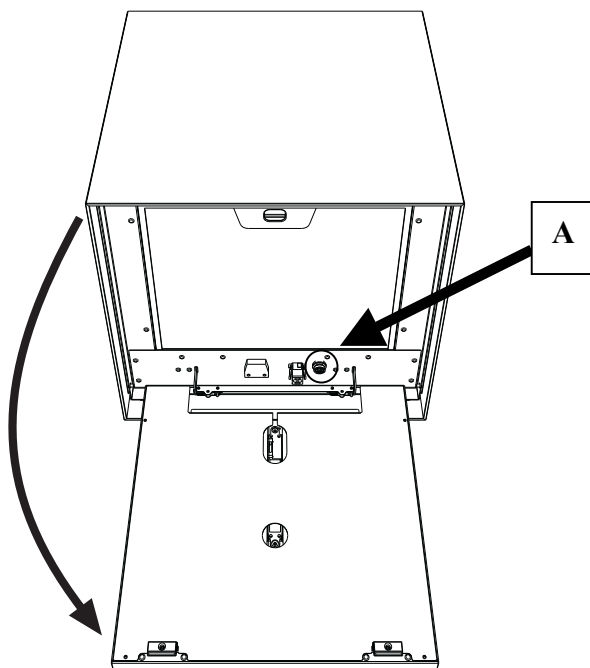
#### CHANGING

- Open the light unit.
- Remove grease filter.
- Remove the saturated Activated Charcoal Filters, as indicated (A).
- Fit the new Filters, as indicated (B).
- Fit the anti-grease filter and the Light Unit back into position.



### Lighting unit

- For replacement contact technical support ("To purchase contact technical support").



### **Intervention procedure in the event of problems with the movement**

1. Check that the fuse is properly inserted and has not burnt out; to replace it if necessary open the lighting unit and unscrew the fuse holder visible to the left of the motor unit, replacing the fuse with another of the same type (Ref. A).
2. Check that the hood canopy is fitted level (the use of a spirit level is recommended).
3. Check that the four cables are all at the same tension.

If the above operations do not solve the problem, contact the Technical Service Department.

## CONSIGNES DE SÉCURITÉ

---

**i** Pour votre sécurité et pour garantir le fonctionnement correct de l'appareil, veuillez lire attentivement ce manuel avant d'installer et de mettre en fonction l'appareil. Toujours conserver ces instructions avec l'appareil, même en cas de cession ou de transfert à une autre personne. Il est important que les utilisateurs connaissent toutes les caractéristiques de fonctionnement et de sécurité de l'appareil.

**⚠** La connexion des câbles doit être effectuée par un technicien compétent.

- En aucun cas le fabricant ne peut être tenu pour responsable d'éventuels dommages dus à une installation ou à une utilisation impropre.
- La distance de sécurité minimum entre le plan de cuisson et la hotte aspirante est de 650 mm (certains modèles peuvent être installés à une hauteur inférieure ; voir le paragraphe concernant les dimensions de travail et l'installation).
- Si les instructions d'installation du plan de cuisson à gaz spécifient une distance supérieure à celle indiquée ci-dessus, veuillez impérativement en tenir compte.
- Assurez-vous que la tension du secteur correspond à celle indiquée sur la plaque des caractéristiques apposée à l'intérieur de la hotte.
- Les dispositifs de sectionnement doivent être montés dans l'installation fixe conformément aux normes sur les systèmes de câblage.
- Pour les appareils de Classe I, s'assurer que l'installation électrique de votre intérieur dispose d'une mise à la terre adéquate.
- Reliez l'aspirateur du conduit de cheminée avec un tube ayant un diamètre minimum de 120 mm. Le parcours des fumées doit être le plus court possible.
- Respecter toutes les normes concernant l'évacuation de l'air.
- Ne reliez pas la hotte aspirante aux conduits de cheminée qui acheminent les fumées de combustion (par ex. de chaudières, de cheminées, etc.).

- Si vous utilisez l'aspirateur en même temps que des appareils non électriques (par ex. fonctionnant au gaz), veillez à ce que la pièce soit adéquatement ventilée, afin d'empêcher le retour du flux des gaz d'évacuation. Si vous utilisez la hotte de cuisine en même temps que des appareils non alimentés à l'électricité, la pression négative dans la pièce ne doit pas dépasser 0,04 mbar, afin d'éviter que les fumées soient réaspirées dans la pièce où se trouve la hotte.
- Ne pas évacuer l'air à travers une conduite utilisée pour l'évacuation des fumées des appareils de combustion alimentés au gaz ou avec d'autres combustibles.
- Si le cordon d'alimentation est endommagé, faites-le remplacer par le fabricant ou par un technicien d'un service après-vente agréé.
- Branchez la fiche à une prise conforme aux normes en vigueur et dans une position accessible.
- En ce qui concerne les dimensions techniques et de sécurité à adopter pour l'évacuation des fumées, veuillez vous conformer scrupuleusement aux règlements établis par les autorités locales.


**⚠ AVERTISSEMENT** : Avant d'installer la hotte, retirer les films de protection.

- Utilisez exclusivement des vis et des petites fournitures du type adapté pour la hotte.


**⚠ AVERTISSEMENT** toute installation de vis et de dispositifs de fixation non conformes à ces instructions peut entraîner des risques de décharges électriques.

- Ne pas observer directement avec des instruments optiques (jumelles, lentilles grossissantes...).
- Ne flambez pas des mets sous la hotte : sous risque de développer un incendie.
- Cet appareil peut être utilisé par des enfants de plus de 8 ans et par des personnes dont les capacités physiques, sensorielles ou mentales sont diminuées ou ayant une expérience et des connaissances insuffisantes, pourvu que ce soit sous la surveillance attentive d'une personne responsable et après avoir reçu des instructions sur la manière d'utiliser cet appareil en toute sécurité et sur les dangers que cela comporte. Assurez-vous que les enfants ne jouent pas avec cet appareil. Le nettoyage et l'entretien de la part de l'utilisateur ne doivent pas être effectués par des enfants, à moins qu'ils ne soient surveillés.
- Surveillez les enfants. S'assurer qu'ils ne jouent pas avec l'appareil.

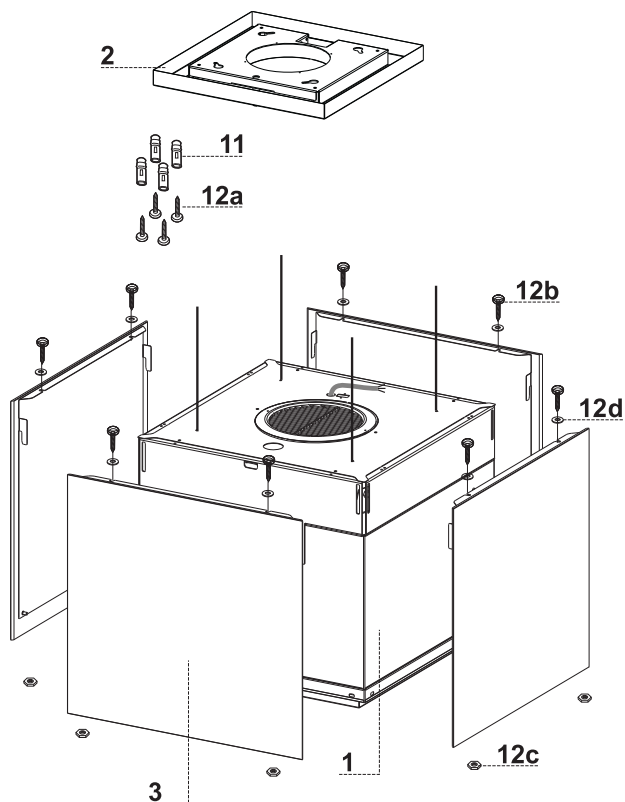
- Cet appareil n'est pas destiné à être utilisé par des personnes (enfants compris) dont les capacités physiques, sensorielles ou mentales sont diminuées ou ayant une expérience et des connaissances insuffisantes, à moins que celles-ci ne soient attentivement surveillées et instruites.

 Les parties accessibles peuvent devenir très chaudes durant l'utilisation des appareils de cuisson.

- Nettoyer et/ou remplacer les filtres après le délai indiqué (danger d'incendie). Voir le paragraphe Nettoyage et Entretien.
- Veillez à ce que la pièce bénéficie d'une ventilation adéquate lorsque la hotte fonctionne en même temps que des appareils utilisant du gaz ou d'autres combustibles (non applicable aux appareils qui évacuent l'air uniquement dans la pièce).

- Le symbole  marqué sur le produit ou sur son emballage indique que ce produit ne peut pas être éliminé comme déchet ménager normal. Lorsque ce produit doit être éliminé, veuillez le remettre à un centre de collecte prévu pour le recyclage du matériel électrique et électronique. En vous assurant que cet appareil est éliminé correctement, vous participez à prévenir des conséquences potentiellement négatives pour l'environnement et pour la santé, qui risqueraient de se présenter en cas d'élimination inappropriée. Pour toute information supplémentaire sur le recyclage de ce produit, contactez votre municipalité, votre déchetterie locale ou le magasin où vous avez acheté ce produit.

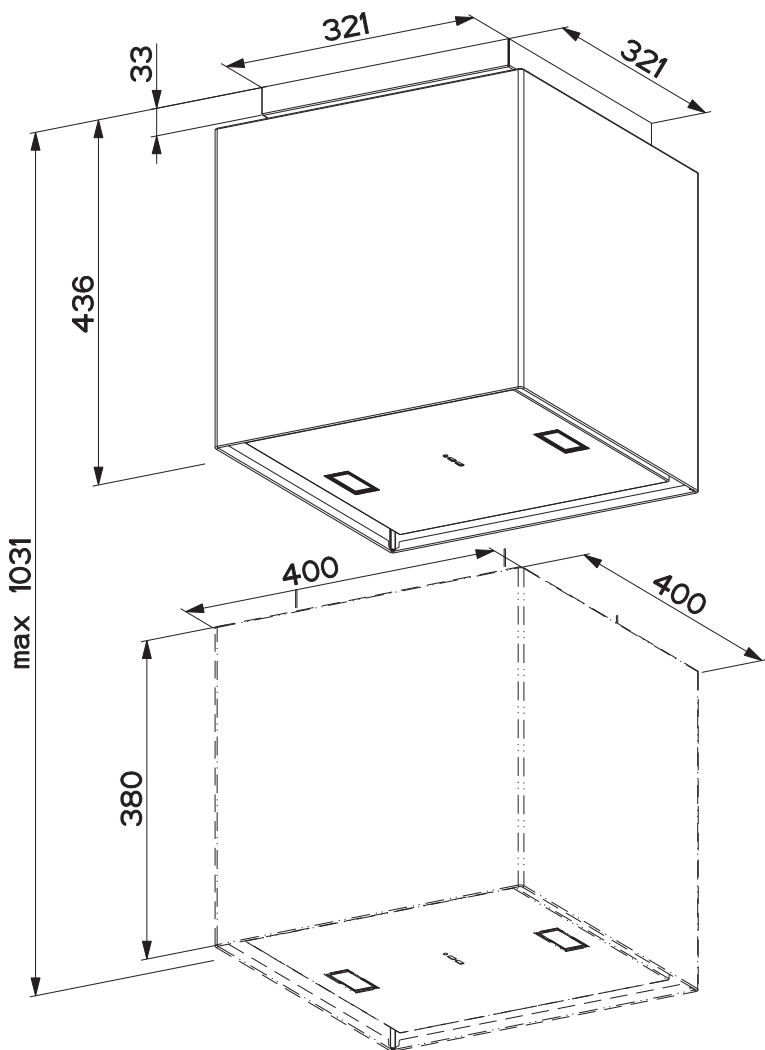
# CARACTERISTIQUES



## Composants

Réf.	Q.té	Composants du produit
1	1	Corps de hotte équipé de : commandes, lumière, filtres, moteur.
2	1	Plaque support hotte
3	4	Vitres
Réf.	Q.té	Composants de l'installation
11	4	Chevilles $\varnothing$ 10
12a	4	Vis 4,2 x 44,4
12b	8	Vis 4 x 8
12c	8	Écrous
12d	8	Rondelles D.4,3 x 10
Q.té	Documentation	
1	Manuel d'instructions	

## Encombrement



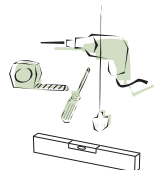
# INSTALLATION

Cette hotte est prévue pour être installée au plafond/étagère, au-dessus (650 mm min.) d'un plan de cuisson en îlot en :

- **Version aspirante** : évacuation à l'extérieur.
- **Version filtrante** : recirculation intérieure.

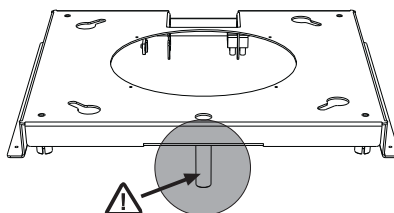
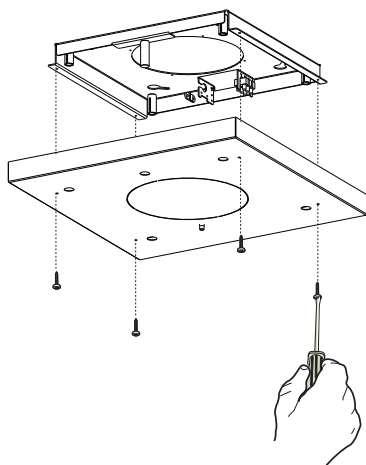
## Séquence des opérations d'installation

- Préparation à l'installation
- Perçage plafond/étagère et fixation plaque de support
- Connexions
- Montage du corps de hotte
- Contrôle fonctionnel
- Élimination des emballages

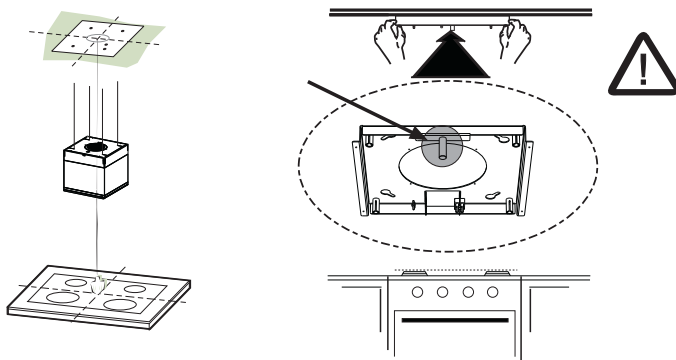


## Ouverture de la plaque et préparation à son montage

- Desserrer les vis qui unissent la plaque à son couvercle.
- Prendre la plaque et la placer dans le sens correct comme indiqué dans la figure. Le cliquet doit se trouver en face de l'installateur.







## Perçage plafond/étagère et fixation plaque

### PERÇAGE PLAFOND/ÉTAGÈRE

- À l'aide d'un fil à plomb, ramener sur le plafond/étagère de support le centre du plan de cuisson.
- Appuyer la plaque au plafond/étagère en veillant de la positionner dans le bon sens, comme indiqué dans la figure.
- Marquer les centres des trous de la plaque.
- Percer les points suivants :
  - Plafond en béton massif : selon les chevilles pour béton employées.
  - Plafond en béton et chambre à air, avec une épaisseur résistante de 20 mm : percer  $\varnothing$  10 mm (insérer tout de suite les chevilles **11** fournies).
  - Plafond en poutres de bois : selon les vis pour bois employées (non fournies).
  - Étagère en bois, avec une épaisseur résistante de 15 mm : percer  $\varnothing$  7 mm.
  - Passage du câble électrique d'alimentation : percer  $\varnothing$  10 mm.
  - Sortie air (version aspirante) : selon le diamètre de la liaison au tuyau de l'évacuation extérieure.
- Serrer en diagonale et en laissant 4-5 mm du plafond les deux vis :
  - pour béton massif, les chevilles pour béton, non fournies.
  - pour béton avec chambre à air, avec une épaisseur résistante d'environ 20 mm, vis **12a** fournies.
  - pour poutres de bois, vis pour bois, non fournies.
  - pour étagère de bois, vis avec rondelles et écrous non fournies.

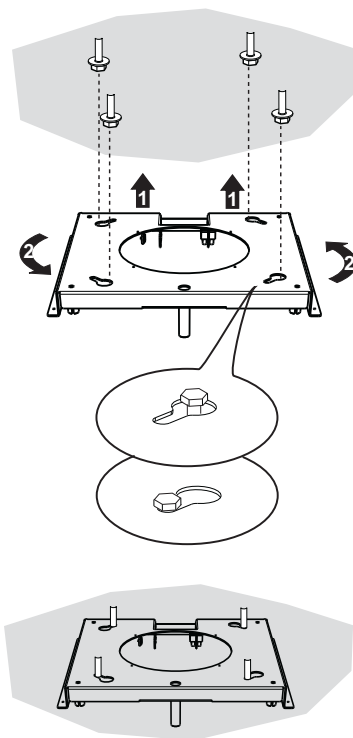
## FIXATION PLAQUE

- Soulever la plaque de fixation, emboîter les trous sur les deux vis précédemment prévues au plafond et tourner jusqu'au centre du trou de réglage.

**Attention :** le sens de la plaque doit être celui indiqué dans la figure.

- Serrer les deux vis et visser les deux autres fournies ; avant de serrer définitivement les vis, vous pouvez effectuer des réglages en tournant la pièce, en faisant attention à ce que les vis ne sortent pas du siège du trou de réglage.
- La fixation doit être sûre aussi bien par rapport au poids de la hotte qu'aux contraintes provoquées par des poussées latérales occasionnelles lorsque l'appareil est monté. À la fin de la fixation, vérifier que la plaque est stable.
- Au cas où le plafond ne serait pas suffisamment robuste dans le point de suspension, l'installateur devra le renforcer à l'aide de plaques et de contre-plaques opportunes ancrées aux parties structurellement résistantes.

- Vérifier le nivellement de la plaque au plafond.



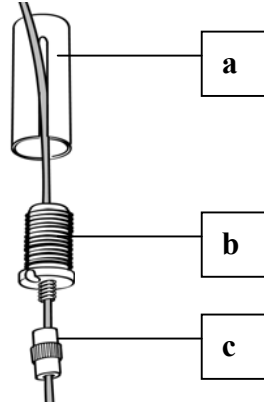
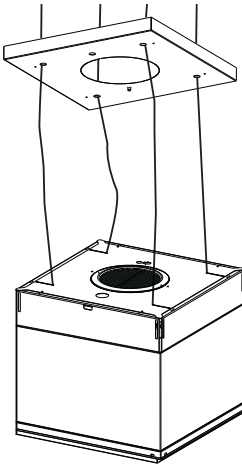
## CONNEXION CÂBLES HOTTE-PLAQUE

**N.B.** Avant de commencer l'installation, il est nécessaire d'amener la hotte à une hauteur d'au moins 650 mm du plan de cuisson, avec un support ou en se faisant aider par une autre personne. Prendre garde de ne pas dépasser la cote maximum d'extension de la hotte indiquée dans le croquis coté.

⚠ Cette mesure est fondamentale, puisque les câbles de la hotte doivent être branchés à la plaque montée au plafond, **il est impératif** d'éviter que le poids de la hotte puisse peser sur la structure.

Le système de fixation des 4 câbles est formé de 3 parties :

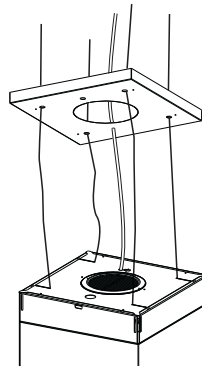
- Cliquet fileté (a) déjà monté sur la plaque de plafond.
- Vis serre-câble (b) fournie.
- Pommeau de sécurité (c) fourni.



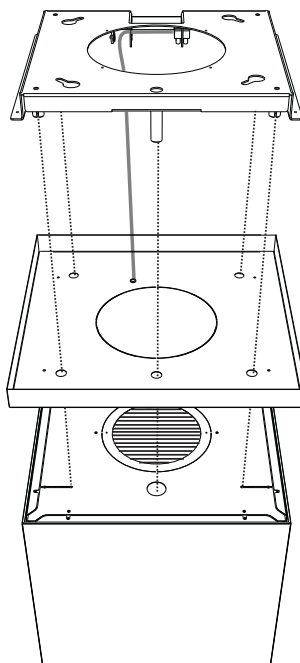
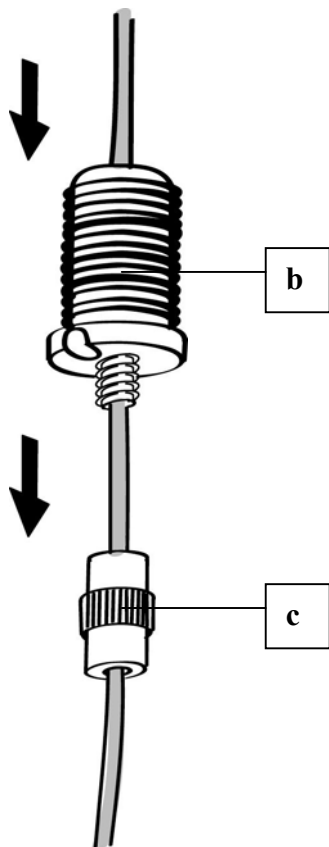
- Passer les 4 câbles (accrochés au corps de hotte) dans les trous correspondants du couvercle de la hotte, précédemment déposé, en veillant à ce que le sens soit le même que celui de la plaque accrochée au plafond.

- Insérer le câble d'alimentation de la hotte dans le trou prévu sur le couvercle.

**Attention : ne pas casser ni retirer le collier qui fixe le câble d'alimentation de la hotte.**



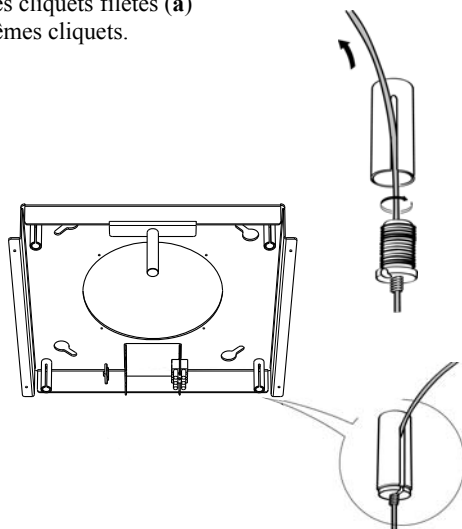
- Faire attention au sens d'orientation de la plaque fixée au plafond (le cliquet de fin de course de la plaque présente son trou correspondant sur le couvercle de la plaque et sur le corps de hotte).



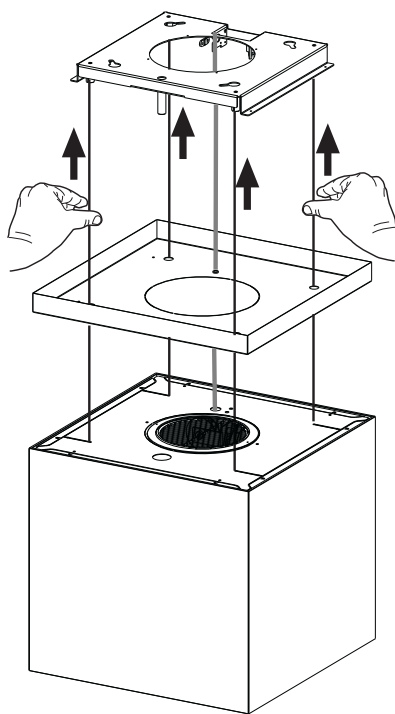
- Enfiler les pommeaux de sécurité (c) dans leurs câbles correspondants, en veillant à ce que le filetage soit orienté vers le haut.
- Enfiler les vis serre-câble (b) dans leurs câbles respectifs.

- Faire passer les câbles dans les trous des cliquets filetés (a) et serrer les vis serre-câble (b) à ces mêmes cliquets.

- À la fin de l'opération, le résultat doit être celui représenté dans la figure pour tous les 4 câbles.



- À ce point, les 4 câbles sont reliés à la plaque.



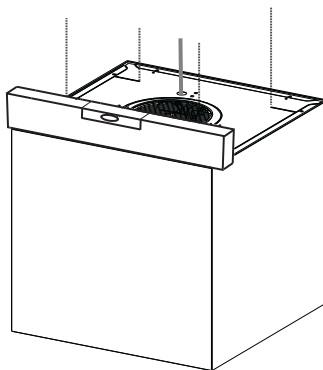
**Mettre les câbles sous tension en les poussant vers le haut de manière à ce qu'ils coulisent dans la vis serre-câble et hors du trou du cliquet fileté.**

**Cela est possible, car le système présent dans la vis serre-câble permet au câble de coulisser dans un seul sens à son intérieur, en bloquant le coulisement dans l'autre sens.**

**Veiller à ce que les câbles aient tous la même longueur pour faciliter l'opération de nivellement final. Faire attention à ce que le câble avant gauche ne soit pas plus mou que les autres.**

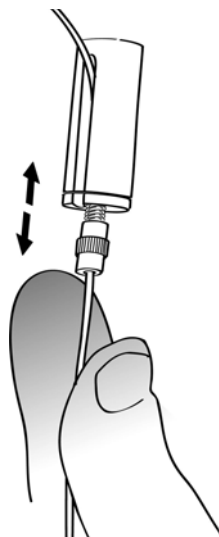
## NIVELLEMENT DE LA HOTTE

- Il est nécessaire d'effectuer le nivellement du corps de hotte.
- Le nivellement de la hotte s'effectue en intervenant sur les cliquets de sécurité C.



- Appuyer un niveau sur la hotte.

- Pour « débloquer » le mouvement du câble, exercer une pression vers le haut, sur les pommeaux de sécurité. Insérer ou extraire le câble de la vis serre-câble pour effectuer les réglages qui permettent de niveler le corps mobile de la hotte.
- Après avoir nivelé la hotte selon nécessité, serrer les pommeaux de sécurité.



### Attention :

- **Vérifier que tous les 4 câbles de soutien sont tendus.**
- **Vérifier que tous les 4 câbles de soutien n'ont subi aucun dommage durant l'installation.**
- **N'oubliez pas que la distance minimum entre la hotte et le plan de cuisson de la cuisine doit être de 650 mm. Prendre garde de ne pas dépasser la cote maximum d'extension de la hotte indiquée dans le croquis coté.**

## **Connexions**

---

### **SORTIE AIR VERSION ASPIRANTE**

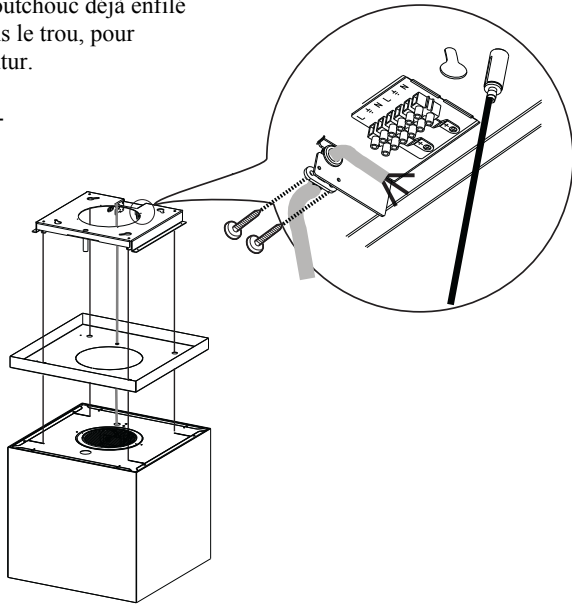
Pour l'installation de la hotte version aspirante, voir les instructions contenues dans le kit d'aspiration spécifique pour la hotte.

### **SORTIE DE L'AIR VERSION FILTRANTE**

- Ouvrir le groupe d'éclairage en le tirant sur l'encoche prévue à cet effet.
- Retirer le filtre à graisse.
- S'assurer de la présence des filtres anti-odeur à charbon actif.

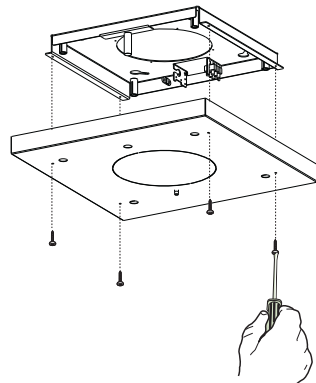
## FIXATION DU CÂBLE D'ALIMENTATION

- Tendre le câble d'alimentation et le fixer à la bride sur la plaque de plafond, en utilisant la languette déjà montée avec 2 vis.
- Emboîter le passe-câble en caoutchouc déjà enfilé sur le câble d'alimentation dans le trou, pour éviter tout endommagement futur.
- Brancher la hotte à l'alimentation de secteur en intercalant un interrupteur bipolaire ayant une ouverture des contacts d'au moins 3 mm.
- Retirer les filtres à graisse (voir par. « Entretien ») et s'assurer que le connecteur du câble d'alimentation est correctement branché dans la prise de l'aspirateur.
- À ce point, vous pouvez couper le collier qui bloque le câble d'alimentation au corps de hotte.



## MONTAGE DU COUVERCLE DE LA PLAQUE

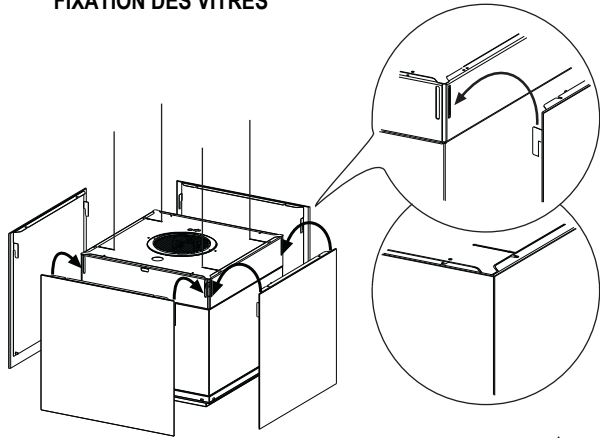
- À l'aide des vis précédemment retirées, revisser le couvercle à la plaque.



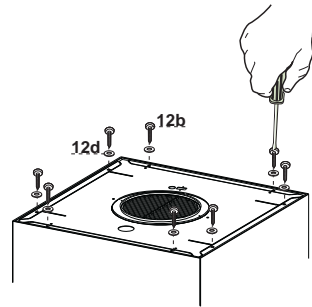


## FIXATION DES VITRES

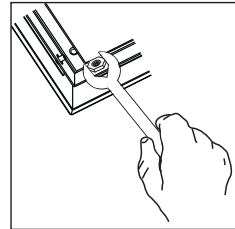
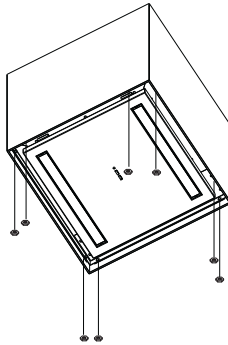
- Accrocher les 4 vitres au corps de hotte en enfilant les ailettes sur les trous prévus à cet effet.
- Nivelier les 4 vitres manuellement en effectuant de petits réglages sur ces mêmes vitres.



- En passant par la partie supérieure, fixer les 4 vitres avec les vis **12b** et les Rondelles **12d** fournies, en vous assurant de conserver le nivellement entre elles.



- En passant par la partie inférieure, fixer définitivement les 4 vitres avec les écrous **12c** fournis, en vous assurant de conserver le nivellement entre elles.

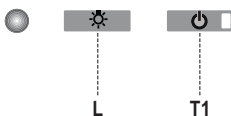


### Attention

Vérifier que les vitres de la hotte sont parfaitement alignées et nivelées. Si cela n'est pas, vous pouvez effectuer des réglages en desserrant les écrous **12c** ou les vis **12b** de manière qu'en déplaçant les vitres, celles-ci s'alignent parfaitement.

# UTILISATION

## Tableau des commandes



Touche	Fonction	Affichage
L	Allume/Éteint les lumières	-
T1	<b>Hotte basse</b> Appuyer pendant 2 secondes pour remonter la hotte. Appui bref On/Off moteur	Branché/Débranché
	<b>Hotte haute</b> Premier appui : La hotte descend. Deuxième appui : Stop hotte. À la fin du mouvement, le moteur se branche à la deuxième vitesse.	Débranché/Débranché

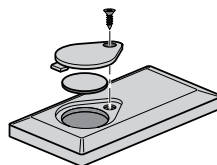
### L'électronique reconnaît deux types d'anomalies et donne le signal correspondant

Led T1	
<b>Clignotement lent</b>	<p><b>Dépassement du seuil d'absorption de courant:</b> En présence d'une condition de surcharge, l'anomalie est signalée par le clignotement, toutes les 2 secondes, de la led <b>T1</b> située sur le clavier. Vérifier l'absence de tout empêchement durant le mouvement de la hotte. Ce signalement demeure actif jusqu'à ce qu'une nouvelle commande d'ouverture/fermeture de la hotte soit donnée.</p>
<b>Clignotement rapide</b>	<p><b>Intervention du microswitch de sécurité en ouverture:</b> En cas d'intervention du microswitch de sécurité, l'anomalie est signalée par le clignotement rapide de la led <b>T1</b> (toutes les 250ms), indiquant que la hotte a dépassé le fin de course..... <b>Contactez le service après vente!</b></p> <p>En présence de cette anomalie, l'accès aux fonctions de la hotte (lumières et moteur) est toujours possible. Si le moteur est branché, la led <b>T1</b> continuera à clignoter, signalant que l'anomalie est toujours présente.</p>

## TÉLÉCOMMANDE

Cet appareil peut être commandé via une télécommande, alimentée avec une batterie 3 V type CR2032 (non fournie).

- Ne pas ranger la commande à proximité de sources de chaleur.
- Ne pas jeter les batteries dans la nature, mais les déposer dans les bornes de collecte.



### Tableau des commandes

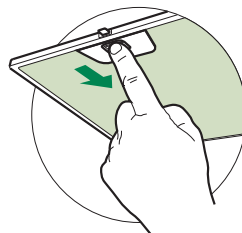


⏻	⏻	Branche/Débranche le moteur.	-
	↕	<b>Hotte fermée :</b> - En appuyant brièvement sur la touche la hotte commence à descendre - A la pression suivante, elle s'arrête. Lorsque le mouvement est terminé, le moteur se branche à la 2 <sup>ème</sup> vitesse.	-
		<b>Hotte ouverte :</b> - Appuyer pendant 2 secondes pour activer le mouvement de remontée qui s'arrête avec le fin de course. - Appuyer (brièvement) pour arrêter le mouvement (avant le fin de course). - Appuyer encore brièvement, on/off moteur. - Garder appuyé pendant 2 secondes pour activer le mouvement de remontée. - Si le moteur est branché, d'abord le moteur s'arrête, puis le moteur démarre.	-
⊘	-	-	
☀		Branche/Débranche les lumières de la hotte.	-
☢	⏻	<b>INTENSIVE</b> - Activable seulement lorsque la hotte est descendue et lorsque le <b>delay</b> ou le <b>24h</b> ne sont pas actifs. - Active la vitesse intensive à partir de n'importe quelle vitesse. Pour la débrancher, appuyer de nouveau sur cette même touche ou éteindre le moteur. - La vitesse intensive est temporisée à 6 minutes. À la fin des 6 minutes le système retourne automatiquement à la vitesse précédemment programmée.	La led présente sur la touche moteur (des commandes hotte) clignote 1 fois par seconde).
⏻	⏻	<b>Appuyer brièvement sur la fonction Delay :</b> Activable seulement lorsque l' <b>Intensive</b> ou le <b>24h</b> ne sont pas actifs. Branche et débranche le mode d'arrêt total de la hotte (moteur+lumières) après 30 minutes : Pour invalider le Delay, appuyer de nouveau sur la même touche ou éteindre le moteur.	La led présente sur la touche moteur (des commandes hotte) clignote toutes les 0,5 seconde).
	⌚	<b>Appuyer pendant 2 sec sur la fonction 24h :</b> Activable seulement lorsque l' <b>Intensive</b> ou le <b>Delay</b> ne sont pas actifs. Branche et débranche la fonction 24 pendant 10 minutes par heure, pendant 24 heures. A l'expiration, la fonction se désactive.	La led présente sur la touche moteur (des commandes hotte) clignote toutes les 2 secondes).
+		Augmente la vitesse du moteur.	-
-		Diminue la vitesse du moteur.	-

# NETTOYAGE ET ENTRETIEN

## Filter à graisse métallique

Il est lavable même au lave-vaisselle. Il doit être lavé environ tous les 2 mois d'utilisation ou plus fréquemment en cas d'utilisation particulièrement intensive.



### NETTOYAGE FILTRE À GRAISSE MÉTALLIQUE

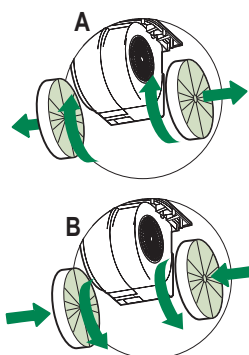
- Ouvrir le groupe d'éclairage en le tirant sur l'encoche prévue à cet effet.
- Retirer le filtre, en le poussant vers l'arrière du groupe, tout en tirant en même temps vers le bas.
- Laver le filtre en évitant de le plier et les laisser sécher avant de les remonter.
- Le remonter en veillant à ce que la poignée soit toujours vers la partie visible externe.
- Refermer le groupe d'éclairage.

### Filtres anti-odeur à charbon actif (version filtrante)

Il n'est ni lavable ni régénérable, le remplacer après environ 4 mois d'utilisation ou plus fréquemment en cas d'utilisation particulièrement intense.

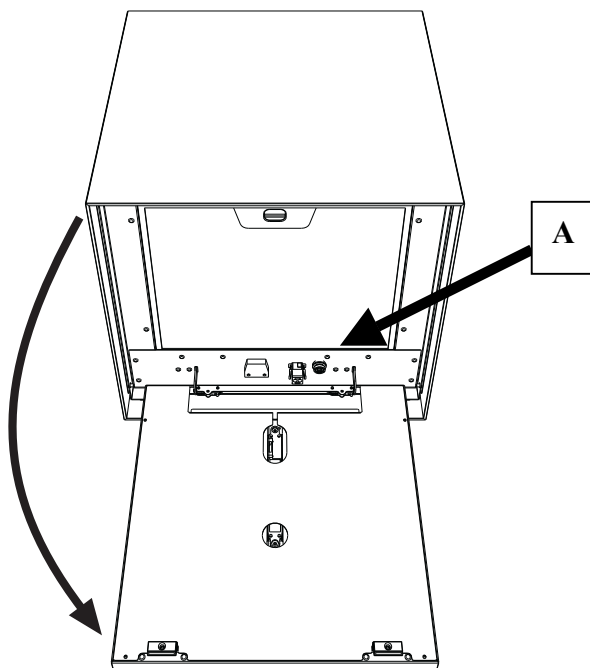
#### REPLACEMENT

- Ouvrir le groupe d'éclairage.
- Retirer le filtre à graisse.
- Enlever les filtres anti-odeur à charbon actif saturés, comme indiqué (A).
- Monter les nouveaux filtres, comme indiqué (B).
- Remonter le filtre à graisse et le groupe d'éclairage.



### Éclairage

- Pour le remplacement, contacter le Service après-vente (« Pour l'achat, s'adresser au service après-vente »).



### **Procédure d'intervention en cas d'anomalies sur le mouvement**

- Vérifier que le fusible est correctement inséré et qu'il n'est pas brûlé. En cas de nécessité de remplacement, ouvrir le groupe d'éclairage et desserrer le porte-fusible visible sur la gauche du groupe moteur, en le remplaçant par un autre fusible ayant les mêmes caractéristiques (Réf. A).
- Vérifier que le corps de hotte est installé à niveau (l'utilisation d'un niveau est conseillée).
- Vérifier que les quatre câbles sont tendus tous les quatre de la même manière.

Si les actions précédentes n'ont pas résolu le problème, contacter le service après-vente.

## SICHERHEITSINFORMATIONEN

---

**i** Zu Ihrer eigenen Sicherheit und für die korrekte Funktion des Gerätes lesen Sie bitte diese Betriebsanleitung aufmerksam durch, bevor Sie das Gerät installieren und benutzen. Verwahren Sie die Bedienungsanleitung stets zusammen mit dem Gerät, auch wenn Sie dieses an Dritte weitergeben oder übertragen. Es ist wichtig, dass der Benutzer alle Betriebs- und Sicherheitsmerkmale des Gerätes kennt.

**⚠** Die Kabel müssen von einem zuständigen Fachmann angeschlossen werden.

- Der Hersteller haftet nicht für etwaige Schäden, die durch eine fehlerhafte Installation oder einen ungeeigneten Gebrauch entstehen könnten.
- Der min. Sicherheitsabstand zwischen Kochfeld und Abzugshaube beträgt 650 mm (einige Modelle können auch niedriger installiert werden; siehe Absatz Installation).
- Sollten die Installationsanweisungen des gasbetriebenen Kochfelds einen größeren Abstand als oben angegeben vorsehen, ist dies zu berücksichtigen.
- Sicherstellen, dass die Netzspannung der auf dem Typenschild angegebenen Spannung entspricht. Das Typenschild ist im Inneren der Haube angebracht.
- Trennvorrichtungen müssen in der festen Anlage gemäß Normen über Verkabelungssysteme installiert werden.
- Für Geräte der Klasse I sicherstellen, dass das Versorgungsnetz des Gebäudes korrekt geerdet ist.
- Die Abzugshaube an den Schornstein mit einem Rohr mit Minstdurchmesser von 120 mm anschließen. Der Verlauf des Rauchabzugs muss so kurz wie möglich sein.
- Alle gesetzlichen Vorschriften im Bereich Abluft einhalten.
- Die Abzugshaube darf nicht an einen Schacht angeschlossen werden, in den Rauchgase abgeleitet werden (z. B. von Heizkesseln, Kaminen, usw.).

- Falls die Abzugshaube mit Geräten verwendet wird, die nicht elektrisch betrieben sind (z.B. Gasgeräte), muss im Raum für eine ausreichende Belüftung gesorgt werden, damit der Rückfluss der Abgase verhindert wird. Wird die Abzugshaube zusammen mit nicht elektrisch betriebenen Geräten eingesetzt, darf der Unterdruck im Raum 0,04 mbar nicht überschreiten, damit die Abgase nicht wieder angesaugt werden.
- Die Luft darf nicht durch einen Kanal abgelassen werden, der als Rauchabzug für Gasgeräte oder Geräte verwendet wird, die mit anderen Brennstoffen betrieben werden.
- Wenn das Gerätekabel beschädigt ist, muss es vom Hersteller oder von einem Kundendiensttechniker ersetzt werden.
- Den Stecker in eine den einschlägigen Vorschriften entsprechende zugängliche Steckdose stecken.
- Was die technischen und sicherheitsrelevanten Maßnahmen für den Rauchabzug betrifft, sind die Vorgaben der örtlichen Behörden streng einzuhalten.


**⚠️ WARNUNG:** Bevor die Haube installiert wird, die Schutzfolien abziehen.

- Nur für die Abzugshaube geeignete Schrauben und Kleinteile verwenden.


**⚠️ WARNUNG:** Die mangelnde Verwendung von Schrauben und Befestigungselementen gemäß der vorliegenden Anleitung kann zu Stromschlaggefahr führen.

- Nicht direkt mit optischen Instrumenten (Fernglas, Lupe, usw.) in das Licht schauen.
- Auf keinen Fall unter der Haube flambieren: Dabei könnte ein Brand entstehen.
- Dieses Gerät darf von Kindern ab 8 Jahren und von Personen mit beschränkten geistigen, physischen oder sensorischen Fähigkeiten oder mangels Erfahrung und/oder mangels Wissen benutzt werden, vorausgesetzt, sie werden aufmerksam beaufsichtigt oder über den sicheren Gebrauch des Geräts und die damit verbundenen Gefahren eingewiesen. Sicherstellen, dass Kinder nicht mit dem Gerät spielen. Vom Benutzer auszuführende Reinigungs- und Wartungsarbeiten dürfen nicht von Kindern ausgeführt werden, sofern sie nicht dabei beaufsichtigt werden.
- Kinder müssen beaufsichtigt werden, damit sichergestellt wird, dass sie nicht am Gerät spielen.

- Dieses Gerät darf nicht von Personen (einschließlich Kindern) mit beschränkten geistigen, physischen oder sensorischen Fähigkeiten oder mangels Erfahrung und/oder mangels Wissen benutzt werden, außer sie werden aufmerksam beaufsichtigt und eingewiesen.

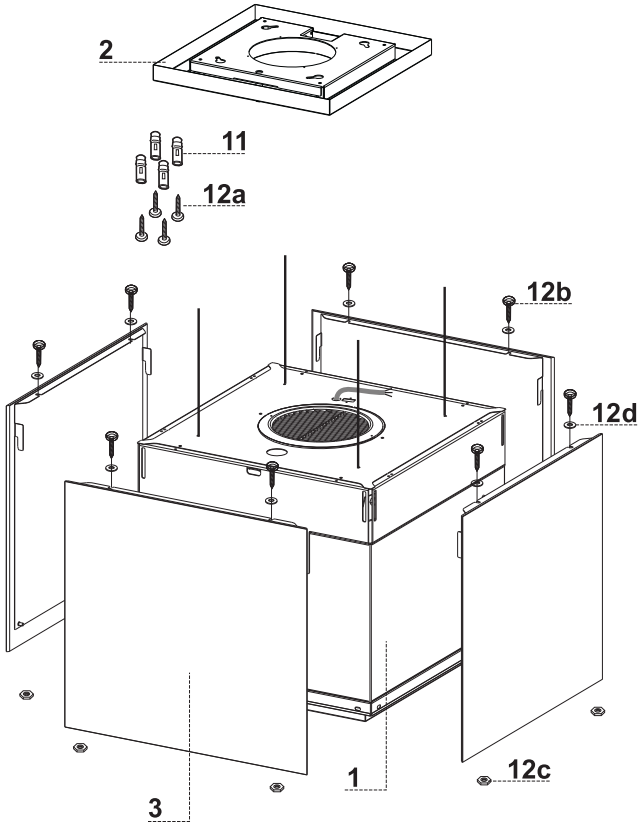
 Die frei zugänglichen Teile können während des Kochens mit Kochgeräten sehr heiß werden.

- Die Filter sind nach den angegebenen Intervallen zu reinigen und/oder zu ersetzen (Brandgefahr). Siehe Absatz Wartung und Reinigung.
- Wenn die Abzugshaube gleichzeitig mit Geräten verwendet wird, die Gas oder andere Brennstoffe benutzen, muss im Raum eine ausreichende Belüftung vorhanden sein (gilt nicht für Geräte, die nur Luft in den Raum ablassen).

- Schutzschild bei Rissbildung ersetzen. Das Symbol  am Produkt oder auf der Verpackung weist darauf hin, dass das Gerät nicht als normaler Hausmüll entsorgt werden darf. Das ausrangierte Gerät muss vielmehr bei einer speziellen Sammelstelle für elektrische und elektronische Geräte abgegeben werden. Mit der vorschriftsmäßigen Entsorgung des Gerätes trägt der Benutzer dazu bei, schädliche Auswirkungen auf Umwelt und Gesundheit zu vermeiden. Weitere Informationen zum Recycling dieses Produktes können bei der zuständigen Behörde, der örtlichen Abfallbeseitigung oder bei dem Händler, der das Gerät verkauft hat, eingeholt werden.



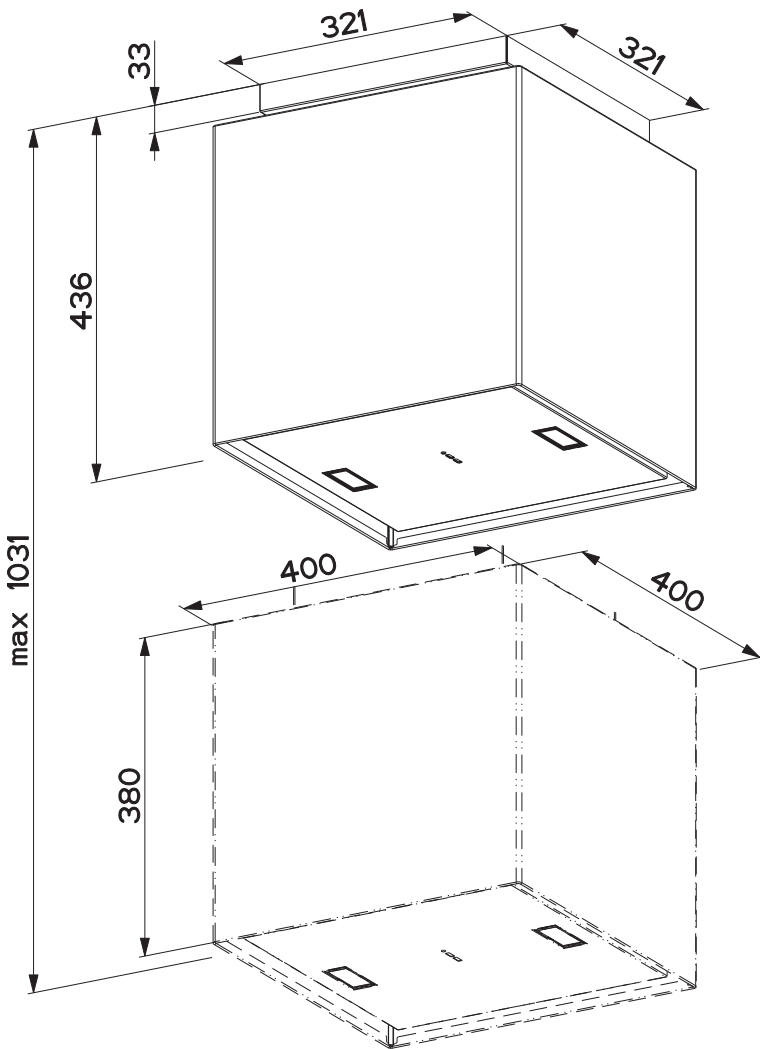
# CHARAKTERISTIKEN



## Komponenten

Bez. Menge Produktkomponenten		
1	1	Haubenkörper, komplett mit: Bedienelemente, Beleuchtung, Filter, Motor
2	1	Platte der Haubenthalterung
3	4	Glasscheibe
Bez. Menge Installationskomponenten		
11	4	Dübel $\varnothing$ 10 mm
12a	4	Schrauben 4,2 x 44,4
12b	8	Schrauben 4 x 8
12c	8	Muttern
12d	8	Unterlegscheiben D.4,3 x 10
Menge Dokumentation		
	1	Betriebsanleitung

## Platzbedarf



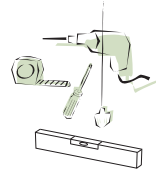
# MONTAGE

Diese Haube ist für die Installation an einer Decke/Konsole über (Mindestabstand 650 mm) einer Kochinsel vorbereitet:

- **Abluftversion:** Abluftleitung nach Außen.
- **Umluftversion:** Innere Rezirkulation.

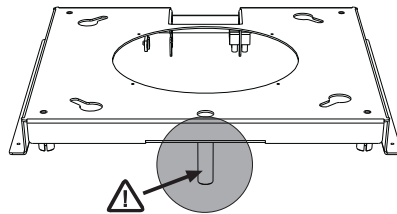
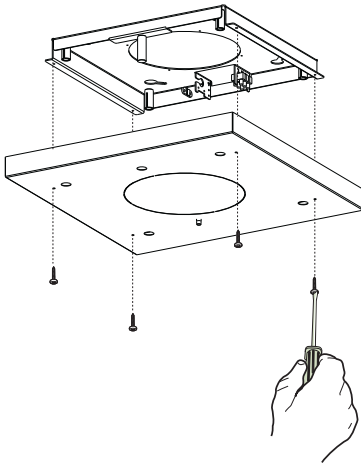
## Sequenz der Installationsarbeiten

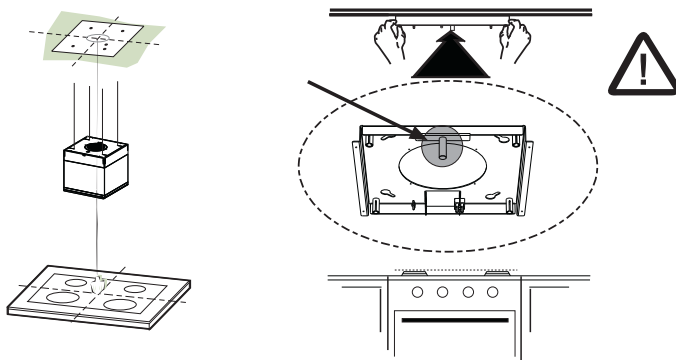
- Vorbereitung zur Installation.
- Bohren von Decke/Konsole und Befestigung der Halteplatte
- Anschlüsse
- Montage des Haubenkörpers
- Funktionskontrolle
- Entsorgung des Verpackungsmaterials



## Öffnen der Platte und Vorbereitung für die Montage

- Die Schrauben lösen, welche die Platte mit ihrer Abdeckung verbinden.
- Die Platte zur Hand nehmen und in der in der Abbildung gezeigten Richtung positionieren. Die Sperrklinke muss frontal zum Installateur verbleiben.





## Bohren von Decke/Konsole und Befestigung der Platte

### BOHREN VON DECKE/KONSOLE

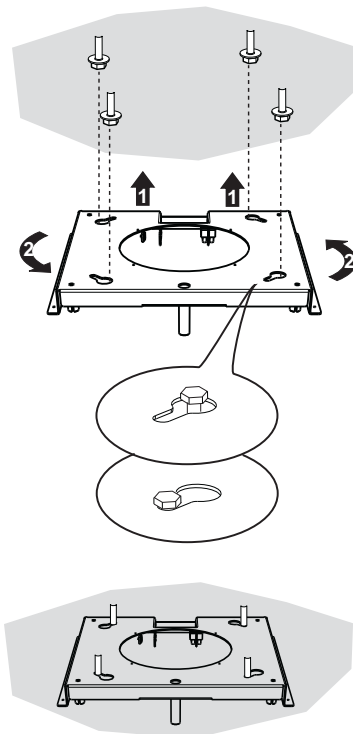
- Mit Hilfe eines Lotfadens an Decke/Haltekonsole die Mitte des Kochfelds anzeichnen.
- Die Platte in der korrekten Einbaurichtung an der Decke/Konsole anlegen.
- Die Mitte der Löcher der Platte markieren.
- Die folgenden Punkte bohren:
  - Decke aus Massivbeton: je nach den verwendeten Betondübeln.
  - Decke aus Hohlziegeln mit 20 mm fester Stärke: Mit  $\varnothing$  10 mm bohren (sofort die mitgelieferten Dübel **11** einsetzen).
  - Decke aus Holzträgern: je nach den verwendeten Holzschrauben (nicht mitgeliefert).
  - Holzkonsole mit 15 mm fester Stärke:  $\varnothing$  7 mm bohren.
  - Stromkabeldurchgang:  $\varnothing$  10 mm bohren.
  - Luftaustritt (Abluftversion): je nach Durchmesser der Verbindung mit der Abluftleitung nach Außen.
- Zwei Schrauben über Kreuz einschrauben und 4-5 mm Abstand von der Decke belassen:
  - für Massivbeton, Betondübel, nicht mitgeliefert.
  - für Hohlziegel mit circa 20 mm fester Stärke, Schrauben **12a**, mitgeliefert.
  - für Holzträger, Holzschrauben, nicht mitgeliefert.
  - für Holzkonsole, Schrauben mit Unterlegscheiben und Muttern, nicht mitgeliefert.

## BEFESTIGUNG DER PLATTE

- Die Platte anheben, die Langlöcher an den zwei zuvor an der Decke angebrachten Schrauben einhängen und bis zur Mitte der Einstelllöse drehen.

**Achtung:** Die Einbaurichtung der Platte muss wie in der Abbildung gezeigt sein.

- Die beiden Schrauben festziehen und die beiden anderen mitgelieferten Schrauben einschrauben. Bevor die Schrauben endgültig festgezogen werden, kann durch Drehen des Teils reguliert werden, wobei darauf zu achten ist, dass die Schrauben nicht aus den Einstelllösen fallen.
  - Die Befestigung muss entsprechend des Gewichts der Haube und den Belastungen durch seitliche Stoßeinwirkungen auf das installierte Gerät sicher fixiert werden. Nach erfolgter Befestigung sicherstellen, dass die Platte stabil ist.
  - In allen Fällen, in denen die Decke am Aufhängepunkt nicht robust genug sein sollte, muss der Installateur sie durch Platten und Konterplatten verstärken, die an stabilen Strukturteilen verankert werden.
- 
- Die Nivellierung der Platte an der Decke kontrollieren.



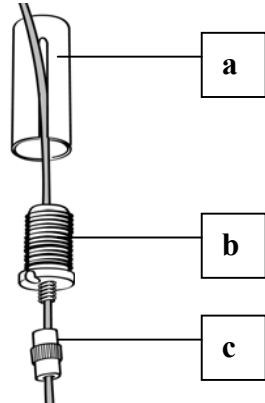
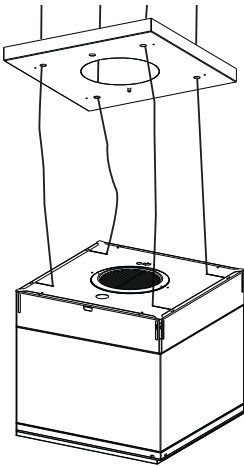
## VERBINDUNG DER SEILE ZWISCHEN HAUBE UND PLATTE

**NB:** Vor der Installation muss die Haube mit Hilfe einer Stütze oder einer zweiten Person auf eine Höhe von mindestens 650 mm vom Kochfeld gebracht werden. Darauf achten, dass die in der bemaßten Zeichnung angegebene max. Extension der Haube nicht überschritten wird.

⚠ Diese Maßnahme ist sehr wichtig, weil das Gewicht der Haube beim Verbinden der Seile mit der an der Decke montierten Platte keinesfalls auf der Struktur lasten darf.

Das System zur Befestigung der 4 Kabel besteht aus 3 Teilen:

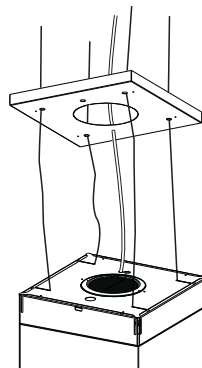
- Sperrklinke mit Gewinde (a), die bereits an der Deckenplatte montiert ist.
- Kabelklemmschraube (b), im Lieferumfang enthalten.
- Sicherheitsknauf (c), im Lieferumfang enthalten.



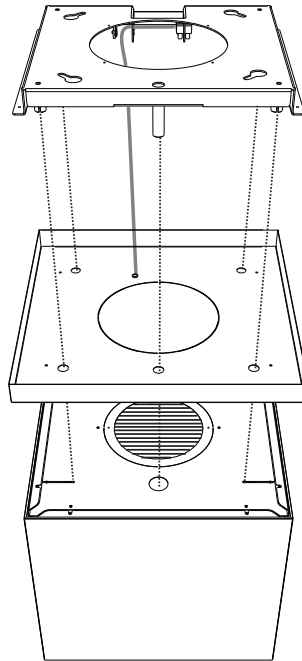
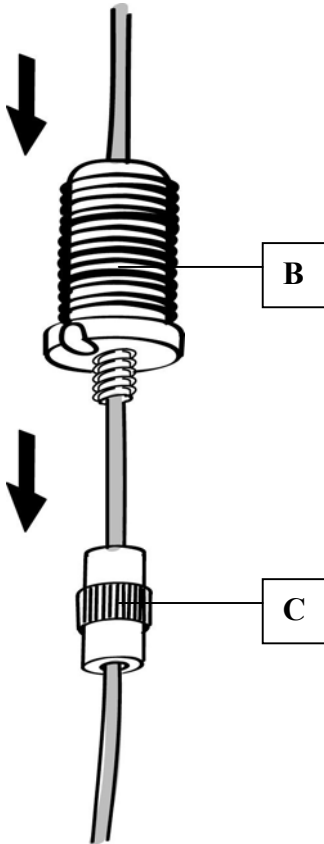
- Die 4 am Haubenkörper eingehängten Kabel durch die entsprechenden Löcher an der zuvor ausgebauten Abdeckung der Platte führen, wobei darauf zu achten ist, dass die Richtung gleich ist wie die der an der Decke eingehängten Platte.

- Das Stromkabel der Haube durch das Loch an der Abdeckung stecken.

**Achtung:** Der Kabelbinder, mit dem das Stromkabel an der Haube befestigt ist, darf nicht beschädigt oder entfernt werden.

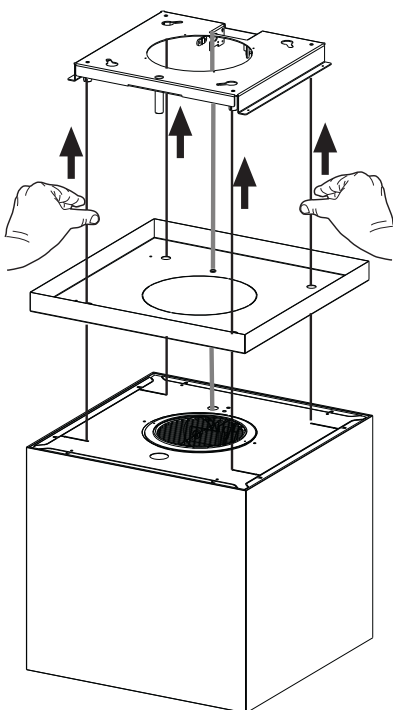
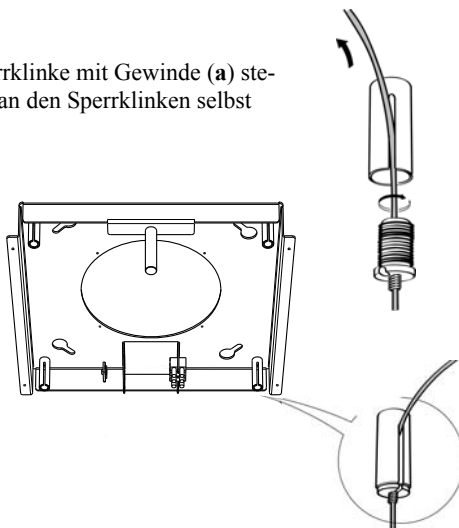


- Auf die Richtung der an der Decke befestigten Platte achten (ein entsprechendes Loch der Sperrklinke des Endanschlags der Platte findet sich an der Abdeckung der Platte und am Hau-benkörper).



- Die Sicherheitsknäufe (c) mit nach oben zeigendem Gewinde auf die entsprechenden Seile stecken.
- Die Klemmschrauben (b) auf die entsprechenden Seile aufstecken.

- Die Kabel durch die Langlöcher der Sperrklinke mit Gewinde (a) stecken und die Kabelklemmschrauben (b) an den Sperrklinken selbst festschrauben.
- Das Ergebnis dieser Operation muss bei allen 4 Kabeln wie abgebildet aussehen.



- Damit sind alle 4 Kabel an die Platte angeschlossen.

**Die Kabel spannen, in dem sie nach oben geschoben werden, so dass sie in der Kabelklemmschraube und aus dem Langloch der Sperrklinke mit Gewinde gleiten.**

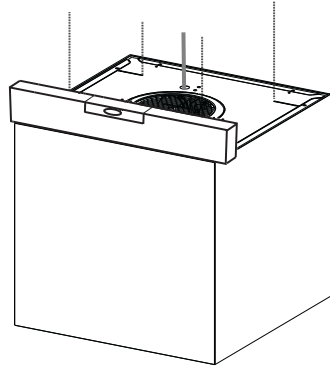
**Dies ist möglich, weil die Kabelklemmschraube über ein System verfügt, welches das Gleiten des Kabels in ihrem Innern in nur eine Richtung erlaubt, während das Gleiten in die andere Richtung unterbunden wird.**

**Sicherstellen, dass alle Kabel gleich lang sind, damit die abschließende Nivellierung erleichtert wird, und das Seil vorne links nicht weniger gespannt ist als die anderen.**



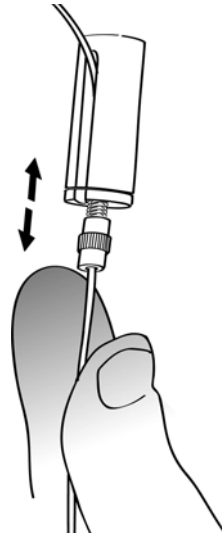
## NIVELLIEREN DER ABZUGSHAUBE

- Der Haubenkörper muss nivelliert werden.
- Die Nivellierung der Haube erfolgt durch Einwirken auf die Sicherheits-Sperrklinke C.



- Eine Wasserwaage auf die Haube legen.

- Die Sicherheitsknäufe nach oben drücken, so dass das Kabel beweglich wird. Durch Hin- und Herschieben des Kabels in der Kabelklemmschraube kann der bewegliche Körper der Haube nivelliert werden.
- Nachdem die Haube nivelliert wurde, die Sicherheitsknäufe wieder festschrauben.



### Achtung:

- Sicherstellen, dass alle 4 Halteseile gespannt sind.
- Kontrollieren, ob die 4 Halteseile während der Installation beschädigt wurden.
- Der Mindestabstand zwischen Haube und Kochfeld soll 650 mm betragen. Darauf achten, dass die in der bemaßten Zeichnung angegebene max. Extension der Haube nicht überschritten wird.

## **Anschlüsse**

---

### **LUFTAustrITT BEI DER ABLUFTVERSION**

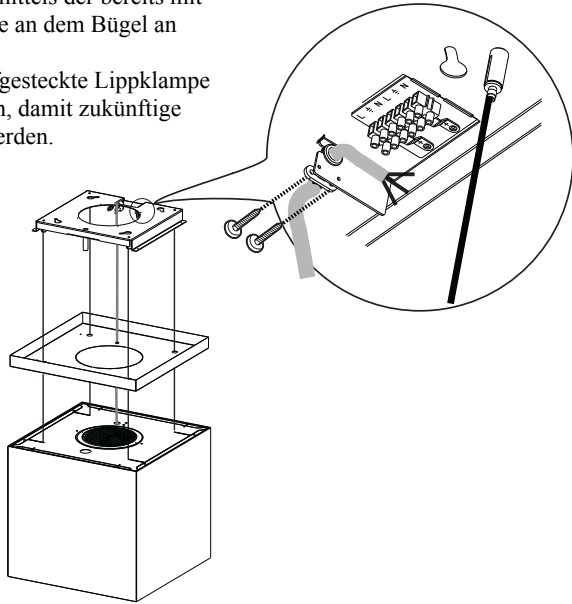
Für die Installation der Ablufthaube wird auf die Anleitungen verwiesen, die im spezifischen Abluft-Bausatz für die Haube enthalten ist.

### **LUFTAustrITT BEI DER FILTERVERSION**

- Die Beleuchtungseinheit öffnen, indem sie zur entsprechenden Kerbe gezogen wird
- Entfernen Sie die Fettfilter
- Sicherstellen, ob Aktivkohlefilter zur Geruchsbindung vorhanden sind.

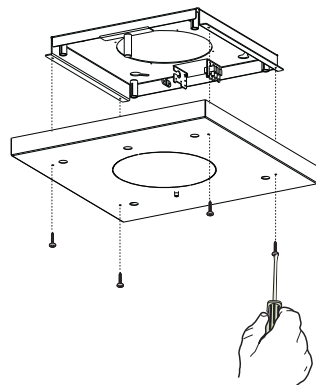
## BEFESTIGUNG DES STROMKABELS

- Das Stromkabel spannen und mittels der bereits mit 2 Schrauben montierten Lasche an dem Bügel an der Deckenplatte befestigen.
- Die bereits am Stromkabel aufgesteckte Lipplampe aus Gummi an der Öse fixieren, damit zukünftige Beschädigungen vermieden werden.
- Beim Anschließen der Haube einen zweipoligen Schalter mit einer Öffnung der Kontakte von mindestens 3 mm zwischenschalten.
- Die Fettfilter ausbauen (siehe Absatz "Wartung") und sicherstellen, dass der Verbinder des Stromkabels richtig in die Buchse des Abzugs eingesteckt ist.
- Jetzt kann der Kabelbinder aufgeschnitten werden, die das Stromkabel am Haubenkörper fixiert.



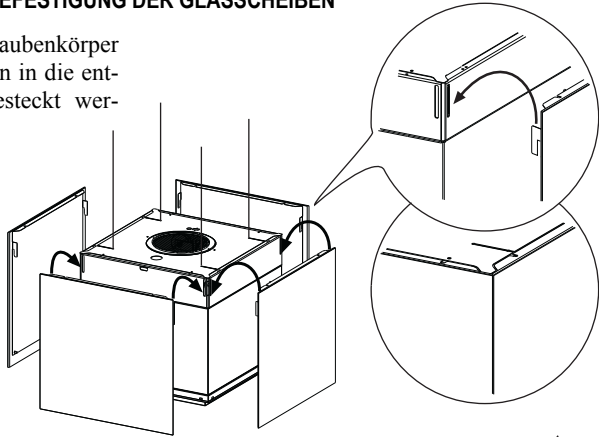
## MONTAGE DER PLATTENABDECKUNG

- Die Abdeckung mit den zuvor ausgebauten Schrauben wieder an der Platte anschrauben.

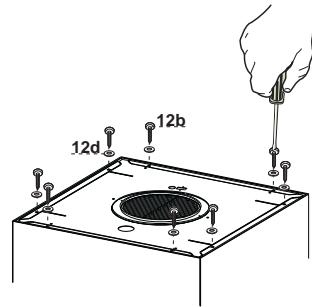


## BEFESTIGUNG DER GLASSCHEIBEN

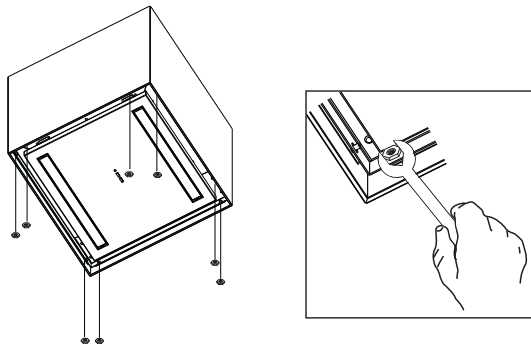
- Die 4 Glasscheiben am Haubenkörper einhängen, indem die Rippen in die entsprechenden Langlöcher gesteckt werden.
- Die 4 Glasscheiben mit Hilfe kleiner Korrekturen von Hand nivellieren.



- Die 4 Glasscheiben mit den mitgelieferten Schrauben **12b+12d** von oben befestigen, wobei darauf zu achten ist, dass sie miteinander nivelliert bleiben.



- Die 4 Glasscheiben mit den mitgelieferten Muttern **12b** von unten definitiv befestigen, wobei darauf zu achten ist, dass sie miteinander nivelliert bleiben.

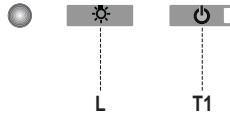


### Achtung

Kontrollieren, ob die Glasscheiben der Haube perfekt nivelliert und ausgerichtet sind. Sollte dies nicht der Fall sein, können durch Lockern der Muttern **12c** oder der Schrauben **12b** kleine Justierungen durchgeführt werden, so dass die Glasscheiben perfekt miteinander nivelliert werden.

# BEDIENUNG

## Schalttafel



Taste	Funktion	Display
L	Schaltet die Leuchtkörper ein oder aus.	-
T1	<b>Haube unten:</b> Mit 2 Sekunden langem Drücken wird die Haube angehoben. Ein kurzes Antippen schaltet den Motor ein oder aus.	Ein/Aus
	<b>Haube oben:</b> Einmal Drücken: Die Haube wird abgesenkt. Mit zweitem Drücken: Die Haube hält an. Nachdem die Bewegung abgeschlossen ist, schaltet sich der Motor bei der 2. Geschwindigkeit ein.	Aus/Aus

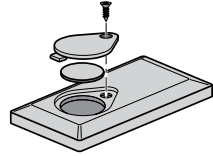
### Die Elektronik erkennt zwei Arten von Anomalien und gibt die entsprechende Meldung

LED T1	
Langsames Blinken	<b>Überschreiten der Stromaufnahme-Schwelle:</b> Im Falle einer Überlastung wird die Anomalie mittels Blinken in Abständen von 2 Sekunden der LED T1 an der Tastatur gemeldet. Sicherstellen, dass die Bewegung der Haube nicht durch Hindernisse behindert wird. Diese Meldung bleibt bis zu einer erneuten Öffnungs- oder Schließsteuerung aktiv.
	<b>Auslösen des Sicherheits-Mikroschalters während des Öffnens:</b> Im Falle des Auslösens des Sicherheits-Mikroschalters wird die Anomalie mittels schnellem Blinken (alle 250 ms) der LED T1 gemeldet, was bedeutet, dass die Haube den Endanschlag überschritten hat..... <b>Den Technischen Kundendienst hinzuziehen!</b> Während dieser Anomalie kann stets auf die Funktionen der Haube (Beleuchtung und Motor) zugegriffen werden, und wenn der Motor eingeschaltet ist, blinkt die LED T1 weiterhin, um anzuzeigen, dass die Anomalie noch vorliegt.
Schnelles Blinken	

## FERNBEDIENUNG

Dieses Gerät kann per Fernbedienung, die mit einer 3V-Batterie vom Typ CR2032 (nicht mitgeliefert) versorgt wird, bedient werden.

- Die Fernbedienung nicht in der Nähe von Wärmequellen ablegen.
- Altbatterien zum Schutz der Umwelt in Sammelboxen entsorgen.



## Schalttafel

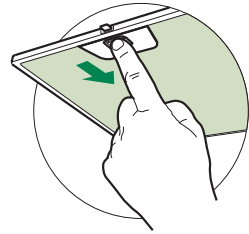


⏻	⏻	Stellt den Motor an/ab.	-
	↕	<b>Geschlossene Haube:</b> - Mit kurzem Antippen der Taste wird die Haube gesenkt - Mit nochmaligem Antippen hält die Haube an. Nachdem die Bewegung abgeschlossen ist, schaltet sich der Motor bei der 2. Geschwindigkeit ein.	-
		<b>Geöffnete Haube:</b> - Mit 2 Sekunden langem Drücken wird die Hubbewegung aktiviert, die am Endanschlag anhält. - Mit kurzem Antippen wird die Bewegung noch vor dem Endanschlag angehalten. - Ein weiteres kurzes Antippen schaltet den Motor ein oder aus. - Bei 2 Sekunden langem Drücken wird die Hubbewegung aktiviert. - Ist der Motor in Betrieb, wird zuerst er angehalten und dann die Bewegung aktiviert.	-
	%	-	-
☀		Schaltet die Beleuchtung der Haube ein oder aus.	-
⚙	⚙	<b>INTENSIVGESCHWINDIGKEIT</b> - Nur einschaltbar bei abgesenkter Haube und wenn <b>Delay</b> oder <b>24h</b> aktiv. - Aktiviert von jeder Geschwindigkeitsstufe aus die Intensivgeschwindigkeit. Um sie wieder auszuschalten, dieselbe Taste erneut drücken, oder den Motor abstellen. - Die Intensivgeschwindigkeit ist auf 6 Minuten zeitgeregelt. Nach den 6 Minuten kehrt das System automatisch zur zuvor eingestellten Geschwindigkeit zurück.	Die LED an der Motor-Taste (der Haubensteuerungen), blinkt 1 Mal pro Sekunde.
⏻	⌚	<b>Bei kurzem Drücken Funktion Delay:</b> Nur einschaltbar, wenn weder <b>Intensivgeschwindigkeit</b> noch <b>24h</b> aktiviert sind. Aktiviert und deaktiviert den totalen Abschalt-Modus der Haube (Motor+Beleuchtung) nach 30 Minuten: Um das Delay zu deaktivieren, dieselbe Taste erneut drücken, oder den Motor abschalten.	Die LED an der Motor-Taste (der Haubensteuerungen), blinkt alle 0,5 Sekunden.
		<b>2 Sekunden langes Drücken Funktion 24H:</b> Nur einschaltbar, wenn weder <b>Intensivgeschwindigkeit</b> noch <b>Delay</b> aktiviert sind. Aktiviert und deaktiviert die 24h-Funktion während 24 Stunden jede Stunde für 10 Minuten. Nach Ablauf der Zeit wird die Funktion deaktiviert.	Die LED an der Motor-Taste (der Haubensteuerungen), blinkt alle 2 Sekunden.
+		Erhöht die Motordrehzahl.	-
-		Verringert die Motordrehzahl.	-

# REINIGUNG UND WARTUNG

## Metallfettfilter

Der Filter sollte mindestens alle 2 Monate von Hand oder in der Spülmaschine gewaschen werden, bei intensiver Nutzung auch öfter.



### REINIGUNG DES METALLFETTFILTERS

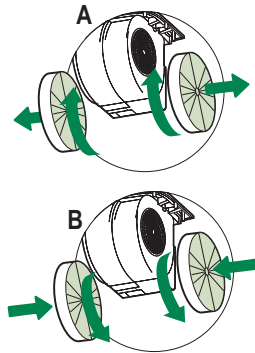
- Die Beleuchtungseinheit öffnen, indem sie zur entsprechenden Kerbe gezogen wird
- Den Filter zu dem hinteren Teil der Gruppe schieben und gleichzeitig nach unten ziehen.
- Den Filter waschen, ohne ihn zu verbiegen, und vor dem erneuten Einbau trocknen lassen.
- Nun den Filter wieder einbauen, so dass der Griff nach der äußeren Sichtseite zeigt.
- Die Beleuchtungseinheit wieder verschließen.

## Aktivkohle-Geruchsfilter (Filterversion)

Der Aktivkohlefilter ist nicht wasch- oder regenerierbar und muss mindestens alle 4 Monate oder bei sehr intensiver Nutzung auch häufiger ersetzt werden.

### AUSWECHSELN

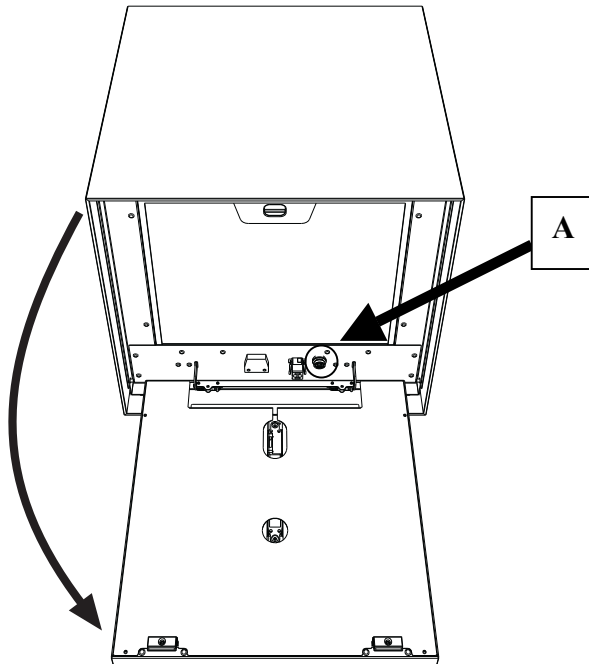
- Die Beleuchtungseinheit öffnen
- Entfernen Sie die Fettfilter
- Die verbrauchten Aktivkohle-Geruchsfilter wie gezeigt ausbauen (A).
- Die neuen Filter wie gezeigt einbauen (B).
- Den Fettfilter und die Beleuchtungseinheit wieder einbauen.



## Beleuchtung

### LED-Strahler

- Für den Austausch der LED-Strahler wenden Sie sich bitte an den Kundendienst.



### **Prozedur für den Fall von Anomalien der Bewegung**

4. Sicherstellen, dass die Sicherung korrekt eingesetzt und nicht durchgebrannt ist. Zum Auswechseln die Beleuchtungseinheit öffnen, den links von der Motoreinheit sichtbaren Sicherungshalter ausschrauben und die Sicherung durch eine gleichwertige ersetzen (Bez. A).
5. Prüfen, ob der Haubenkörper nivelliert ist (eine Wasserwaage benutzen).
6. Prüfen, ob alle vier Seile gleichmäßig gespannt sind.

Falls das Problem mit diesen Eingriffen nicht gelöst werden kann, den Technischen Kundendienst hinzuziehen.



## INFORMACIÓN DE SEGURIDAD

---

**i** Por su propia seguridad y para el correcto funcionamiento del aparato, lea atentamente este manual antes de la instalación y puesta en marcha. Guarde siempre estas instrucciones con el aparato, incluso si se cede o transfiere a un tercero. Es importante que los usuarios estén familiarizados con todas las características de funcionamiento y seguridad del aparato.

**⚠** Los cables deben ser conectados por un técnico competente.

- El fabricante no se hace responsable de ningún daño que resulte de una instalación o uso inadecuado.
- La distancia mínima de seguridad entre la placa de cocción y la campana extractora es de 650 mm (algunos modelos pueden instalarse a una altura inferior; véase la sección sobre dimensiones de trabajo e instalación).
- Si en las instrucciones de montaje de la placa de cocción a gas se indica una distancia mayor que la indicada anteriormente, debe tenerse en cuenta.
- Compruebe que la tensión de red coincide con la indicada en la placa de características del interior de la campana.
- Los dispositivos de desconexión deben instalarse en la instalación fija de acuerdo con las regulaciones para sistemas de cableado.
- Para los aparatos de la clase I, compruebe que el suministro de corriente eléctrica de la casa tiene una conexión a tierra adecuada.
- Conecte la campana a la chimenea con un tubo de un diámetro mínimo de 120 mm. El trayecto de humos debe ser lo más corto posible.
- Deben observarse todas las normas relativas al escape de aire.
- No conecte la campana extractora a los conductos de humos de combustión (p. ej. calderas, chimeneas, etc.).

- Si la campana se utiliza en combinación con equipos no eléctricos (por ejemplo, aparatos de gas), debe asegurarse un grado suficiente de ventilación en el local para evitar el retorno del flujo de gases de escape. Cuando la campana extractora se utiliza en combinación con aparatos no eléctricos, la presión negativa en el local no debe ser superior a 0,04 mbar para evitar que los humos vuelvan al local a través de la campana extractora.
- El aire no debe descargarse a través de un conducto utilizado para los gases de combustión procedentes de aparatos de combustión de gas u otros combustibles.
- Si el cable de alimentación está dañado, debe ser reemplazado por el fabricante o por un técnico de servicio.
- Conecte la clavija a una toma de corriente que cumpla la normativa vigente y sea accesible.
- En cuanto a las medidas técnicas y de seguridad a adoptar para el vertido de humos, es importante cumplir escrupulosamente las normas establecidas por las autoridades locales.


**⚠ ADVERTENCIA:** Retire la película protectora antes de instalar la campana.

- Utilice únicamente tornillos y herramientas que sean adecuados para la campana.


**⚠ ADVERTENCIA:** Si no se instalan tornillos o sujetadores de acuerdo con estas instrucciones, se puede producir una descarga eléctrica.

- No observe directamente con instrumentos ópticos (prismáticos, lupas, etc.).
- No cocine en flambeado bajo la campana: podría producirse un incendio.
- Este aparato puede ser utilizado por niños a partir de los 8 años y por personas con capacidades psico-físico-sensoriales reducidas o con una experiencia y conocimientos insuficientes, siempre que sean cuidadosamente supervisados e instruidos sobre cómo utilizar el aparato de forma segura y sobre los peligros que conlleva. Asegúrese de que los niños no jueguen con el aparato. La limpieza y el mantenimiento por parte del usuario no deben ser llevados a cabo por niños, a menos que sean supervisados.
- Supervise a los niños, asegurándose de que no jueguen con el aparato.

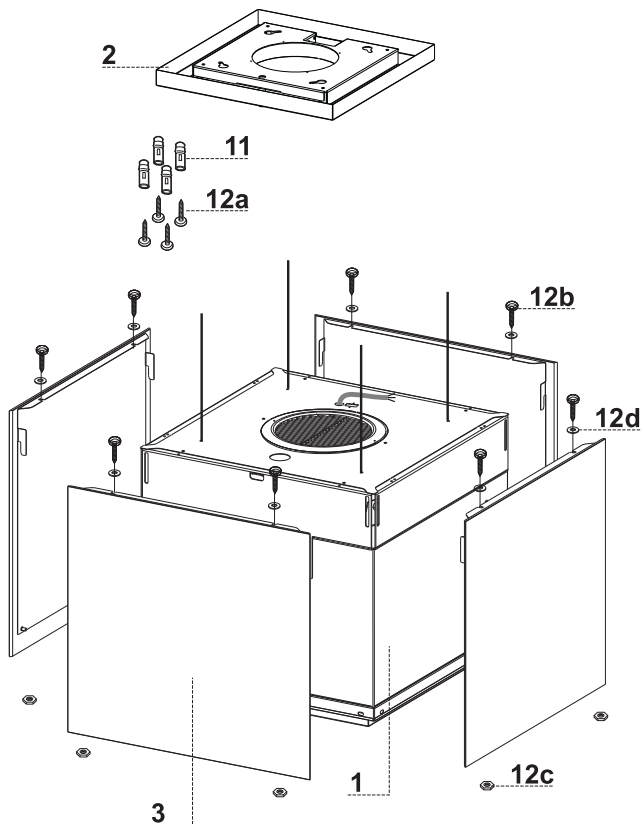
- El aparato no debe ser utilizado por personas (incluyendo niños) con capacidades psico-físico-sensoriales reducidas o con experiencia y conocimientos insuficientes, a menos que sean cuidadosamente supervisados e instruidos.

 Las piezas accesibles pueden calentarse mucho cuando se utilizan aparatos de cocina.

- Limpie y/o reemplace los filtros después del tiempo especificado (peligro de incendio). Véase el apartado Mantenimiento y limpieza.
- Deberá preverse una ventilación adecuada en el espacio cuando la campana extractora de humos se utilice junto con aparatos que utilicen gas u otros combustibles (no aplicable a los aparatos que sólo descargan aire en el local).

- El símbolo  en el producto o en su embalaje indica que este producto no debe desecharse como residuo doméstico normal. Tenga en cuenta que el producto a eliminar debe recogerse en un punto de recogida adecuado para el reciclaje de componentes eléctricos y electrónicos. Al asegurarse de que este producto se deseché correctamente, ayudará a evitar las posibles consecuencias negativas para el medio ambiente y la salud que podrían derivarse de una eliminación inadecuada de este producto. Para obtener información más detallada sobre el reciclaje de este producto, póngase en contacto con el Municipio, el servicio local de eliminación de residuos o la tienda donde adquirió el producto.

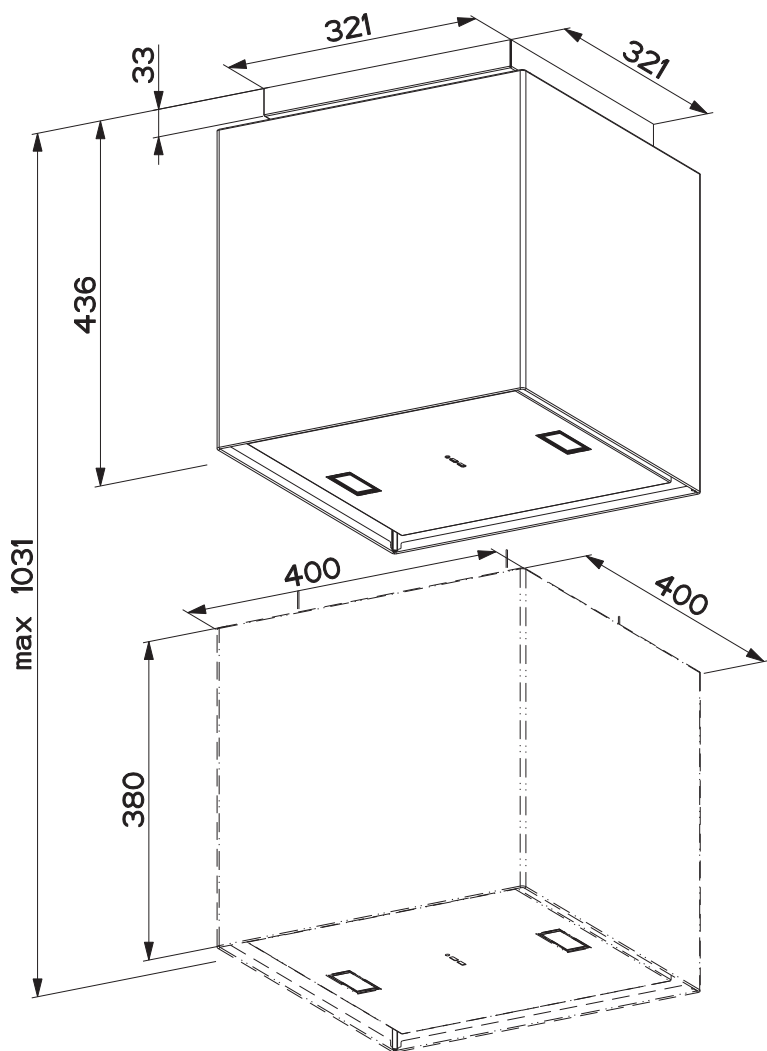
# CARACTERÍSTICAS



## Componentes

Ref.	Cant.	Componentes de producto
1	1	Cuerpo campana dotado de: mandos, luz, filtros, motor.
2	1	Placa de soporte campana
3	4	Vidrios
Ref.	Cant.	Componentes de instalación
11	4	Tacos $\varnothing$ 10
12a	4	Tornillos 4,2 x 44,4
12b	8	Tornillos 4 x 8
12c	8	Tuercas
12d	8	Arandelas D.4,3 x 10
Cant.		Documentación
	1	Manual de instrucciones

## Dimensiones



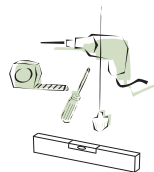
# INSTALACIÓN

Esta campana está predispuesta para ser instalada en techo/repisa, sobre (650 mm mín.) un plano de cocción de isla en:

- **Versión aspirante:** evacuación externa.
- **Versión filtrante:** recirculación interna.

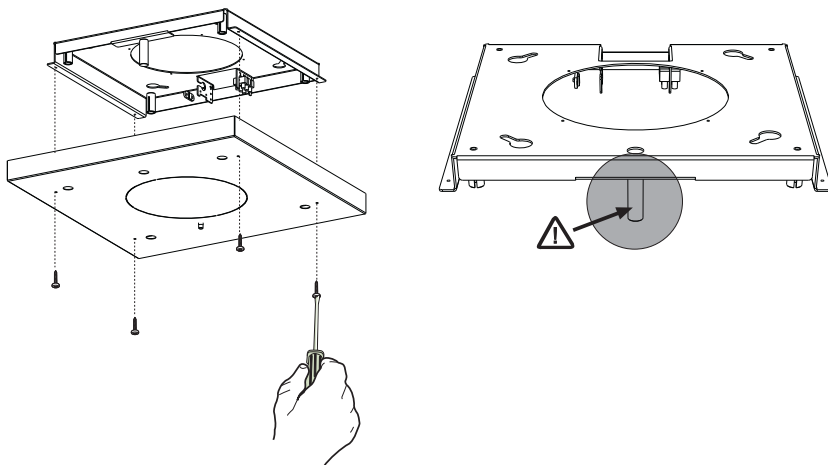
## Secuencia operaciones de instalación

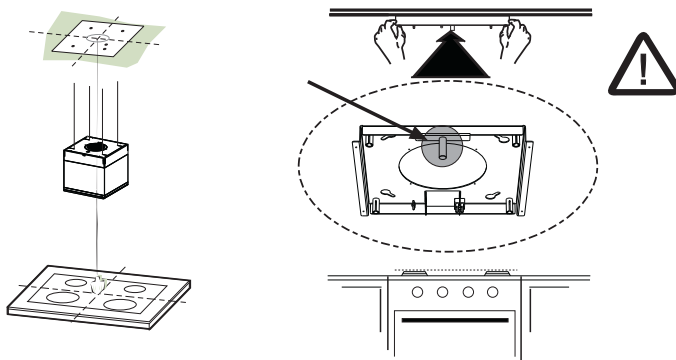
- **Preparación a la instalación**
- **Perforación techo/repisa y fijación placa de soporte**
- **Conexiones**
- **Montaje del cuerpo campana**
- **Control funcional**
- **Eliminación embalajes**



## Apertura de la placa y preparación para el montaje

- Destornillar los tornillos que unen la placa a su cubierta.
- Tomar la placa y colocarla en el sentido correcto como se indica en la figura. El pasador fin de carrera debe estar en posición frontal respecto al instalador.





## Perforación techo/repisa y fijación placa

### PERFORACIÓN TECHO/REPISA

- Con la ayuda de un hilo de plomada marcar en el techo/repisa de soporte el centro del plano de cocción.
- Apoyar al techo/repisa la placa poniendo atención en posicionarla en el sentido justo, como se indica en la figura.
- Marcar los centros de los orificios de la placa.
- Perforar los siguientes puntos:
  - Techo de hormigón macizo: según tacos para hormigón empleados.
  - Techo de ladrillos con cámara de aire, con espesor resistente de 20 mm: perforar  $\varnothing$  10 mm (insertar inmediatamente los tacos **11** en dotación).
  - Techo de armazón de madera. según tornillos para madera empleados (no suministrados).
  - Repisa de madera, con espesor resistente de 15 mm: perforar  $\varnothing$  7 mm.
  - Paso del cable eléctrico de alimentación: perforar  $\varnothing$  10 mm.
  - Salida aire (versión aspirante): según diámetro de la conexión a la tubería de evacuación externa.
- Atornillar, cruzándolos y dejando 4-5 mm desde el techo, dos tornillos:
  - para hormigón macizo, tacos para hormigón, no en dotación.
  - para ladrillos con cámara de aire, con espesor resistente de 20 mm aproximadamente, tornillos **12a**, en dotación.
  - para armazón de madera, tornillos para madera, no en dotación.
  - para repisa de madera, tornillos con arandelas y tuercas no en dotación.

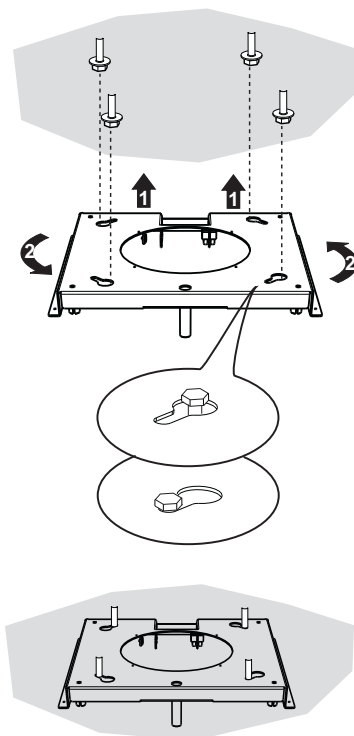
## FIJACIÓN DE LA PLACA

- Levantar la placa de fijación, encastrar los ojales en los dos tornillos predispuestos precedentemente en el techo y girar hasta el centro del ojal de regulación.

**Atención:** el sentido de la placa debe ser como aquél indicado en la figura.

- Apretar los dos tornillos y atornillar los otros dos en dotación, antes de apretar definitivamente los tornillos es posible efectuar regulaciones girando la pieza, cuidando que los tornillos no salgan del asiento del ojal de regulación.
- La fijación debe ser segura considerando tanto el peso de la campana como los esfuerzos causados por empujes laterales ocasionales al aparato montado. Una vez que se ha efectuado la fijación, verificar que la placa quede estable.
- En todos los casos en que el techo no sea lo suficientemente robusto en el punto de suspensión, el instalador deberá proceder a robustecerlo con oportunas placas y contraplacas ancladas a partes estructuralmente resistentes.

- Verificar la nivelación de la placa del techo.





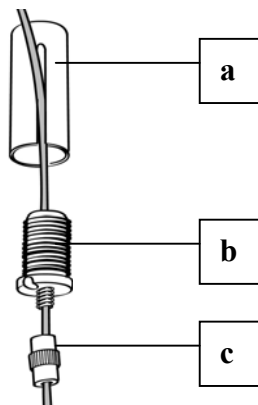
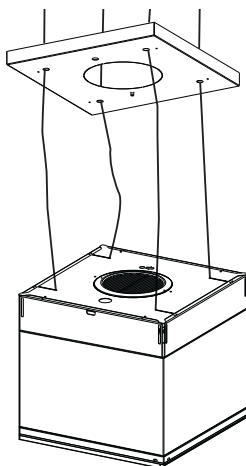
## CONEXIÓN CABLES CAMPANA-PLACA

**Nota.:** Antes de seguir con la instalación es necesario llevar la campana a la altura de por lo menos 650mm desde el plano de cocción con un soporte o con la ayuda de una segunda persona. Atención a no superar la cota máxima de extensión de la campana indicada en el esquema dimensional.

⚠ Esta precaución es fundamental en cuanto iremos a conectar los cables de la campana a la placa montada en el techo **necesariamente** sin tener el peso de la campana que se cargue sobre la estructura.

El sistema de fijación de los 4 cables está formado por 3 partes:

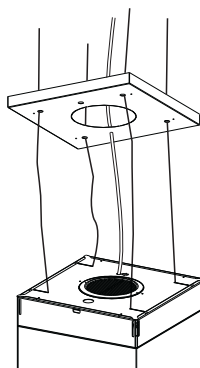
- Pasador roscado (a) ya montado en la placa de techo.
- Tornillo bloqueacable (b) en dotación.
- Perilla de seguridad (c) en dotación.



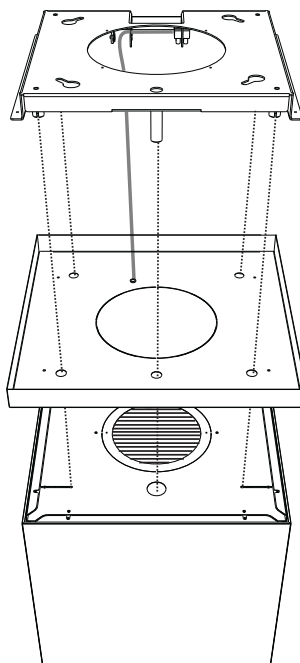
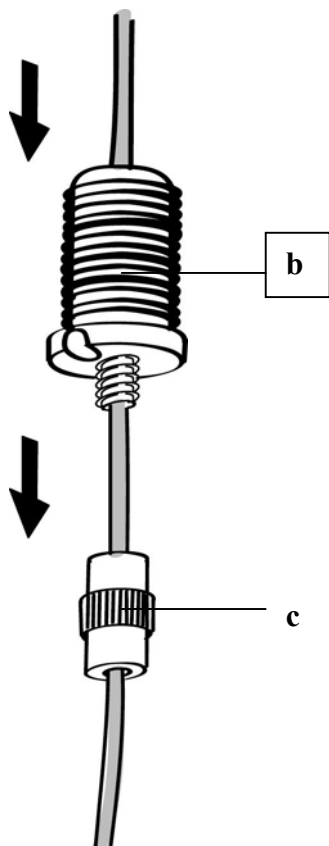
- Pasar los 4 cables (enganchados al cuerpo de la campana) por los respectivos orificios de la cubierta de la placa precedentemente desmontada, prestando atención a que el sentido sea el mismo de la placa enganchada al techo.

- Introducir el cable de alimentación de la campana en el orificio predispuesto de la cubierta.

**Atención: no romper ni quitar la abrazadera que fija el cable de alimentación a la campana**



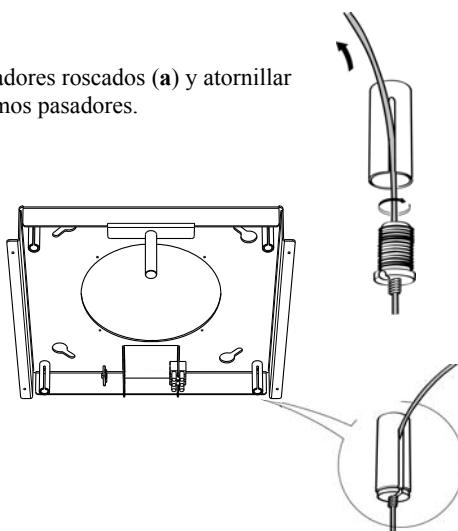
- Poner atención al sentido de la placa fijada en el techo (el pasador fin de carrera de la placa tiene su orificio correspondiente en la cubierta de la placa y en el cuerpo de la campana).



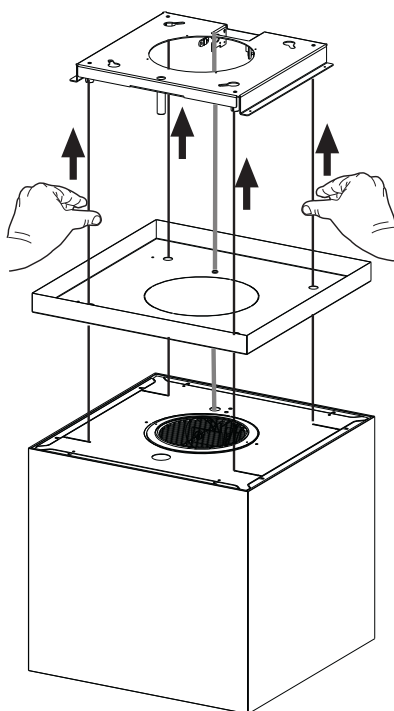
- Introducir las perillas de seguridad (c) en los respectivos cables con el roscado hacia lo alto.
- Introducir los tornillos bloqueacable (b) en los respectivos cables.

- Pasar los cables por los ojales de los pasadores roscados (a) y atornillar los tornillos bloqueacable (b) en los mismos pasadores.

- Una vez terminada la operación el resultado debe ser como se indica en la figura para los 4 cables.



- Una vez llegados a este punto tenemos los 4 cables conectados a la placa.



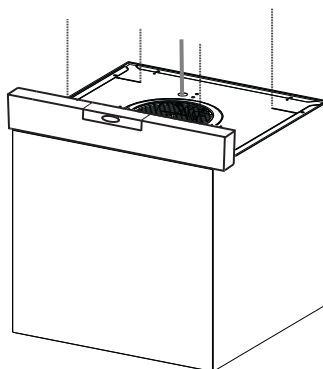
**Poner en tensión los cables empujándolos hacia lo alto de manera que se desplacen dentro del tornillo bloqueacable y fuera del ojal del pasador roscado.**

**Esto es posible porque el tornillo bloqueacable tiene un sistema que permite el desplazamiento del cable en su interior en un solo sentido bloqueando el desplazamiento en el sentido contrario.**

**Poner atención a que los cables tengan todos la misma longitud para facilitar la operación de nivelación final, y el cable delantero izquierdo no debe estar más aflojado que los demás.**

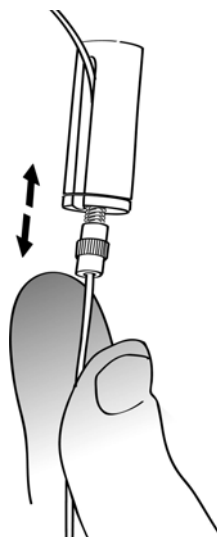
## NIVELACIÓN DE LA CAMPANA

- Es necesario efectuar la nivelación del cuerpo de la campana.
- La nivelación de la campana se efectúa operando en los pasadores de seguridad C.



- Apoyar un nivel en la campana.

- Ejerciendo una presión, hacia lo alto, en las perillas de seguridad se “desbloquea” el movimiento del cable. Insertando o extrayendo el cable desde el tornillo bloqueable es posible efectuar las regulaciones que permiten la nivelación del cuerpo móvil de la campana.
- Una vez que se ha nivelado a medida la campana, hay que apretar las perillas de seguridad.



### Atención:

- **Comprobar que los 4 cables de soporte estén en tensión.**
- **Comprobar que los 4 cables de soporte no hayan sufrido daños durante la instalación.**
- **Hay que recordar que la distancia mínima entre la campana y el plano de cocción debe ser de 650 mm y poner atención a no superar la cota máxima de extensión de la campana indicada en el esquema dimensional.**

## **Conexiones**

---

### **SALIDA AIRE VERSIÓN ASPIRANTE**

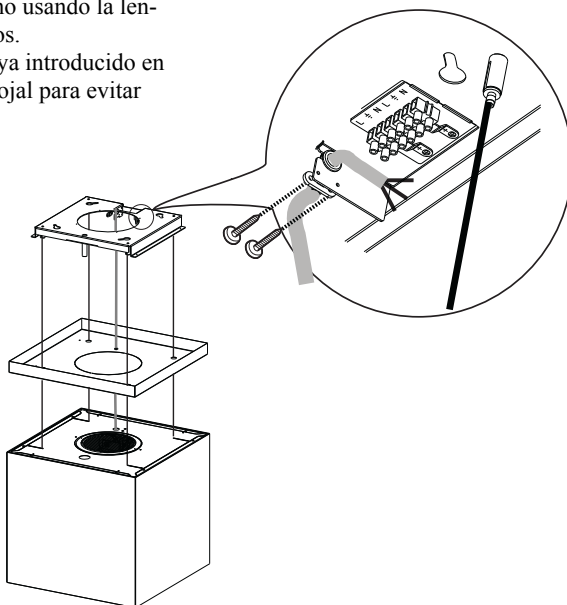
Para la instalación de la campana en versión aspirante tomar como referencia las instrucciones contenidas en el kit aspirante específico para la campana.

### **SALIDA AIRE VERSIÓN FILTRANTE**

- Abrir el grupo iluminación tirándolo en la muesca específica.
- Quitar el filtro antigrasa.
- Comprobar la presencia de los filtros antiolor al carbono activo.

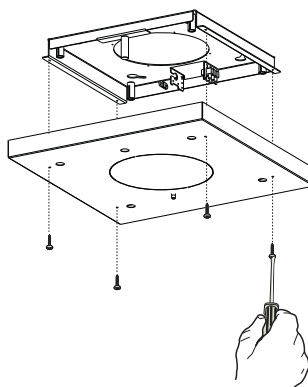
## FIJACIÓN DEL CABLE DE ALIMENTACIÓN

- Poner en tensión el cable de alimentación y fijarlo a la brida en la placa del techo usando la lengüeta ya montada con 2 tornillos.
- Insertar el pasacable de goma, ya introducido en el cable de alimentación, en el ojal para evitar daños futuros.
- Conectar la campana a la alimentación de red interponiendo un interruptor bipolar con una apertura de los contactos de por lo menos 3 mm
- Quitar los filtros antigrasa (ver párr. «Mantenimiento») y comprobar que el conector del cable de alimentación esté correctamente insertado en la toma del aspirador.
- Ahora podemos cortar la abrazadera que bloquea el cable de alimentación al cuerpo de la campana.



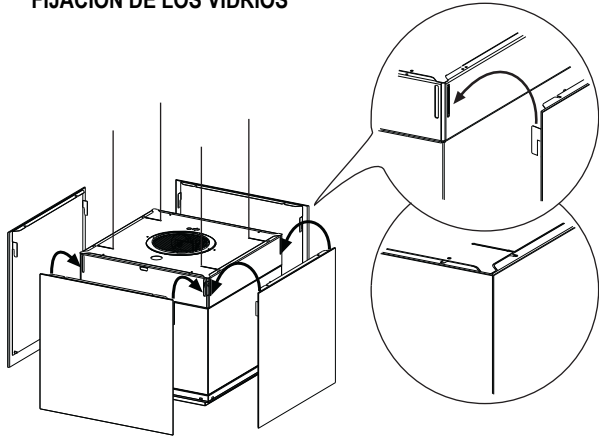
## MONTAJE DE LA CUBIERTA DE LA PLACA

- Atornillar nuevamente la cubierta a la placa con los tornillos quitados antes.

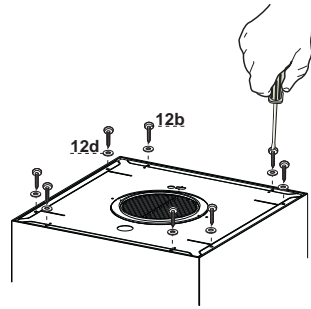


## FIJACIÓN DE LOS VIDRIOS

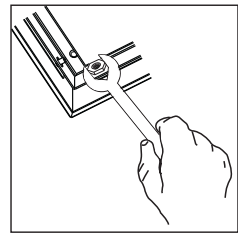
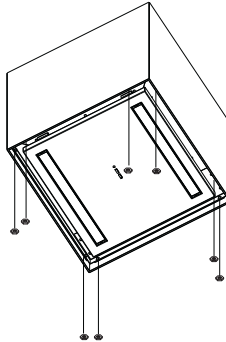
- Enganchar los 4 vidrios al cuerpo de la campana introduciendo las aletas en los ojales dispuestos.
- Nivelar los 4 vidrios manualmente efectuando pequeños ajustes en los mismos.



- Fijar desde arriba los 4 vidrios con los tornillos **12b+12d** en dotación tratando de mantener la nivelación entre los mismos.



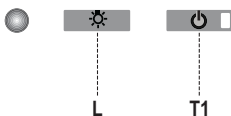
- Fijar definitivamente desde abajo los 4 vidrios con las tuercas **12c** en dotación, tratando de mantener la nivelación entre los mismos.



### Atención

Comprobar que los vidrios de la campana estén perfectamente alineados y nivelados. De no ser así, es posible realizar algunos ajustes aflojando las tuercas **12c** o los tornillos **12b** en modo tal que moviéndolos, los vidrios se alineen perfectamente.

## Tablero de mandos



Tecla	Función	Display
L	Enciende/Apaga las luces.	-
T1	<b>Campana baja</b> Presionada por 2 segundos eleva la campana. Presionado brevemente On/Off motor.	Encendido/Apagado
	<b>Campana baja</b> Primera presión: la campana baja. Segunda presión: Stop campana Una vez terminado el movimiento el motor se enciende a la segunda velocidad.	Apagado/Apagado

### La electrónica reconoce dos tipos de anomalías y procede a dar la relativa señalización

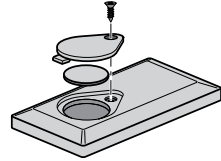
Led T1	
Parpadeo lento	<b>Superación del umbral de absorción corriente:</b> En el caso se verifique una condición de sobrecarga, se señala la anomalía mediante el parpadeo cada 2 segundos del led <b>T1</b> en el teclado. Verificar que no hayan impedimentos durante el movimiento de la campana. Esta señalización permanece activa hasta un nuevo mando de apertura/cierre de la campana.
	<b>Intervención del micro de seguridad en la fase de apertura:</b> En el caso de intervención del micro de seguridad, la anomalía es señalizada por el led <b>T1</b> que parpadea rápidamente (cada 250ms) lo cual significa que la campana ha superado el fin de carrera..... <b>Ponerse en contacto con la Asistencia Técnica!</b> Durante esta anomalía siempre es posible acceder a las funciones de la campana (luz y motor) y en el caso de motor encendido el led <b>T1</b> seguirá parpadeando señalando que la anomalía aún está presente.
Parpadeo veloz	



## MANDO REMOTO

Esta unidad puede ser controlada por medio de un mando remoto, alimentado por una batería de 3 V tipo CR2032 (no incluida).

- No coloque el mando remoto cerca de fuentes de calor.
- No abandone las baterías en el medio ambiente, depositelas en los contenedores previstos.



## Tablero de mandos



⏻	⏻	Enciende/Apaga el motor.	-
	↕	<b>Campana cerrada</b> - Presionando la tecla brevemente la campana comienza a bajar. - A la sucesiva presión se detiene. Una vez terminado el movimiento el motor se enciende a la 2ªv.	-
		<b>Campana abierta:</b> - Si se mantiene presionada por 2 segundos activa el movimiento para la subida que se detiene con el microinterruptor de tope. - Presionando (brevemente) se detiene el movimiento (antes del tope). - Presionando de nuevo brevemente on/off motor. - Manteniéndola presionada por 2 segundos activa el movimiento para la subida. - Si el motor está encendido, antes detiene el motor y luego pone en marcha el movimiento.	-
☹	-	-	
☀		Enciende/Apaga las luces de la campana.	-
⚙	⚙	<b>INTENSIVA</b> - Activable sólo con la campana abajo y cuando no están activos el <b>delay</b> o el <b>24h</b> . - Activa la velocidad intensiva desde cualquier velocidad. Para desconectarla basta presionar de nuevo la misma tecla o apagar el motor. - La velocidad intensiva está temporizada en 6 minutos. Al terminar los 6 minutos el sistema se vuelve automáticamente a la velocidad implementada precedentemente.	El led presente en la tecla motor (de los mandos campana) parpadea una vez por segundo.
⌚	⌚	<b>Presionada brevemente función Delay</b> Activable sólo cuando no está activa la <b>Intensiva</b> o la <b>24h</b> . Activa y desactiva la modalidad de parada total de la campana (motor + luces) después de 30 minutos. Para deshabilitar el Delay se puede presionar nuevamente la misma tecla o bien apagar el motor.	El led presente en la tecla motor (de los mandos campana) parpadea cada 0.5 segundos.
		<b>Manteniéndola presionada por 2 seg. Función 24H</b> Activable sólo cuando no está activa la <b>Intensiva</b> o el <b>Delay</b> . Activa y desactiva la función 24 por 10 minutos cada hora, por 24 horas. Al vencimiento se desactiva.	El led presente en la tecla motor (de los mandos campana) parpadea cada 2 segundos.
+		Incrementa la velocidad del motor.	-
-		Decrementa la velocidad del motor.	-

# LIMPIEZA Y MANTENIMIENTO

---

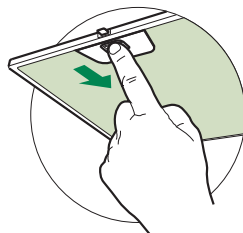
## Filtro antigrasa metálico

---

Se puede lavar en lavavajillas, y necesita ser lavado al menos cada 2 meses de uso aproximadamente o más frecuentemente, para un uso particularmente intenso.

### LIMPIEZA FILTRO ANTIGRASA METÁLICO

- Abrir el grupo iluminación tirándolo en la muesca específica.
- Quitar el filtro, empujándolo hacia la parte posterior del grupo y tirando simultáneamente hacia abajo.
- Lavar el filtro evitando doblarlo, y dejarlo secar antes de volverlo a montar.
- Montarlo nuevamente teniendo cuidado de mantener la manija hacia la parte visible externa.
- Cerrar nuevamente el grupo iluminación.



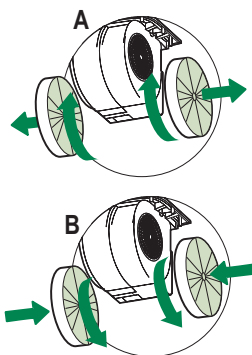
## Filtros antiolor al carbono activo (versión filtrante)

---

No se puede lavar y no es regenerable, debe sustituirse cada 4 meses de uso o más frecuentemente, para un uso particularmente intenso.

### SUSTITUCIÓN

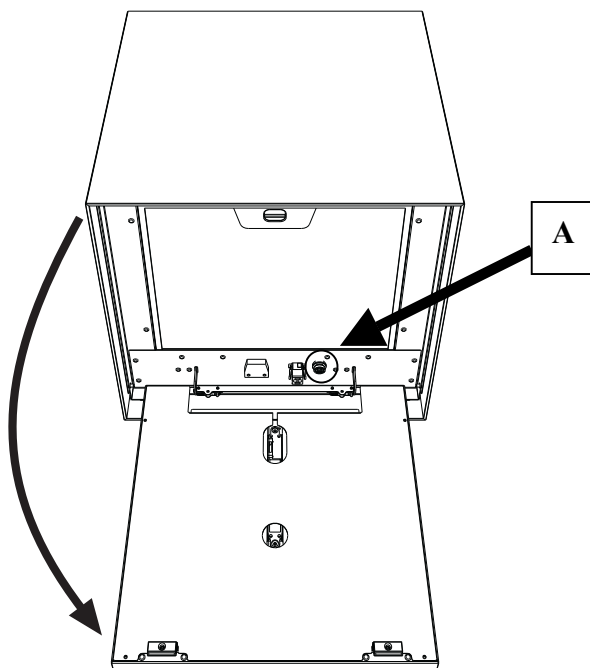
- Abrir el grupo iluminación.
- Quitar el filtro antigrasa.
- Quitar los filtros antiolor al carbono activo saturados, como se indica en (A).
- Montar los nuevos filtros, como se indica en (B).
- Montar nuevamente el filtro antigrasa y grupo iluminación.



## Iluminación

---

- Para la sustitución ponerse en contacto con la Asistencia Técnica ("Para la compra dirigirse a la asistencia técnica").



### **Procedimiento de intervención en caso de anomalías en el movimiento**

7. Verificar que el fusible esté correctamente colocado y que no esté quemado. Para una eventual sustitución del fusible, abrir el grupo de iluminación, desenroscar el portafusible que se ve a la izquierda del grupo motor y sustituirlo con uno de características iguales (Ref. A).
8. Verificar que el cuerpo de la campana esté instalado a nivel (se aconseja utilizar un nivel).
9. Verificar que los cuatro cables estén tensados de la misma manera.

Si las acciones anteriores no han resuelto el problema, contactar la Asistencia Técnica.

**i** Για τη δική σας ασφάλεια και για τη σωστή λειτουργία της συσκευής, παρακαλούμε να διαβάσετε με προσοχή τις παρούσες οδηγίες πριν την εγκατάσταση και τη θέση σε λειτουργία. Φυλάσσετε αυτές τις οδηγίες πάντα μαζί με τη συσκευή, ακόμα και σε περίπτωση μεταβίβασης σε τρίτους. Είναι σημαντικό οι χρήστες να γνωρίζουν όλα τα χαρακτηριστικά λειτουργίας και ασφάλειας της συσκευής.

**⚠** Η σύνδεση των καλωδίων πρέπει να γίνει από έναν αρμόδιο τεχνικό.

- Ο κατασκευαστής δεν μπορεί να θεωρηθεί υπεύθυνος για ενδεχόμενες ζημιές που οφείλονται σε ακατάλληλη εγκατάσταση ή χρήση.
- Η ελάχιστη απόσταση ασφαλείας μεταξύ της επιφάνειας των εστιών και του απορροφητήρα είναι 650 mm (Ορισμένα μοντέλα μπορούν να εγκατασταθούν σε μικρότερο ύψος. Ανατρέξτε στην παράγραφο με τις διαστάσεις λειτουργίας και εγκατάστασης).
- Αν οι οδηγίες εγκατάστασης της μονάδας εστιών με υγραέριο υποδεικνύουν ότι απαιτείται απόσταση μεγαλύτερη από εκείνη που αναφέρεται παραπάνω, είναι απαραίτητο να τις λάβετε υπόψη.
- Βεβαιωθείτε ότι η τάση του δικτύου αντιστοιχεί στην τιμή που αναγράφεται στην πινακίδα χαρακτηριστικών στο εσωτερικό του απορροφητήρα.
- Τα συστήματα διακοπής πρέπει να εγκατασταθούν στη μόνιμη εγκατάσταση σύμφωνα με τη νομοθεσία για τις εγκαταστάσεις καλωδίωσης.
- Για τις συσκευές Κλάσης I, βεβαιωθείτε ότι το οικιακό δίκτυο τροφοδοσίας είναι κατάλληλα γειωμένο.
- Συνδέστε τον απορροφητήρα στην καπνοδόχο με ένα σωλήνα με ελάχιστη διάμετρο 120 mm. Η διαδρομή των ατμών πρέπει να είναι όσο το δυνατόν συντομότερη.
- Πρέπει να τηρούνται όλοι οι κανονισμοί αναφορικά με την εκκένωση του αέρα.
- Μη συνδέετε τον απορροφητήρα σε αγωγούς απαγωγής καπναερίων που παράγονται από καύση (π.χ. λέβητες, τζάκια κλπ.).

- Αν χρησιμοποιείτε τον απορροφητήρα σε συνδυασμό με άλλες μη ηλεκτρικές συσκευές (π.χ. συσκευές υγραερίου), θα πρέπει να εξασφαλίσετε τον επαρκή αερισμό του χώρου ώστε να εμποδίσετε την επιστροφή των καπναερίων. Όταν ο απορροφητήρας της κουζίνας χρησιμοποιείται σε συνδυασμό με μη ηλεκτρικές συσκευές, η αρνητική πίεση του χώρου δεν πρέπει να υπερβαίνει τα 0,04 mbar έτσι ώστε να αποφεύγεται η επιστροφή των καπναερίων στο χώρο και η αναρρόφησή τους από τον απορροφητήρα.
- Ο αέρας δεν πρέπει να απάγεται μέσω ενός αγωγού που χρησιμοποιείται για την απαγωγή των καπναερίων από συσκευές καύσης που τροφοδοτούνται με αέριο ή άλλα καύσιμα.
- Το ηλεκτρικό καλώδιο, αν πάθει ζημιά, πρέπει να αντικατασταθεί από τον κατασκευαστή ή από έναν τεχνικό του σέρβις.
- Συνδέετε το φις σε μια πρίζα που συμμορφούται με τους ισχύοντες κανονισμούς και σε σημείο με εύκολη πρόσβαση.
- Όσον αφορά τα τεχνικά μέτρα και τα μέτρα ασφαλείας που πρέπει να εφαρμοστούν για την απαγωγή των καπναερίων, είναι σημαντικό να τηρούνται σχολαστικά οι κανονισμοί των τοπικών φορέων.


**⚠ ΠΡΟΕΙΔΟΠΟΙΗΣΗ:** πριν εγκαταστήσετε τον απορροφητήρα, αφαιρέστε τις προστατευτικές μεμβράνες.


- Χρησιμοποιείτε μόνο βίδες και εξαρτήματα κατάλληλου τύπου για τον απορροφητήρα.

**⚠ ΠΡΟΕΙΔΟΠΟΙΗΣΗ:** η μη τοποθέτηση των βιδών και των συστημάτων στερέωσης σύμφωνα με τις παρούσες οδηγίες, μπορεί να προκαλέσει ηλεκτροπληξία.

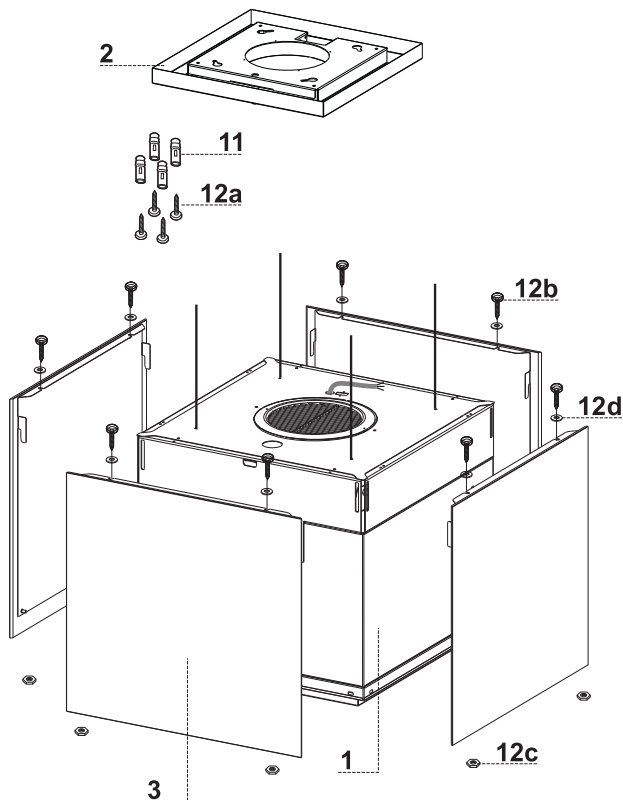
- Μην κοιτάζετε απευθείας με οπτικά όργανα (κιάλια, μεγεθυντικός φακός...).
- Μην μαγειρεύετε φαγητά φλαμπέ κάτω από τον απορροφητήρα: μπορεί να προκληθεί πυρκαγιά.
- Αυτή η συσκευή μπορεί να χρησιμοποιηθεί από παιδιά ηλικίας άνω των 8 ετών και από άτομα με μειωμένες ψυχικές ή διανοητικές ικανότητες, ή από άτομα χωρίς πείρα και επαρκή γνώση, αρκεί να επιβλέπονται και εκπαιδεύονται στην ασφαλή χρήση της συσκευής και στους κινδύνους που απορρέουν από αυτή. Βεβαιωθείτε ότι τα παιδιά δεν παίζουν με τη συσκευή. Ο καθαρισμός και η συντήρηση δεν πρέπει να εκτελούνται από παιδιά, εκτός εάν επιβλέπονται.
- Τα παιδιά πρέπει να επιβλέπονται ώστε να εξασφαλιστεί ότι δεν παίζουν με τη συσκευή.

- Η συσκευή δεν πρέπει να χρησιμοποιείται από άτομα (συμπεριλαμβανομένων των παιδιών) με μειωμένες ψυχικές ή διανοητικές ικανότητες, ή από άτομα χωρίς πείρα και επαρκή γνώση, εκτός εάν ελέγχονται και εκπαιδεύονται.

 Τα προσβάσιμα μέρη μπορεί να έχουν υψηλή θερμοκρασία κατά τη χρήση των συσκευών μαγειρέματος.

- Καθαρίζετε ή/και αντικαθιστάτε τα φίλτρα μετά την καθορισμένη χρονική περίοδο (κίνδυνος πυρκαγιάς). Βλέπε παράγραφο Συντήρηση και καθαρισμός.
- Πρέπει να υπάρχει κατάλληλος αερισμός στο χώρο όταν ο απορροφητήρας χρησιμοποιείται ταυτόχρονα με συσκευές που χρησιμοποιούν αέριο ή άλλα καύσιμα (δεν ισχύει για συσκευές που απάγουν αποκλειστικά τον αέρα στο χώρο).
- Το σύμβολο  πάνω στο προϊόν ή πάνω στη συσκευασία του υποδεικνύει ότι το προϊόν δεν πρέπει να διατίθεται σαν ένα συνηθισμένο οικιακό απόρριμμα. Το προϊόν προς διάθεση πρέπει να παραδίδεται σε ένα κατάλληλο κέντρο συλλογής για την ανακύκλωση των ηλεκτρικών και ηλεκτρονικών συσκευών. Φροντίζοντας για τη σωστή διάθεση αυτού του προϊόντος, συμβάλλετε στην αποφυγή πιθανών αρνητικών επιπτώσεων για το περιβάλλον και την υγεία, που μπορεί να οφείλονται στην ακατάλληλη διάθεσή του. Για λεπτομερέστερες πληροφορίες σχετικά με την ανακύκλωση αυτού του προϊόντος, απευθυνθείτε στο Δήμο, στην τοπική υπηρεσία συλλογής απορριμμάτων ή στο κατάστημα από το οποίο αγοράσατε το προϊόν.

# ΧΑΡΑΚΤΗΡΙΣΤΙΚΑ



## Εξαρτήματα

### Αναφ. Ποσ. Εξαρτήματα της συσκευής

1 1 Σώμα απορροφητήρα με: Χειριστήρια, Φωτισμό, Φίλτρα, Μοτέρ.

2 1 Πλάκα στήριξης απορροφητήρα.

3 4 Τζάμια

### Αναφ. Ποσ. Εξαρτήματα για την εγκατάσταση

11 4 Ούπα Φ 10

12a 4 Βίδες 4,2 x 44,4

12b 8 Βίδες 4 x 8

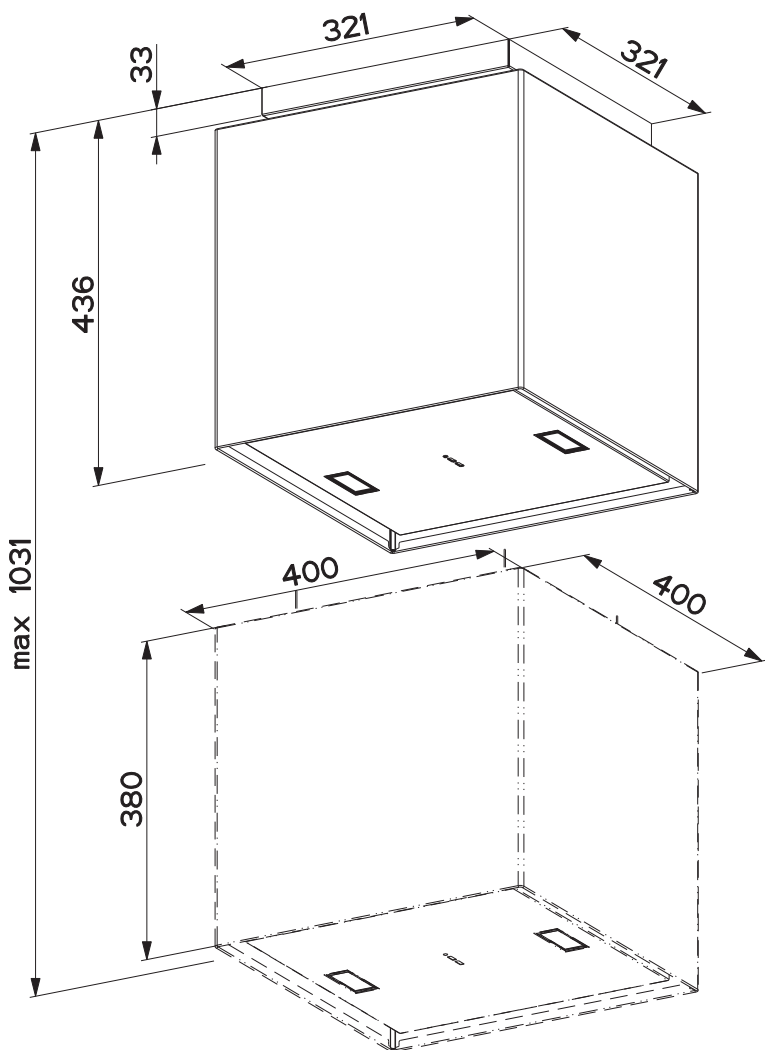
12c 8 Παξιμάδια

12d 8 Ροδέλες D.4,3 x 10

### Ποσ. Έντυπα

1 Εγχειρίδιο οδηγιών

## Διαστάσεις

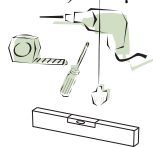




# ΕΓΚΑΤΑΣΤΑΣΗ

Αυτός ο απορροφητήρας μπορεί να τοποθετηθεί σε οροφή/ράφι, πάνω (ελάχ. 650 mm) από μια επιφάνεια εστιών με νησίδα σε:

- **Μοντέλο Απαγωγής:** Εξωτερική εκκένωση.
- **Μοντέλο Ανακύκλωσης:** Εσωτερική ανακύκλωση.

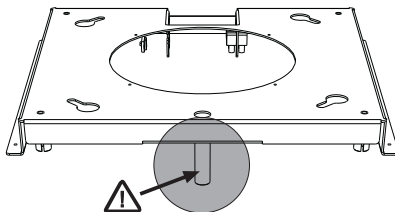
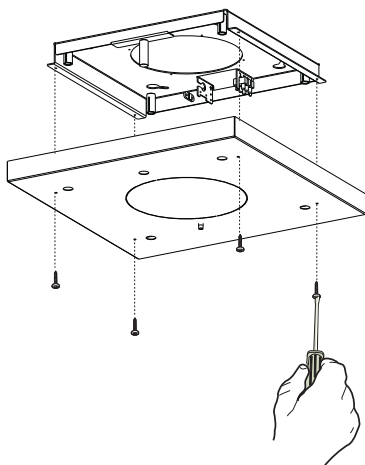


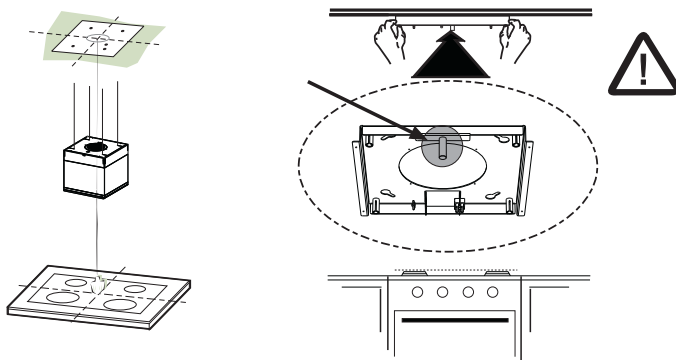
## Σειρά ενεργειών για την εγκατάσταση

- Προετοιμασία για την εγκατάσταση
- Διάτρηση οροφής/ραφιού και στερέωση πλάκας στήριξης
- Συνδέσεις
- Τοποθέτηση σώματος απορροφητήρα
- Έλεγχος λειτουργίας
- Διάθεση συσκευασίας

## Άνοιγμα πλάκας και προετοιμασία για την τοποθέτηση

- Ξεβιδώστε τις βίδες που ενώνουν την πλάκα στο καπάκι της.
- Πάρτε την πλάκα και τοποθετήστε την με τη σωστή κατεύθυνση, όπως δείχνει η εικόνα. Ο πείρος πρέπει να παραμείνει προς την πλευρά του εγκαταστάτη.





## Διάτρηση οροφής/ραφιού και στερέωση πλάκας

### ΔΙΑΤΡΗΣΗ ΟΡΟΦΗΣ/ΡΑΦΙΟΥ

- Με τη βοήθεια ενός νήματος στάθμης σημειώστε πάνω στην οροφή/ράφι στήριξης το κέντρο της επιφάνειας των εστιών.
- Ακουμπήστε στην οροφή/ράφι την πλάκα προσέχοντας να την τοποθετήσετε με τη σωστή κατεύθυνση, όπως δείχνει η εικόνα.
- Σημειώστε τα κέντρα των οπών της πλάκας.
- Τρυπήστε τα ακόλουθα σημεία:
  - Οροφή από συμπαγές σκυρόδεμα: ανάλογα με τα ούπα για σκυρόδεμα που χρησιμοποιούνται.
  - Οροφή από τούβλα με αεροθάλαμο, πάχους 20 mm: Ανοίξτε οπές Φ 10 mm (τοποθετήστε αμέσως τα ούπα του εξοπλισμού **11**).
  - Οροφή από ξύλινα δοκάρια: ανάλογα με τις ξυλόβιδες που χρησιμοποιούνται (δεν διατίθενται).
  - Ξύλινο ράφι, πάχους 15 mm: τρυπήστε με ένα τρυπάνι Φ 7 mm.
  - Διέλευση του ηλεκτρικού καλωδίου τροφοδοσίας: τρυπήστε με ένα τρυπάνι Φ 10 mm.
  - Έξοδος αέρα (μοντέλο απαγωγής): ανάλογα με τη διάμετρο της σύνδεσης στο σωλήνα εξωτερικής εκκένωσης.
- Βιδώστε σταυρωτά δύο βίδες αφήνοντας 4-5 mm από την οροφή:
  - για συμπαγές σκυρόδεμα, ούπα για σκυρόδεμα, δεν παρέχονται.
  - για κατασκευή από τούβλα με αεροθάλαμο, πάχους 20 mm περίπου, βίδες **12a**, που παρέχονται.
  - για ξύλινα δοκάρια, ξυλόβιδες, δεν παρέχονται.
  - για ξύλινο ράφι, βίδες με ροδέλες και παξιμάδια δεν παρέχονται.

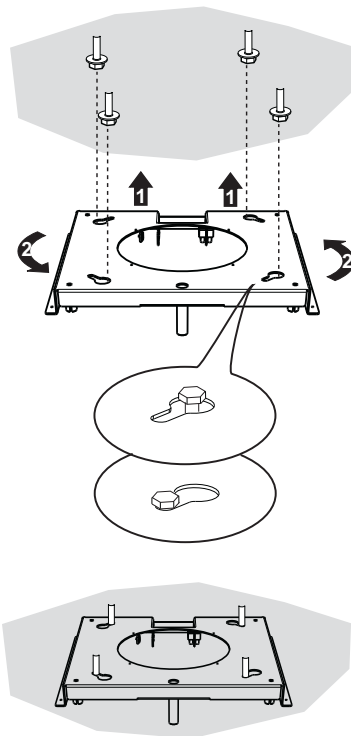
## ΣΤΕΡΕΩΣΗ ΠΛΑΚΑΣ

- Σηκώστε την πλάκα στερέωσης και προσαρμόστε τα ανοίγματα στις δύο βίδες που τοποθετήσατε προηγουμένως στην οροφή και γυρίστε έως το κέντρο του ανοίγματος ρύθμισης.

**Προσοχή:** Η φορά της πλάκας πρέπει να είναι εκείνη που δείχνει η εικόνα

- Σφίξτε τις δύο βίδες και βιδώστε τις άλλες δύο βίδες του εξοπλισμού. Πριν σφίξετε οριστικά τις βίδες, μπορείτε να κάνετε ρυθμίσεις γυρνώντας το εξάρτημα, έτσι ώστε οι βίδες να μην εξέλθουν από την έδρα του ανοίγματος ρύθμισης.
- Η στερέωση πρέπει να είναι ασφαλής σε σχέση τόσο με το βάρος του απορροφητήρα όσο και στις καταπονήσεις που οφείλονται στην ενδεχόμενη πλευρική μετατόπιση της συσκευής. Μετά την ολοκλήρωση της στερέωσης βεβαιωθείτε ότι η πλάκα είναι σταθερή.
- Σε περίπτωση που η οροφή δεν είναι αρκετά ανθεκτική στο σημείο ανάρτησης, ο εγκαταστάτης θα πρέπει να την ενισχύσει με κατάλληλα αγκυρωμένα ελάσματα σε ανθεκτικά δομικά σημεία.

- Ελέγξτε το αλφάδιασμα της πλάκας στην οροφή.



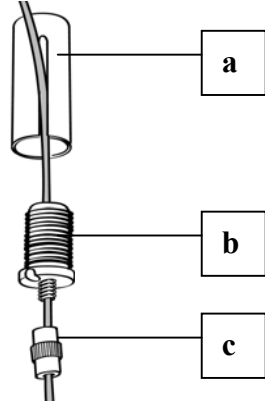
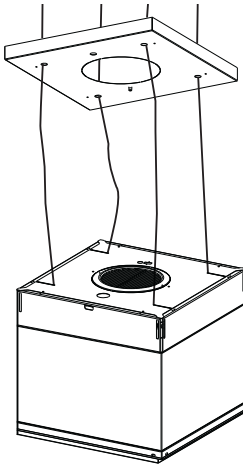
## ΣΥΝΔΕΣΗ ΚΑΛΩΔΙΩΝ ΑΠΟΡΡΟΦΗΤΗΡΑ-ΠΛΑΚΑΣ

**ΠΡΟΣΟΧΗ:** Πριν συνεχίσετε με την εγκατάσταση, πρέπει να μετακινήσετε τον απορροφητήρα σε ύψος τουλάχιστον 650 mm από την επιφάνεια των εστιών με ένα υποστήριγμα ή με τη βοήθεια δεύτερου ατόμου. Προσέξτε να μην ξεπεράσετε τη μέγιστη επέκταση του απορροφητήρα που υποδεικνύεται στο σχέδιο διαστάσεων.

⚠ Το μετρό αυτό είναι απαραίτητο, καθώς για να συνδεθούν τα συρματόσχοινα του απορροφητήρα στην πλάκα που είναι τοποθετημένη στην οροφή είναι **αναγκαίο** το βάρος του απορροφητήρα να μην πέφτει στο σκελετό.

Το σύστημα στερέωσης των 4 συρματόσχοινων περιλαμβάνει 3 μέρη:

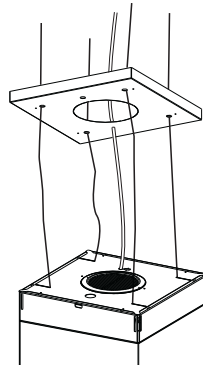
- Βιδωτός πείρος (a) τοποθετημένος στην πλάκα οροφής.
- Βίδα ασφάλισης συρματόσχοινου (b) του εξοπλισμού.
- Πόμολο ασφαλείας (c) του εξοπλισμού.



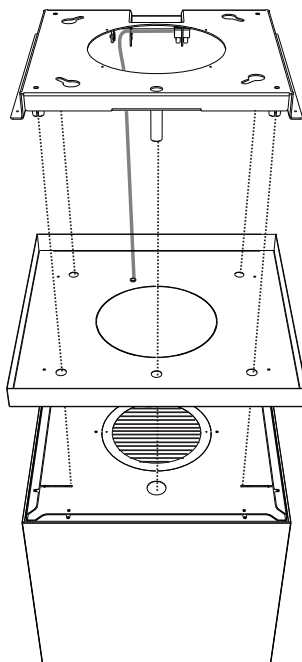
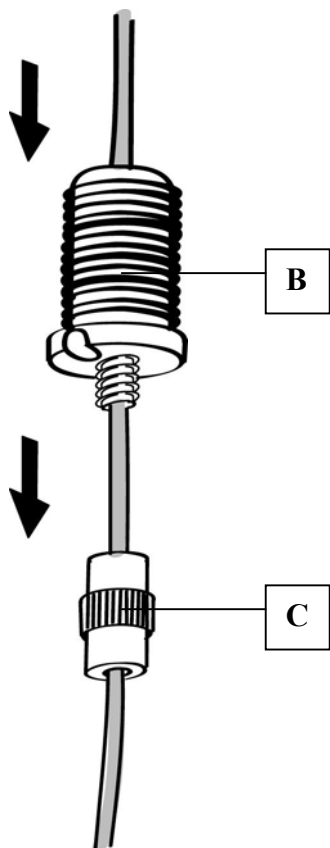
- Περάστε τα 4 συρματόσχοινα (που είναι στερεωμένα στο σώμα απορροφητήρα) στις αντίστοιχες σπές του καλύμματος πλάκας, που αφαιρέσατε προηγουμένως, προσέχοντας ώστε η κατεύθυνση να είναι ίδια με εκείνη της πλάκας που είναι στερεωμένη στην οροφή.

- Βάλτε το ηλεκτρικό καλώδιο του απορροφητήρα στην οπή που υπάρχει στο καπάκι.

**Προσοχή:** Μην κόψετε ή αφαιρέσετε το δερματικό που στερεώνει το ηλεκτρικό καλώδιο στον απορροφητήρα



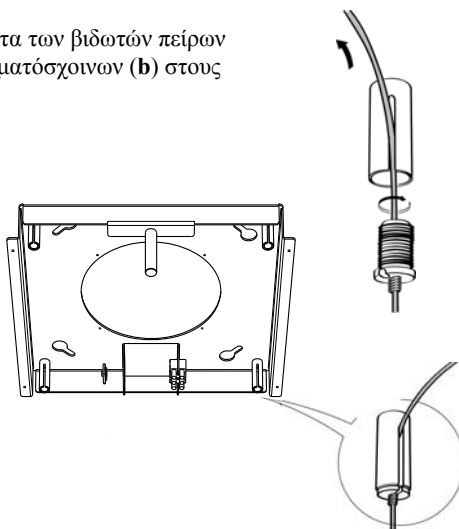
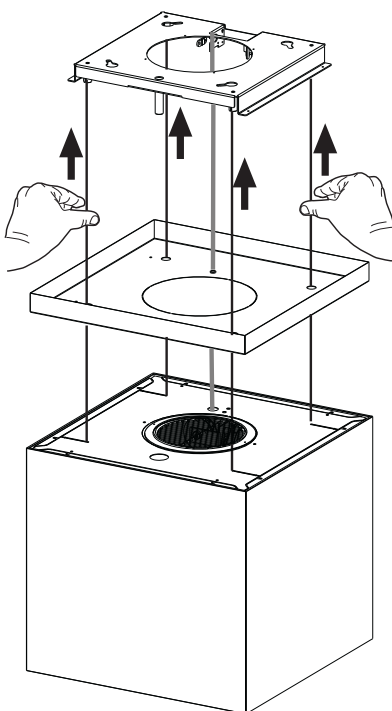
- Προσέξτε τη φορά της πλάκας που στερεώνεται στην οροφή (ο πείρος τερματισμού της πλάκας έχει άνοιγμα που προσαρμόζει στο καπάκι πλάκας και στο σώμα του απορροφητήρα).



- Περάστε τα πόμολα ασφαλείας (c) στα αντίστοιχα συρματόσχοινα με το σπείρωμα προς τα πάνω.
- Περάστε τις βίδες ασφάλισης συρματόσχοινου (b) στα αντίστοιχα συρματόσχοινα.

- Περάστε τα συρματόσχοινα στα ανοίγματα των βιδωτών πείρων (a) και βιδώστε τις βίδες ασφάλισης συρματόσχοινων (b) στους πείρους.

- Όταν τελειώσετε, το αποτέλεσμα πρέπει να είναι όπως της εικόνας και με τα 4 συρματόσχοινα.



- Στο σημείο αυτό και τα 4 συρματόσχοινα είναι συνδεδεμένα στην πλάκα.

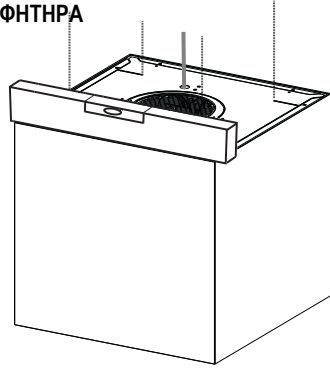
**Τεντώστε τα συρματόσχοινα πιέζοντας προς τα πάνω έτσι ώστε να κινηθούν μέσα στη βίδα ασφάλισης συρματόσχοινου και έξω από το άνοιγμα του βιδωτού πείρου.**

**Αυτό επιτρέπεται γιατί η βίδα ασφάλισης συρματόσχοινου διαθέτει ένα σύστημα που επιτρέπει την κίνηση του συρματόσχοινου στο εσωτερικό της προς μία μόνο κατεύθυνση, μπλοκάροντας την κίνηση προς την αντίθετη φορά.**

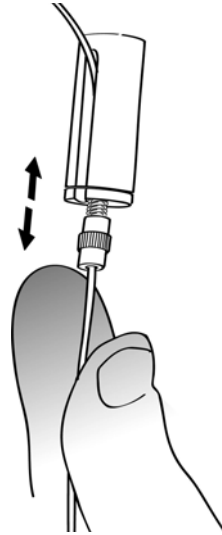
**Προσέξτε ώστε τα συρματόσχοινα να έχουν το ίδιο μήκος για να διευκολύνεται η διαδικασία του τελικού αλφαδιάσματος και το εμπρός αριστερό συρματόσχοινο δεν πρέπει να είναι πιο λασκαρισμένο από τα άλλα.**

## ΑΛΦΑΔΙΑΣΜΑ ΤΟΥ ΑΠΟΡΡΟΦΗΤΗΡΑ

- Είναι απαραίτητο να αλφαδιάσετε το σώμα απορροφητήρα.
- Ο απορροφητήρας αλφαδιάζεται με τους πείρους ασφαλείας C.



- Ακουμπήστε ένα αλφάδι στον απορροφητήρα.



- Πιέστε προς τα πάνω τα πόμολα ασφαλείας για να ξεμπλοκάρει η κίνηση του συρματόσχοινου. Εισάγοντας ή αφαιρώντας το συρματόσχοινο από τη βίδα ασφάλισης συρματόσχοινου μπορείτε να κάνετε τις ρυθμίσεις που επιτρέπουν το αλφάδιασμα του κινητού σώματος του απορροφητήρα.
- Μετά το αλφάδιασμα του απορροφητήρα θα πρέπει να σφίξετε τα πόμολα ασφαλείας.

### Προσοχή:

- Βεβαιωθείτε ότι και τα 4 συρματόσχοινα στήριξης είναι τεντωμένα.
- Βεβαιωθείτε ότι και τα 4 συρματόσχοινα στήριξης δεν έχουν υποστεί φθορά κατά την εγκατάσταση.
- Υπενθυμίζουμε ότι η ελάχιστη απόσταση μεταξύ απορροφητήρα και επιφάνειας των εστιών της κουζίνας πρέπει να είναι 650mm και προσέξτε να μην ξεπεράσετε τη μέγιστη επέκταση του απορροφητήρα που υποδεικνύεται στο σχέδιο διαστάσεων.

## **Συνδέσεις**

---

### **ΕΞΟΔΟΣ ΑΕΡΑ ΜΟΝΤΕΛΟΥ ΑΠΑΓΩΓΗΣ**

Για την εγκατάσταση του μοντέλου απαγωγής του απορροφητήρα, συμβουλευθείτε τις οδηγίες του ειδικού κιτ αναρρόφησης του απορροφητήρα.

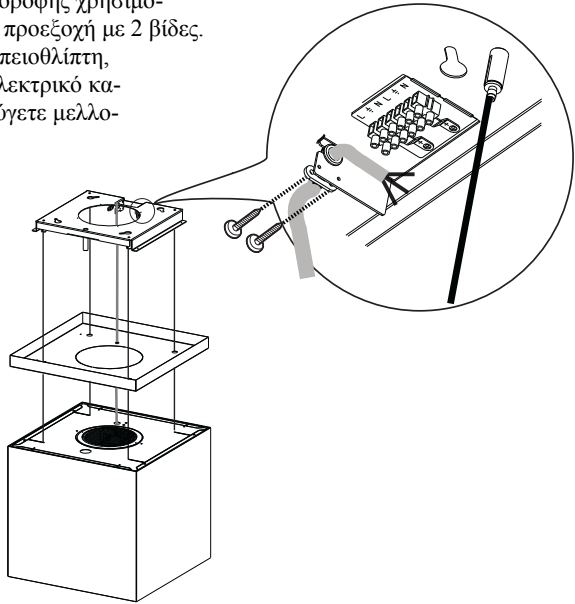
### **ΕΞΟΔΟΣ ΑΕΡΑ ΜΟΝΤΕΛΟΥ ΑΝΑΚΥΚΛΩΣΗΣ**

- Ανοίξτε το φωτιστικό τραβώντας το στην ειδική εγκοπή.
- Αφαιρέστε το φίλτρο λίπους.
- Βεβαιωθείτε για την παρουσία των φίλτρων ενεργού άνθρακα.



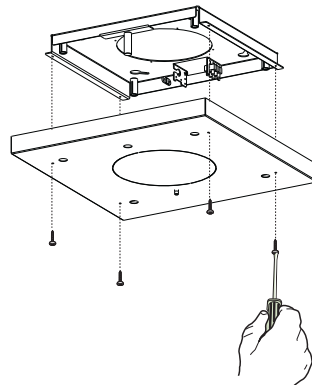
## ΣΤΕΡΕΩΣΗ ΗΛΕΚΤΡΙΚΟΥ ΚΑΛΩΔΙΟΥ

- Τεντώστε το ηλεκτρικό καλώδιο και στερεώστε το στο στήριγμα πάνω στην πλάκα οροφής χρησιμοποιώντας την ήδη τοποθετημένη προεξοχή με 2 βίδες.
- Προσαρμόστε το λαστιχένιο στυλαιοθλίπτη, που είναι ήδη περασμένος στο ηλεκτρικό καλώδιο, στο άνοιγμα για να αποφύγετε μελλοντικές ζημιές.
- Συνδέστε τον απορροφητήρα στο δίκτυο παρεμβάλλοντας διπολικό διακόπτη με άνοιγμα επαφών τουλάχιστον 3 mm.
- Βγάλτε τα φίλτρα για λίπη (βλ. παρ. "Συντήρηση") και βεβαιωθείτε ότι ο συνδετήρας του ηλεκτρικού καλωδίου έχει συνδεθεί σωστά στην υποδοχή της μονάδα αναρρόφησης.
- Στο σημείο αυτό μπορείτε να κόψετε το δεματικό που στερεώνει το ηλεκτρικό καλώδιο στο σώμα απορροφητήρα.



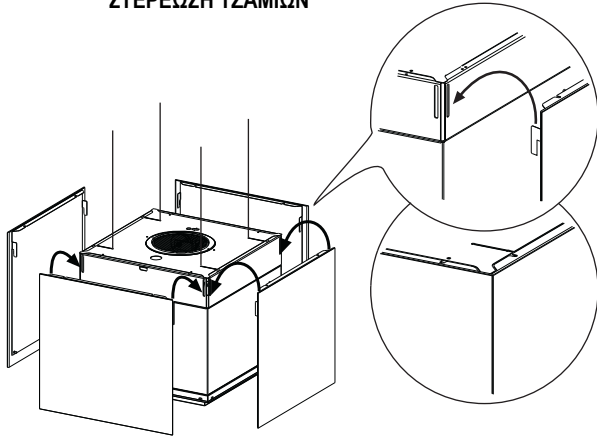
## ΤΟΠΟΘΕΤΗΣΗ ΚΑΠΑΚΙΟΥ ΠΛΑΚΑΣ

- Βιδώστε και πάλι το καπάκι στην πλάκα με τις βίδες που αφαιρέσατε προηγουμένως.

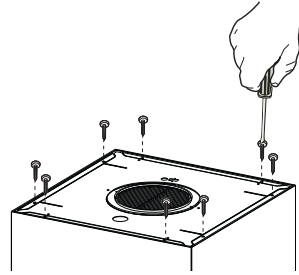


## ΣΤΕΡΕΩΣΗ ΤΖΑΜΙΩΝ

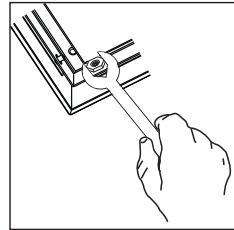
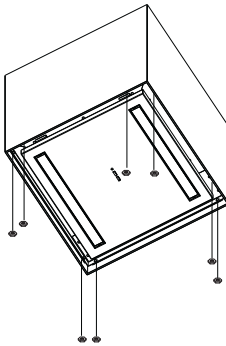
- Στερεώστε τα 4 τζάμια στο σώμα απορροφητήρα περνώντας τα περύγια στα ειδικά ανοίγματα.
- Οριζοντιώστε τα 4 τζάμια με το χέρι κάνοντας μικρορυθμίσεις στα ίδια τα τζάμια.



- Στερεώστε από πάνω τα 4 τζάμια με τις βίδες **12b+12d** του εξοπλισμού και βεβαιωθείτε ότι όλα είναι οριζόντια.



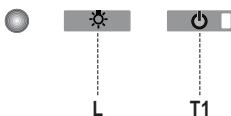
- Στερεώστε οριστικά από κάτω τα 4 τζάμια με τα παξιμάδια **12c** του εξοπλισμού και βεβαιωθείτε ότι όλα είναι οριζόντια.



### Προσοχή

Βεβαιωθείτε ότι τα τζάμια του απορροφητήρα είναι τέλεια ευθυγραμμισμένα και οριζόντια. Αν αυτό δεν συμβαίνει, μπορείτε να τα ρυθμίσετε λασκάροντας τα παξιμάδια **12c** ή τις βίδες **12b** έτσι ώστε μετακινώντας τα τζάμια να ευθυγραμμιστούν τέλεια.

## Πίνακας χειριστηρίων



Πλήκτρο	Λειτουργία	Θόνη
L	Ανάβει/Σβήνει τα φώτα.	-
T1	<b>Απορροφητήρας κάτω</b> Αν το πιέσετε για 2 δευτερόλεπτα ανεβάζει στον απορροφητήρα. Αν το πιέσετε για λίγο Ανάβει/Σβήνει το μοτέρ.	Αναμμένη/Σβηστή
	<b>Απορροφητήρας πάνω</b> Πρώτη πίεση: Ο απορροφητήρας κατεβαίνει. Δεύτερη πίεση: Ο απορροφητήρας σταματά. Όταν ολοκληρωθεί η μετακίνηση, το μοτέρ ανάβει στη δεύτερη ταχύτητα.	Σβηστή/Σβηστή

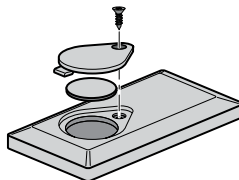
Το ηλεκτρονικό σύστημα αναγνωρίζει δύο τύπους βλαβών και φροντίζει να δώσει την αντίστοιχη σήμανση

Led T1	
Αργή αναλαμπή	<b>Υπέρβαση του ορίου απορρόφησης ρεύματος:</b> Σε περίπτωση που παρουσιαστεί υπερφότωση, η βλάβη επισημαίνεται με την αναλαμπή ανά 2 δευτερόλεπτα του Led T1 στον πίνακα χειριστηρίων. Βεβαιωθείτε ότι δεν υπάρχουν εμπόδια κατά την κίνηση του απορροφητήρα. Αυτή η σήμανση παραμένει ενεργοποιημένη μέχρι την επόμενη εντολή ανοίγματος/κλεισίματος του απορροφητήρα.
Γρήγορη αναλαμπή	<b>Επέμβαση του μικροδιακόπτη ασφαλείας κατά το άνοιγμα:</b> Σε περίπτωση επέμβασης του μικροδιακόπτη ασφαλείας, η ανωμαλία επισημαίνεται από το Led T1 που αναβοσβήνει γρήγορα (κάθε 250ms) υποδεικνύοντας ότι ο απορροφητήρας έχει ξεπεράσει το στοπ τερματισμού..... <b>Απευθυνθείτε στο Σέρβις!</b> Κατά τη διάρκεια αυτής της βλάβης μπορείτε να χρησιμοποιήσετε τον απορροφητήρα (φώτα και μοτέρ) και σε περίπτωση που το μοτέρ είναι αναμμένο το Led T1 θα συνεχίσει να αναβοσβήνει επισημαίνοντας ότι η βλάβη υπάρχει ακόμα.

## ΤΗΛΕΧΕΙΡΙΣΤΗΡΙΟ




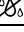







Η συσκευή ελέγχεται και με τηλεχειριστήριο που δέχεται μια μπαταρία των 3 V τύπου CR2032 (δεν περιλαμβάνεται).

- Μη βάζετε το τηλεχειριστήριο κοντά σε πηγές θερμότητας.
- Μην πετάτε τις μπαταρίες στο περιβάλλον, αλλά μόνο στους ειδικούς κάδους.



## Πίνακας χειριστηρίων

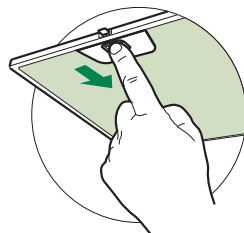


		Ανάβει/Σβήνει το μοτέρ.	-
		<b>Απορροφητήρας κλειστός:</b> - Πιέζοντας για λίγο το πλήκτρο ο απορροφητήρας αρχίζει και κατεβαίνει - Στην επόμενη πίεση σταματά. - Όταν ολοκληρωθεί η μετακίνηση, το μοτέρ ανάβει στη 2η ταχύτητα.	-
		<b>Απορροφητήρας ανοιχτός:</b> - Αν το πιάσετε για 2 δευτερόλεπτα ενεργοποιείται η μετακίνηση για την άνοδο και σταματά με το θερματικό διαδρομή. - Πιέζοντας (για λίγο) σταματά η μετακίνηση (πριν από το θερματικό διαδρομή). - Πιέζοντας ακόμα για λίγο, ανάβει/σβήνει το μοτέρ. - Αν πατηθεί για 2 δευτερόλεπτα ενεργοποιεί τη μετακίνηση για την άνοδο. - Αν το μοτέρ είναι αναμμένο, πρώτα σταματά το μοτέρ και στη συνέχεια αρχίζει τη μετακίνηση.	-
		-	-
		Ανάβει/Σβήνει τα φώτα του απορροφητήρα.	-
		<b>ΕΝΤΟΝΗ</b> - Ενεργοποιείται μόνο με τον απορροφητήρα κατεβασμένο και όταν δεν έχει ενεργοποιήσει το <b>delay</b> ή το <b>24h</b> . - Ενεργοποιεί την έντονη ταχύτητα από όλες τις ταχύτητες. - Για την απενεργοποίηση αρκεί να πιάσετε πάλι το πλήκτρο ή να σβήσετε το μοτέρ. - Η έντονη ταχύτητα ενεργοποιείται με χρονοδιακόπτη 10 λεπτών. Με την πάροδο των 10 λεπτών το σύστημα επανέρχεται αυτόματα στην προηγούμενη ταχύτητα.	Το Led που υπάρχει στο πλήκτρο μοτέρ (στα χειριστήρια απορροφητήρα), αναβοσβήνει 1 φορά το δευτερόλεπτο.
		<b>Αν το πιάσετε για λίγο λειτουργία Delay:</b> Δεν επιλέγεται με ενεργοποιημένη τη λειτουργία <b>Έντονη</b> ή <b>24h</b> . Ενεργοποιεί και απενεργοποιεί τη λειτουργία ολικού σβήσιματος του απορροφητήρα (μοτέρ+φωτισμός) μετά από 30 λεπτά: Για να απενεργοποιήσετε τη λειτουργία Delay πιάστε το ίδιο πλήκτρο ή σβήστε το μοτέρ.	Το Led που υπάρχει στο πλήκτρο μοτέρ (στα χειριστήρια απορροφητήρα), αναβοσβήνει κάθε 0,5 δευτερόλεπτο.
		<b>Αν το πιάσετε για 2 δευτ. λειτουργία 24H:</b> Δεν επιλέγεται με ενεργοποιημένη τη λειτουργία <b>Έντονη</b> ή <b>Delay</b> . Ενεργοποιεί ή απενεργοποιεί τη λειτουργία 24 για 10 λεπτά κάθε ώρα, για 24 ώρες. Στο τέλος απενεργοποιείται.	Το Led που υπάρχει στο πλήκτρο μοτέρ (στα χειριστήρια απορροφητήρα), αναβοσβήνει κάθε 2 δευτερόλεπτα.
		Αυξάνει την ταχύτητα του μοτέρ.	-
		Μειώνει την ταχύτητα του μοτέρ.	-

# ΚΑΘΑΡΙΣΜΟΣ ΚΑΙ ΣΥΝΤΗΡΗΣΗ

## Μεταλλικό φίλτρο για λίπη

Μπορεί να πλυθεί στο πλυντήριο πιάτων και απαιτεί καθαρισμό τουλάχιστον κάθε 2 μήνες χρήσης ή συχνότερα σε περίπτωση ιδιαίτερα συχνής χρήσης.



## ΚΑΘΑΡΙΣΜΟΣ ΜΕΤΑΛΛΙΚΟΥ ΦΙΛΤΡΟΥ ΓΙΑ ΛΙΠΗ

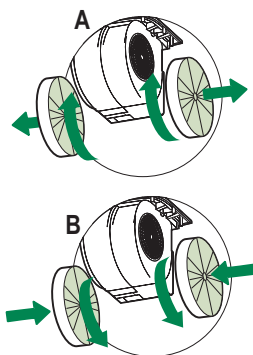
- Ανοίξτε το φωτιστικό τραβώντας το στην ειδική εγκοπή.
- Βγάλτε το φίλτρο πιέζοντας προς το πίσω μέρος της συσκευής και τραβώντας ταυτόχρονα προς τα κάτω.
- Πλύνετε το φίλτρο χωρίς να το στραβώσετε και αφήστε το να στεγνώσει πριν το τοποθετήσετε στη θέση του.
- Τοποθετήστε το έτσι ώστε η λαβή να παραμείνει προς το εξωτερικό μέρος.
- Κλείστε το φωτιστικό.

## Φίλτρα ενεργού άνθρακα για οσμές (Μοντέλο ανακύκλωσης)

Δεν μπορεί να πλυθεί και να αναγεννηθεί και πρέπει να αντικαθίσταται περίπου κάθε 4 μήνες χρήσης ή συχνότερα σε περίπτωση ιδιαίτερα συχνής χρήσης.

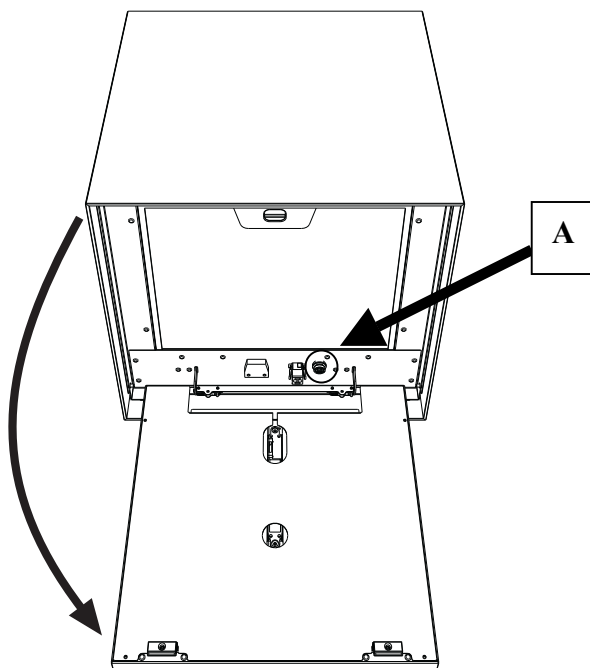
## ΑΝΤΙΚΑΤΑΣΤΑΣΗ

- Ανοίξτε το φωτιστικό.
- Αφαιρέστε το φίλτρο λίπους.
- Βγάλτε τα κορεσμένα φίλτρα ενεργού άνθρακα όπως στο σχέδιο (A).
- Τοποθετήστε τα νέα φίλτρα όπως στο σχέδιο (B).
- Τοποθετήστε το φίλτρο για λίπη και το φωτιστικό.



## Φωτισμός

- Για την αντικατάσταση απευθυνθείτε στο Σέρβις ("Για την αγορά απευθυνθείτε στο Σέρβις").



### **Διαδικασία επέμβασης σε περίπτωση ανωμαλίας στην κίνηση**

10. Βεβαιωθείτε ότι η ασφάλεια είναι σωστά τοποθετημένη και δεν έχει καεί. Για ενδεχόμενη αντικατάσταση, ανοίξτε το φωτιστικό, και ξεβιδώστε την ασφαλειοθήκη που είναι ορατή στ' αριστερά της μονάδας μοτέρ και αντικαταστήστε την με μια ίδιων χαρακτηριστικών (αναφ. Α).
11. Βεβαιωθείτε ότι το σώμα του απορροφητήρα είναι αλφαδιασμένο (συνιστάται η χρήση ενός αλφαδιού).
12. Βεβαιωθείτε ότι και τα τέσσερα συρματόσχοινα είναι τεντωμένα με τον ίδιο τρόπο.

Εάν οι προηγούμενες ενέργειες δεν λύσουν το πρόβλημα, απευθυνθείτε στο Σέρβις.

## ИНФОРМАЦИЯ ПО БЕЗОПАСНОСТИ

---

**i** В целях собственной безопасности и для правильной работы прибора рекомендуется внимательно прочитать руководство, прежде чем приступать к его установке и вводу в действие. Храните руководство всегда вместе с прибором также в случае передачи его третьим лицам. Знание пользователями всех параметров работы и безопасности прибора имеет большое значение.

**⚠** Подключение электрических проводов должно выполняться компетентным специалистом.

- Изготовитель не несет ответственность за убытки, возникающие в результате неправильной установки или эксплуатации прибора.
- Безопасное расстояние между варочной панелью и всасывающей вытяжкой должно быть не менее 650 мм (некоторые модели можно устанавливать ниже; см. раздел, посвященный рабочим размерам и операциям по установке прибора).
- Если в инструкциях по установке газовой плиты сказано, что расстояние до вытяжки должно быть больше указанного выше, следует придерживаться предписанных размеров.
- Проверьте соответствие напряжения сети указанному на табличке, закрепленной внутри вытяжки.
- В соответствии с нормативными правилами монтажа электропроводки в стационарной электрической сети должны быть установлены разъединители.
- Для приборов класса I проверьте, чтобы в электрической сети вашего дома была предусмотрена соответствующая система заземления.
- Соедините вытяжку с дымоходом трубой, диаметр которой должен быть не менее 120 мм. Труба для отведения дыма должна быть как можно короче.
- Соблюдайте все нормативные требования по отведению отработанного воздуха.
- Не соединяйте всасывающую вытяжку с дымоходами, по которым выводится дым, образующийся в процессе горения (например,

- Если вытяжной шкаф используется в сочетании с приборами, работающими не от электрического тока (например, газовые приборы), помещение должно хорошо проветриваться во избежание обратного потока отходящих газов. При использовании кухонной вытяжки в сочетании с приборами, работающими не от электрического тока, отрицательное давление в помещении не должно превышать 0,04 мбар с тем, чтобы дым не всасывался вытяжкой обратно в помещение.
- Воздух не должен выводиться из помещения по каналу для отведения продуктов горения, выделяемых приборами, работающими на газу или других горючих веществах.
- В случае повреждения кабеля питания он должен быть заменен изготовителем или техническим специалистом сервисного центра.
- Вставьте вилку в розетку, расположенную в доступном месте; тип розетки должен соответствовать действующим нормативным правилам.
- Необходимо строго соблюдать правила местных учреждений, устанавливающие технические требования и меры безопасности для систем отведения дыма.

**⚠ ПРЕДУПРЕЖДЕНИЕ:** прежде чем приступить к установке кухонной вытяжки, снимите с нее защитную пленку.


- Используйте только винты и метизы, пригодные для установки вытяжного шкафа.


**⚠ ПРЕДУПРЕЖДЕНИЕ:** использование винтов или зажимных устройств, не соответствующих указаниям данных инструкций, может привести к возникновению опасных ситуаций и к электрическим ударам.

- Не рекомендуется прямо смотреть на лампочку через оптические приборы (бинокль, увеличительное стекло и проч.).
- Не готовьте блюда фламбе под вытяжкой: опасность возникновения пожара.
- Прибором могут пользоваться дети старше 8 лет и лица с ограниченными психическими, физическими и сенсорными способностями, а также не имеющие достаточного опыта и знаний, но только под присмотром ответственных лиц и при условии, что они обучены безопасной эксплуатации прибора и знают о связанных с его неправильным использованием опасностях. Следите, чтобы дети не играли с прибором. Очистку и уход за прибором не должны выполнять дети, разве только под присмотром взрослых.
- Следите, чтобы детьми не играли с прибором.

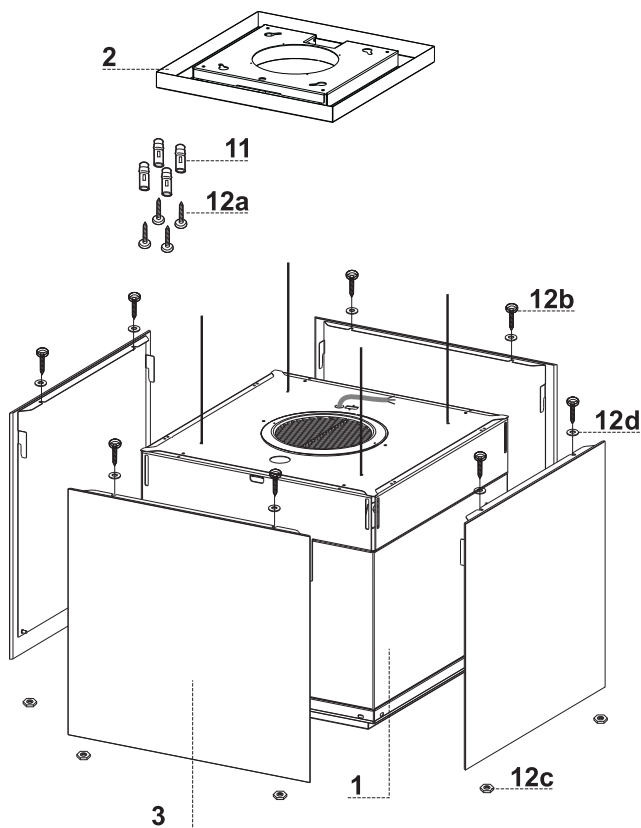


- Запрещается пользоваться прибором лицам (а также детям) с ограниченными психическими, физическими и сенсорными способностями, а также, не имеющим достаточного опыта и знаний; в противном случае они должны быть соответствующим образом обучены и находиться под наблюдением.

 Доступные части прибора могут сильно нагреваться в процессе приготовления пищи.

- Очищайте и/или заменяйте фильтры по истечении указанного периода времени (опасность возникновения пожара). См. раздел, посвященный уходу и очистке прибора.
- В помещении должна быть предусмотрена соответствующая вентиляция, когда вытяжка используется одновременно с приборами, работающими на газу или другом топливе (это правило не распространяется на приборы, выпускающие воздух только в помещение).
- Символ  на изделии или на упаковке указывает, что прибор нельзя выбрасывать, как обычный бытовой мусор. Прибор, подлежащий уничтожению, необходимо сдать в специальный сборный пункт для повторного использования электрических и электронных компонентов. Пользователь, правильно сдающий прибор на переработку, помогает предотвратить потенциальные негативные последствия для окружающей среды и для здоровья людей, возникающие в случае неправильного его уничтожения. За более подробной информацией о вторичном использовании прибора обращайтесь в городской совет, в местную службу по переработке отходов или в магазин, где прибор был приобретен.

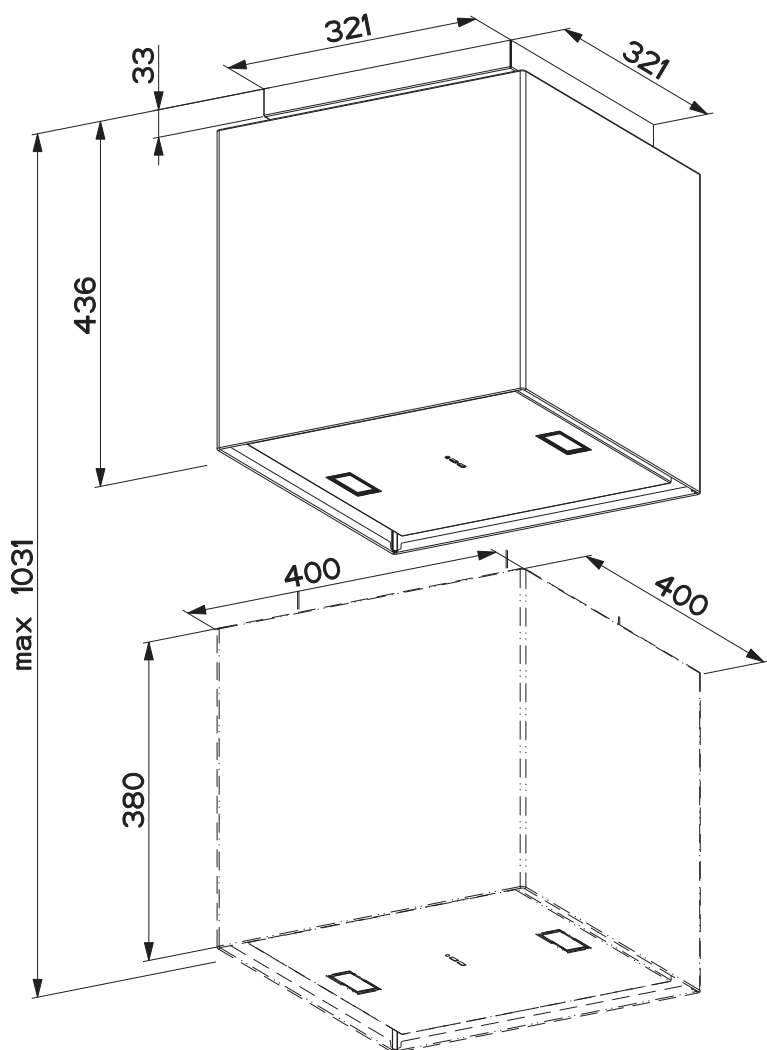
# ХАРАКТЕРИСТИКИ



## Части

Об.	Кол.	Части изделия
1	1	Корпус вытяжки в комплекте с устройствами управления, освещением, фильтрами, двигателем
2	1	Опорная плита вытяжки
3	4	Стеклопанели
Об.	Кол.	Установочные компоненты
11	4	Дюбеля $\varnothing 10$
12a	4	Винты 4,2 x 44,4
12b	8	Винты 4 x 8
12c	8	Гайки
12d	8	Шайбы D.4,3 x 10
		Кол. Документация
	1	Руководство по эксплуатации

## Габариты



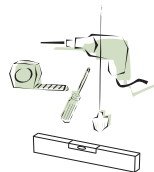
# УСТАНОВКА

Вытяжка может быть закреплена к потолку/полке на расстоянии не менее 650 мм от независимой варочной панели:

- **Режим всасывания:** воздух выводится наружу.
- **Режим фильтрации:** внутренняя рециркуляция воздуха.

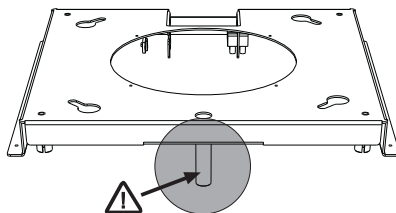
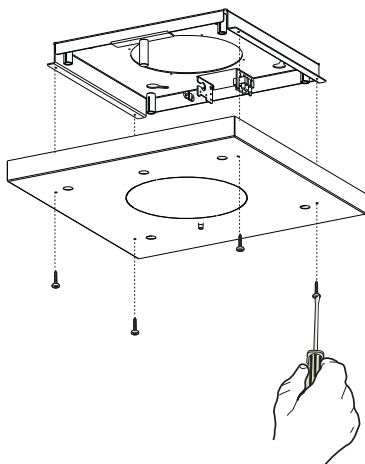
## Последовательность операций по установке

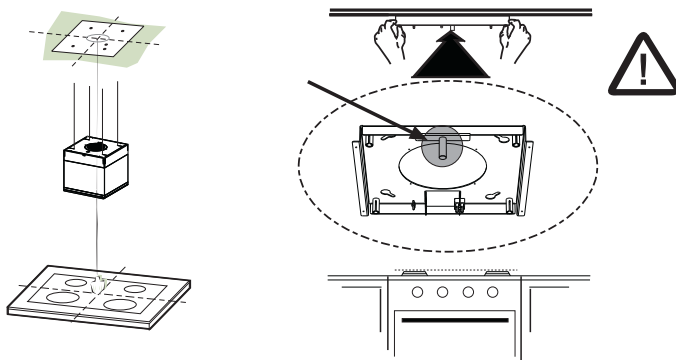
- Подготовка к установке
- Отверстие в потолке/полке и крепление опорной плиты
- Соединения
- Установка корпуса вытяжки
- Функциональная проверка
- Уничтожение упаковочных материалов



## Подготовка к установке монтажной плиты

- Выкрутить винты, соединяющие монтажную плиту с ее крышкой.
- Возьмите плиту и разместите ее, как показано на рисунке. Защелка должна находиться в положении перед монтажником.





## Отверстия в потолке/полке и крепление плиты

### ПОДГОТОВКА ОТВЕРСТИЙ В ПОТОЛКЕ/ПОЛКЕ

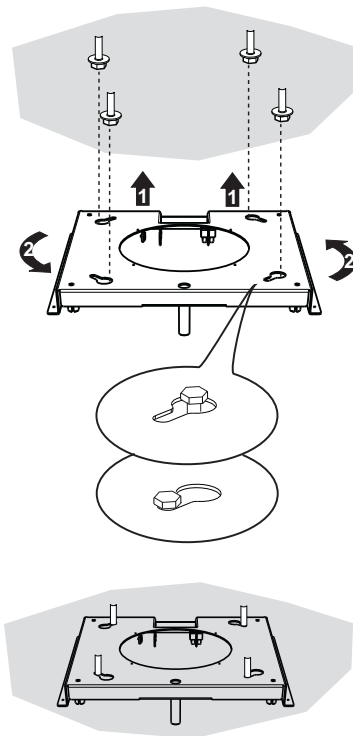
- С помощью отвеса определите на потолке/подвесной полке центр варочной панели.
- Приложите к потолку/полке плиту, как показано на рисунке.
- Отметьте центры отверстий плиты.
- Просверлите отверстия.
  - В потолке из компактного бетона: в соответствии с используемыми для бетона дюбелями.
  - В потолке из пустотелого кирпича толщиной 20 мм: отверстия  $\varnothing$  10 мм (сразу же вставьте прилагаемые дюбели **11**).
  - В потолке из деревянных балочных перекрытий: в соответствии с используемыми шурупами для дерева (не входят в комплект поставки).
  - В деревянной полке толщиной 15 мм: отверстие  $\varnothing$  7 мм
  - Проходное отверстие для электрического кабеля питания: отверстие  $\varnothing$  10 мм
  - Выпускное отверстие воздуха (всасывающая вытяжка): в зависимости от диаметра трубы вывода воздуха наружу.
- Ввинтите крест-накрест два винта, оставив до потолка 4-5 мм:
  - в потолок из компактного бетона - дюбели для бетона (не входят в комплект поставки)
  - в потолок из пустотелого кирпича толщиной около 20 мм - прилагаемые винты **12а**
  - в потолок из деревянных балочных перекрытий - шурупы для дерева (не входят в комплект поставки)
  - в деревянную полку - шурупы с шайбами и гайками (не входят в комплект поставки).

## КРЕПЛЕНИЕ ПЛИТЫ

- Приподнимите установочную плиту и вставьте в отверстия два винта, предварительно подготовленные в потолке; поверните плиту до центра регулирующего отверстия.

**Внимание!** направление установки плиты должно соответствовать показанному на рисунке.

- Затяните оба винта и привинтите еще два винта, прилагаемые в комплекте; прежде чем затянуть винты окончательно, поворотом плиты можно отрегулировать ее положение; следите, чтобы винты при этом не вышли из регулирующего отверстия.
- Крепление плиты должно быть надежным относительно веса вытяжки и нагрузок, оказываемых случайными боковыми толчками на установленный прибор. После завершения операций проверьте устойчивое положение плиты.
- Во всех случаях, когда потолок недостаточно прочен в точке крепления прибора, монтажник должен упрочить его специальными пластинами и опорными плитами, закрепленными к устойчивым структурным элементам.
- Проверьте уровень крепления плиты к потолку.



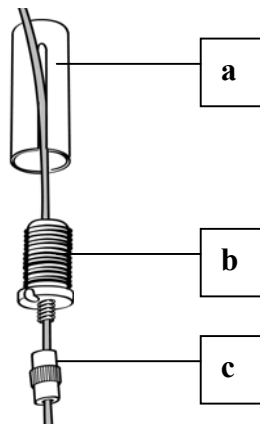
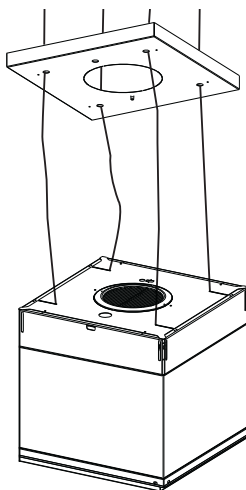
## СОЕДИНЕНИЕ ПРОВОДОВ ВЫТЯЖКА - ПЛИТА

**Прим.** прежде чем продолжить установку, поднимите вытяжку на высоту на менее 650 мм над варочной панелью, установив опору, или с помощью второго человека. Следует проследить за тем, чтобы вытяжка не выступала далее, чем указано на чертеже с габаритными размерами.

**⚠** Это необходимо, так как во время соединения проводов вытяжки с закрепленной к потолку плитой вес прибора **не должен** оказывать воздействия на всю конструкцию.

Система крепления 4 проводов состоит из 3 частей.

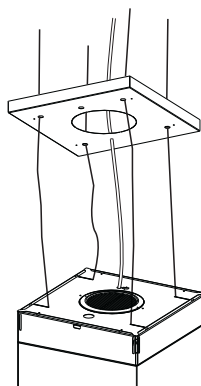
- Зашелка с резьбой (а), установленная на потолочной плите.
- Кабельный фиксатор (b), прилагаемый в комплекте.
- Предохранительная рукоятка (с), прилагаемая в комплекте.



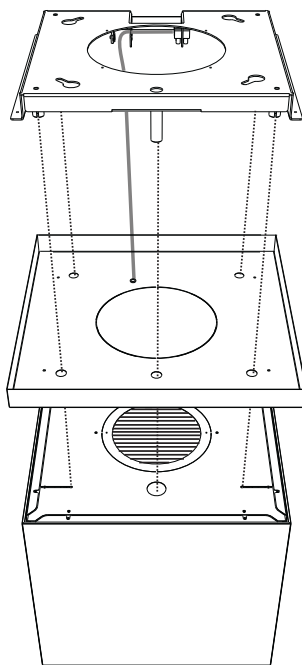
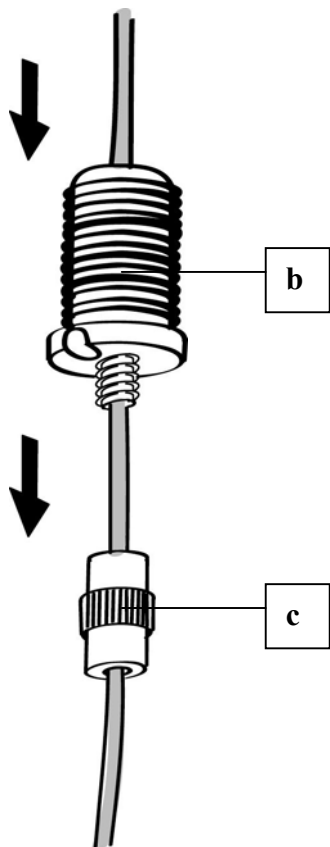
- Пропустите 4 провода (прикреплены к корпусу вытяжки) в соответствующие отверстия в заранее снятой крышке плиты, следя за тем, чтобы сторона крышки соответствовала стороне плиты, смонтированной на потолке.

- Вставить кабель питания вытяжки в отверстие, предусмотренное в крышке.

**Внимание!** Хомут, обеспечивающий крепление кабеля питания к вытяжке, должен оставаться на своем месте и не иметь никаких повреждений.



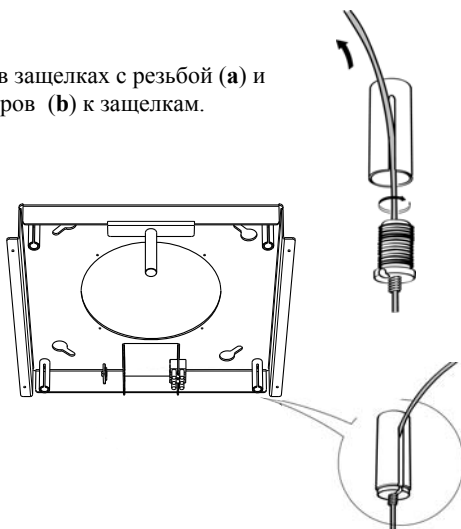
- Обратите внимание на положение, в котором плита закреплена к потолку (ограничительной собачке соответствует отверстие в крышке плиты и в корпусе вытяжки).



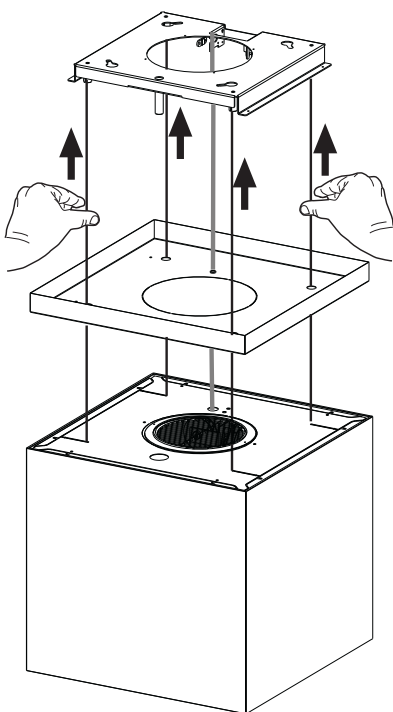
- Поставьте предохранительные рукоятки (с) на соответствующие провода; при этом резьба должна быть обращена вверх.
- Поставьте кабельные фиксаторы (b) на соответствующие кабели.



- Пропустите провода через отверстия в защелках с резьбой (а) и привинтите винты кабельных фиксаторов (b) к защелкам.
- По завершении операции все 4 провода должны быть закреплены, как показано на рисунке.



- Таким образом все 4 провода соединены с плитой.



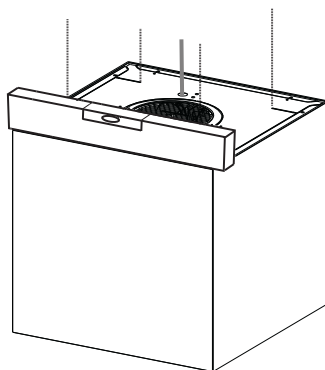
**Подайте на провода напряжение, прижав их кверху, чтобы они проходили внутри кабельных фиксаторов и снаружи отверстия защелки с резьбой.**

**В конструкции кабельных фиксаторов предусмотрена система, позволяющая кабелю скользить внутри фиксаторов только в одном направлении.**

**Следите, чтобы все провода были одинаковой длины (это необходимо для заключительного выравнивания вытяжки), и чтобы левый передний трос не был натянут меньше, чем другие.**

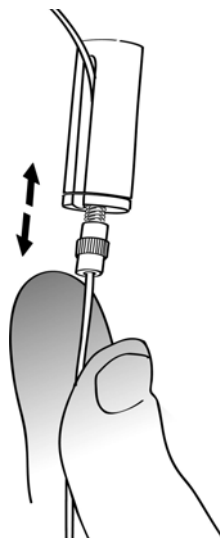
## ВЫРАВНИВАНИЕ ВЫТЯЖКИ

- Положение корпуса вытяжки необходимо выставить по уровню.
- Выравнивание вытяжки по горизонтали выполняется с помощью предохранительных головок С.



- Положите на вытяжку уровень.

- При нажатии вверх на предохранительные рукоятки становится возможным перемещение провода. Вставляя или вытягивая трос из винта зажима, можно отрегулировать положение корпуса вытяжки, выставив его строго по горизонтали.
- Выровняв положение вытяжки, вновь затяните предохранительные рукоятки.



### Внимание!

- проверьте, чтобы все 4 подвесных троса были натянуты.
- проверьте, чтобы все 4 подвесных троса не были повреждены во время установки.
- Необходимо помнить, что минимальное расстояние между вытяжкой и варочной панелью должно быть не менее 650 мм, кроме того, вытяжка не должна выступать на расстояние, превышающее значение, указанное на чертеже с габаритными размерами.

## Соединения

---

### ВЫПУСК ВОЗДУХА ИЗ ВСАСЫВАЮЩЕЙ ВЫТЯЖКИ

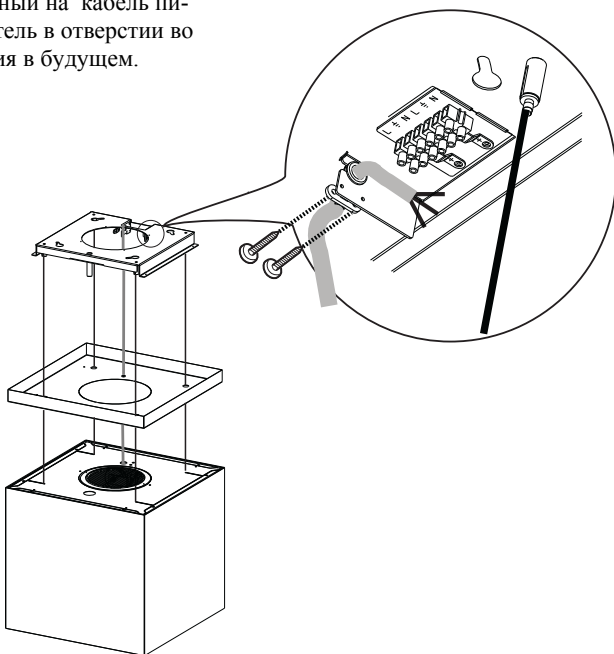
Для установки всасывающей вытяжки см. инструкции в специальном комплекте для такого типа вытяжек.

### ВЫПУСК ВОЗДУХА ИЗ ФИЛЬТРУЮЩЕЙ ВЫТЯЖКИ

- Потяните за специальный вырез и откройте осветительный прибор.
- Удалить жировой фильтр.
- Проверьте наличие фильтров против запахов на активированном угле.

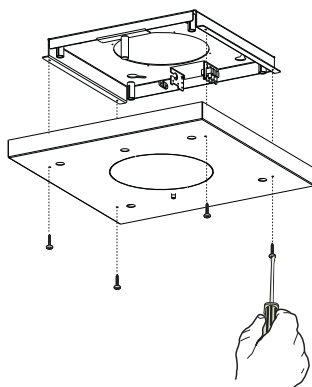
## КРЕПЛЕНИЕ КАБЕЛЯ ПИТАНИЯ

- Натянуть кабель питания и закрепить его 2 винтами на скобе на потолочной плите с помощью уже установленного язычка.
- Разместите уже поставленный на кабель питания резиновый уплотнитель в отверстиях во избежания его повреждения в будущем.
- Подключите вытяжку к сети через двухполюсный выключатель с минимальным разведением контактов 3 мм.
- Выньте жировые фильтры (см. Раздел "Обслуживание") и проверьте, чтобы соединительный зажим питающего кабеля был правильно вставлен в разъем вытяжного устройства.
- После этого можно срезать хомутик, которым кабель питания крепится к корпусу вытяжки.



## УСТАНОВКА КРЫШКИ МОНТАЖНОЙ ПЛИТЫ

- Прикрутить крышку к монтажной плите, с помощью винтов, выкрученных ранее.

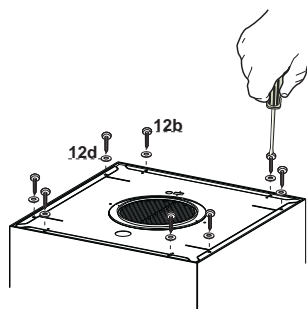


## УСТАНОВКА СТЕКЛЯННЫХ ПАНЕЛЕЙ

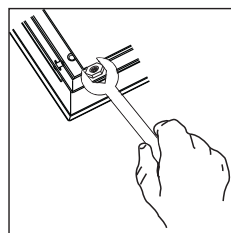
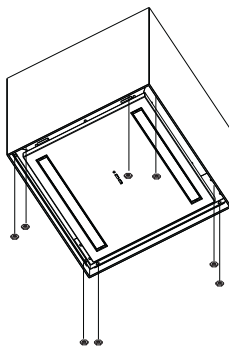
- Навесить 4 стеклянные панели на корпус вытяжки, вставив крючки в предусмотренные отверстия.
- Выставить 4 стеклянные панели вручную по горизонтали, слегка меняя положение панелей нужным образом.



- Закрепить 4 стеклянные панели сверху с помощью винтов **12b** + **12d**, прилагаемых в комплекте, следя за тем, чтобы не нарушить горизонтальность панелей.



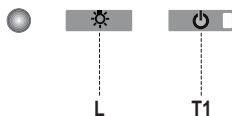
- Закрепить окончательно сверху положение 4 стеклянных панелей гайками **12c**, прилагаемыми в комплекте, следя за тем, чтобы не нарушить горизонтальность панелей.



### Внимание!

Убедиться в том, что стеклянные панели вытяжки выставлены ровно относительно друг друга и строго горизонтально. Если это не так, то чтобы добиться нужной точности выставления панелей, следует сместить их нужным образом, ослабив для этого затяжку гаек **12c** или винтов **12b**.

## Панель управления



Кнопка	Функция	Дисплей
L	Включает и выключает освещение.	-
T1	<b>Вытяжка в нижнем положении</b> При нажатии в течение 2 секунд поднимает вытяжку. При кратком нажатии включает и выключает двигатель.	Включено / выключено
	<b>Вытяжка в верхнем положении</b> Первое нажатие: Вытяжка опускается. Второе нажатие: Вытяжка останавливается. По завершении движения вытяжки двигатель включается на второй скорости.	Выключено / выключено

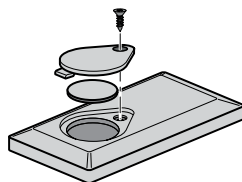
### Электроника распознает два типа неисправностей и подает соответствующие сигналы

Индикатор T1	
Медленное мигание	<b>Превышение порога потребления тока</b> При выявлении условий перегрузки система сигнализирует о неисправности миганием индикатора T1 на кнопочной панели каждые 2 секунды. Проверьте, чтобы движению вытяжки ничто не мешало. Такой сигнал сохраняется до новой команды раскрытия/закрытия вытяжки.
	<b>Срабатывание защитного микровыключателя на этапе раскрытия</b> При срабатывании защитного микровыключателя о неисправности сигнализирует быстро мигающий T1 индикатор (каждые 250 мсек), указывающий на то, что вытяжка зашла за ограничительный предел..... <b>Обратитесь в техническое обслуживание!</b> Во время этой неисправности можно все равно пользоваться функциями вытяжки (освещение и двигатель), и если двигатель включен, индикатор T1 будет продолжать мигать, указывая на то, что неисправность еще присутствует.
Быстрое мигание	

## ПУЛЬТ ДИСТАНЦИОННОГО УПРАВЛЕНИЯ

Работой прибора можно управлять пультом дистанционного управления, который работает на батарейке 3 В типа CR2032 (не входит в комплект поставки).

- Не оставляйте пульт дистанционного управления около источников тепла.
- Не выбрасывайте батарейки в мусор, а только в специальные емкости по сбору отработанных батареек.



## Панель управления

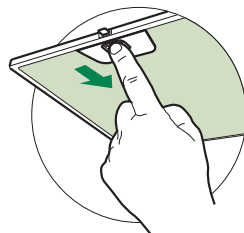


⏻	⏻	Включает / выключает двигатель.	-
	↕	<b>Вытяжка закрыта:</b> - кратким нажатием на кнопку вытяжка начинает опускаться - при следующем нажатии на кнопку вытяжка останавливается. По завершении движения вытяжки двигатель включается на 2-й скорости. <b>Вытяжка открыта:</b> - нажатие кнопки в течение 2 секунд включает подъем вытяжки, которая останавливается ограничителем - кратким нажатием кнопки движение вытяжки прекращается (до ограничителя) - еще одним кратким нажатием кнопки включается / выключается двигатель - нажатие кнопки в течение 2 секунд включает подъем вытяжки - если двигатель включен, сначала останавливает его, а потом включает движение вытяжки	-
	⚙	-	-
	☀	Включает / выключает освещение вытяжки.	-
☢	⚡	<b>ИНТЕНСИВНАЯ СКОРОСТЬ</b> - Такая скорость может быть включена, только когда вытяжка в нижнем положении и не включены функции <b>задержка</b> или <b>24h</b> . - Включает интенсивную скорость при любой скорости работы. Чтобы отключить интенсивную скорость, достаточно еще раз нажать эту же кнопку или выключить двигатель. - Интенсивная скорость ограничена таймером на 6 минут. По истечении 6 минут система автоматически возвращается на заданную ранее скорость.	Индикатор на кнопке управления двигателем (в числе устройств управления вытяжкой) мигает 1 раз в секунду.
⏻	⌚	<b>Краткое нажатие кнопки активирует функцию задержки:</b> Эта функция может быть включена, только когда не активированы функции <b>интенсивная скорость</b> или <b>24h</b> . Включает и отключает режим полного останова вытяжки (двигатель и освещение) через 30 минут. Чтобы отключить функцию задержки, можно еще раз нажать эту же кнопку или выключить двигатель. <b>При нажатии кнопки в течение 2 сек функция 24h:</b> может быть включена, только когда не активированы функции <b>интенсивная скорость</b> или <b>задержка</b> . Кнопка включает и выключает функцию 24 ч с периодичностью 10 минут каждый час в течение 24 часов. По истечении этого времени функция отключается.	Индикатор на кнопке управления двигателем (в числе устройств управления вытяжкой) мигает каждые 0,5 секунды.
			Индикатор на кнопке управления двигателем (в числе устройств управления вытяжкой) мигает каждые 2 секунды.
	+	Повышает скорость работы двигателя.	-
	-	Понижает скорость работы двигателя.	-

# ОЧИСТКА И ОБСЛУЖИВАНИЕ

## Металлический жировой фильтр

Фильтр можно мыть в посудомоечной машине. Его следует мыть примерно раз в 2 месяца работы или чаще в случае особенно интенсивного использования.



### ОЧИСТКА МЕТАЛЛИЧЕСКОГО ЖИРОВОГО ФИЛЬТРА

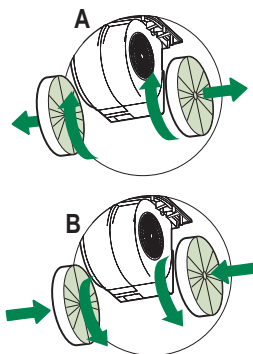
- Потяните за специальную выемку, чтобы открыть блок освещения.
- По очереди выньте фильтры. Для этого прижмите их к задней стенке блока и одновременно потяните вниз.
- Осторожно вымойте фильтры, следя за тем, чтобы они не сгибались, и перед установкой дайте им просохнуть.
- Поставьте фильтры на место так, чтобы ручка находилась с видимой наружной стороны.
- Закройте блок освещения.

## Фильтры против запахов на активированном угле (фильтрующая вытяжка)

Такие фильтры нельзя мыть и восстанавливать. Их следует менять приблизительно каждые 4 месяца работы или чаще в случае особенно интенсивного использования.

### ЗАМЕНА

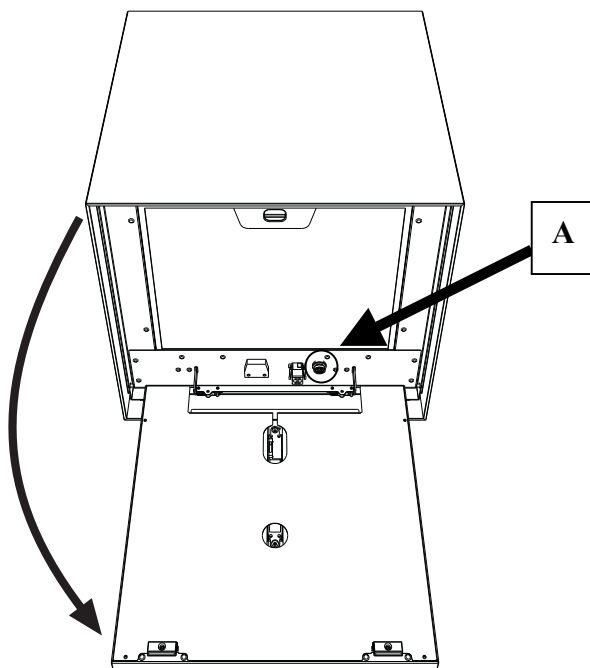
- Откройте осветительный прибор.
- Удалить жировой фильтр.
- Выньте насыщенные фильтры против запахов на активированном угле, как показано на рисунке (А).
- Установите новые фильтры, как показано на рисунке (В).
- Вставьте жировой фильтр и установите осветительный прибор.



### Освещение

- Для замены светодиода обращайтесь в обслуживающий центр ("Для приобретения обращайтесь в обслуживающий центр").





### **Операции в случае неисправности движения**

13. Проверьте, чтобы предохранитель был правильно установлен и не перегорел; для его замены откройте осветительный прибор, выньте жировой фильтр, отвинтите держатель плавкого предохранителя, видимый с левой стороны двигателя, и замените предохранитель на другой с такими же характеристиками (Об.А).
14. Проверьте, чтобы корпус вытяжки был установлен по уровню (рекомендуется воспользоваться уровнем).
15. Убедитесь, что степень натяжения всех четырех тросов одинаковая.

Если указанные действия не позволили устранить проблему, обратитесь в обслуживающий центр.

## GÜVENLİK HAKKINDA BİLGİLER

---

**i** Kendi güvenliğiniz açısından ve cihazın düzgün çalışması için, kurulum ve devreye alma işlemlerini gerçekleştirmeden önce, lütfen bu kılavuzu dikkatlice okuyunuz. Satış ya da üçüncü şahıslara devir durumunda dahi, işbu talimatları cihaz ile birlikte bulundurun. Kullanıcıların, cihazın tüm işletim ve güvenlik özelliklerini bilmeleri önemlidir.

**⚠** Kablo bağlantıları, ehil bir kişi tarafından yapılmalıdır.

- Ürünün yanlış montajı veya kullanımından doğacak olan hasarlardan üretici sorumlu tutulamaz.
- Ocak ile davlumbaz aspiratörü arasındaki minimum güvenlik mesafesi 650 mm'dir (bazı modeller daha düşük bir yükseklikte monte edilebilir, çalışma boyutlarına ve kurulumuna ilişkin paragrafa bakın).
- Gazlı ocağın montaj talimatları, yukarıda belirtilenden daha fazla bir mesafe olması gerektiğini belirtiyorsa, bu göz önünde bulundurulmalıdır.
- Şebeke geriliminin, davlumbazın içine uygulanmış olan etiket üzerinde belirtilen gerilime karşılık gelip gelmediğini kontrol edin.
- Bağlantı kesme cihazları, kablolama sistemindeki yönetmeliklere uygun olarak sabit sisteme monte edilmelidir.
- 1. Sınıf cihazlar için, ev güç kaynağının düzgün topraklandığını kontrol edin.
- Davlumbazı, çapı en az 120 mm olan bir boru ile, duman tahliye bacasına bağlayın. Dumanın izlediği güzergah, mümkün olduğunca kısa olmalıdır.
- Hava tahliyesi ile ilgili tüm yönetmeliklere uyulmalıdır.
- Davlumbaz aspiratörünü, (örn; şofben, şömine, vb. gibi) yanıcı duman ihtiva eden kanallara bağlamayın.

- Eğer davlumbaz, elektrikli olmayan cihazlar ile (ömeğin gazlı cihazlar) bir kombinasyon halinde kullanılıyorsa, tahliye gazının geriye doğru akışının önlenmesi için, yeter seviyede bir yerel havalandırma sağlanmış olmalıdır. Davlumbazın, elektrik akımı tarafından beslenmeyen cihazlarla kombine bir halde kullanıldığı zaman, ilgili mahaldeki negatif basınç, dumanın davlumbaz tarafından geriye emilmesini önlemek için, 0,04 mbar'ı aşmamalıdır.
- Hava, gaz yakma cihazlarından veya diğer yakıtlardan çıkan egzoz gazları için kullanılan bir kanaldan tahliye edilmemelidir.
- Besleme kablosu, eğer hasar görmüşse, üretici tarafından ya da bir servis teknisyeni tarafından ikame edilmelidir.
- Fişi, mevcut yürürlükteki mevzuata uygun ve erişilebilir bir prize bağlayın.
- Dumanın tahliyesi için uygulanacak teknik ve emniyet tedbirlerine ilişkin olarak, yerel makamlar tarafından belirlenen kurallara titiz bir şekilde riayet edilmesi önemlidir.


**⚠ DİKKAT:** Davlumbazı monte etmeden önce, koruyucu filmleri çıkartın.


- Davlumbaz için sadece vidalar ve uygun tipteki parçalar kullanın.

**⚠ DİKKAT:** İşbu talimatlara uygun vida ve sabitleyicilerle monte edilmemesi, elektrik şokla sonuçlanabilir.

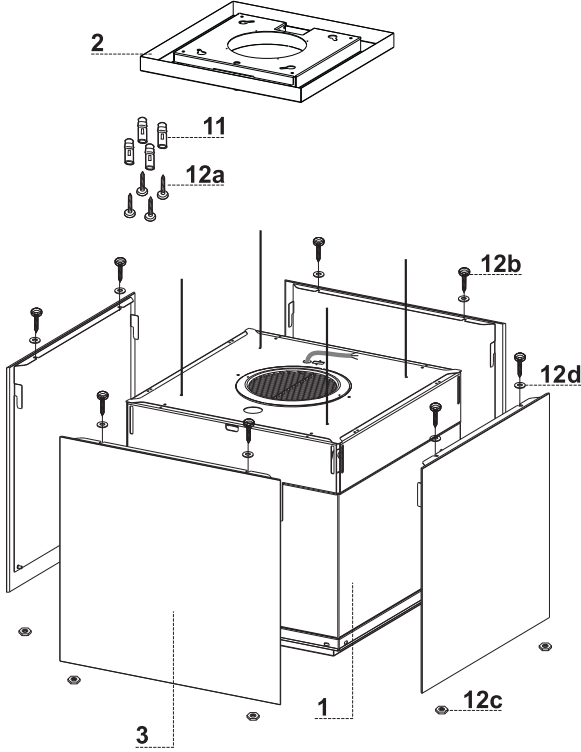
- Optik aletler ile (dürbün, büyüteç, vb.) doğrudan doğruya gözlemlemeyin.
- Davlumbazın altında flambe yapmayınız: yangın çıkabilir.
- Bu cihaz, 8 yaşının altında olmayan çocuklar tarafından ve psikolojik-fiziksel-duyusal yetenekleri sınırlı veya bilgi ve becerileri yetersiz olan kişiler tarafından, cihazın emniyetli bir şekilde nasıl kullanılacağı ve oluşabilecek tehlikeler hakkında dikkatlice denetlenmeleri ve talimatlandırılmaları şartıyla, kullanılabilir. Çocukların ekipman ile oynamadıklarından emin olun. Kullanıcı tarafından yapılacak temizlik ve bakım işlemleri, denetlenmedikleri sürece, çocuklar tarafından yürütülmemelidir.
- Çocukları, cihaz ile oynamadıklarından emin olarak gözlemleyin.

- Bu ev aleti, psikolojik, fiziksel, duyuşsal sorunları olan veya tecrübe ve bilgi eksikliği olan kişilerce (çocuklar dahil), güvenliklerinden sorumlu birisi tarafından gözlemlenmedikçe ve talimat verilmedikçe kullanılmamalıdır.

 Erişebilen parçalar, pişirme ekipmanlarının kullanılması esnasında çok sıcak bir hal alabilirler.

- Belirtilen zaman periyodundan sonra, filtreleri temizleyin ve/veya ikame edin (yangın tehlikesi). Bakım ve temizlik paragrafına bakın.
- Davlumbaz, gaz veya diğer yakıtları kullanan başka aletlerle birlikte kullanıldığında, oda yeterli derecede havalandırılmalıdır (sadece odaya hava salınımı yapan ev aletlerine uygundur).
-  Ürün üzerinde ya da ambalajı üzerinde bulunan işaret, ürünün, evsel atıklar gibi bir imha işlemine tabi olmadığını belirtir. İmha edilecek ürün, elektrikli ve elektronik bileşenlerinin geri dönüşümü için, yetkili bir toplama merkezine teslim edilmelidir. Bu ürünün doğru şekilde imha edildiğinden emin olunması, aksi takdirde uygunsuz bir şekilde imhasından kaynaklanabilecek, çevre ve sağlık bakımından, muhtemel olumsuz sonuçların önlenmesine yardımcı olacaktır. Bu ürünün geri dönüşümü hakkında daha detaylı bilgi için, Belediye ile, yerel atık toplama imha servisi ile ya da ürünün satın alındığı mağaza ile irtibata geçiniz.

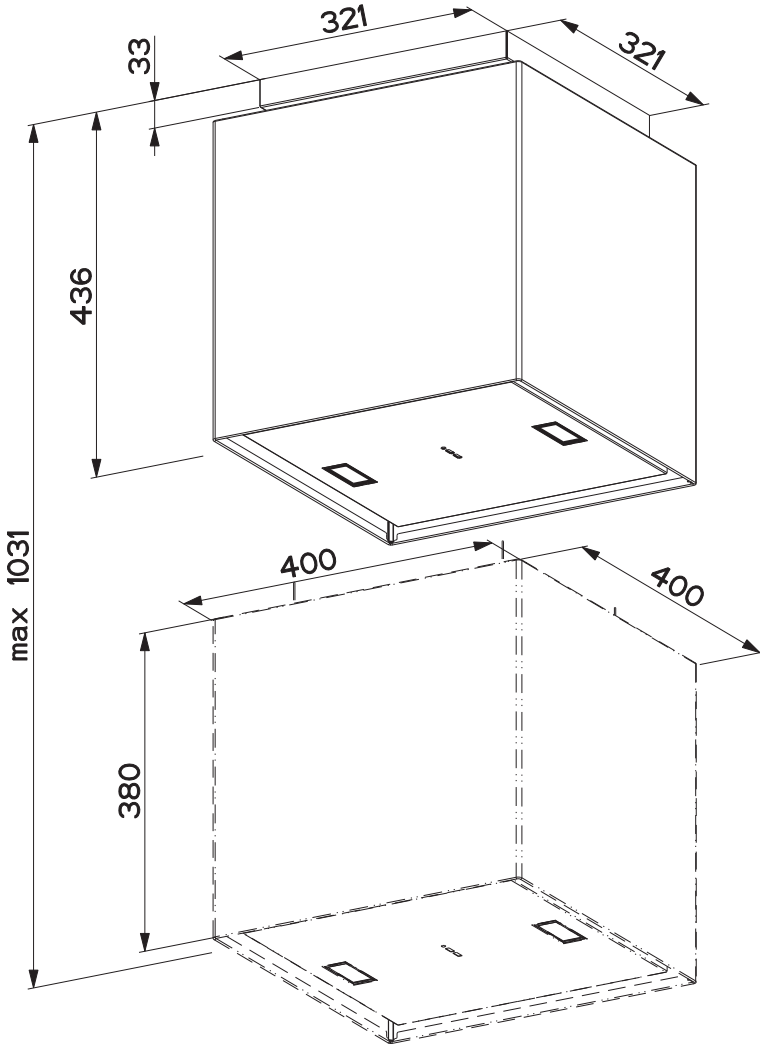
# ÖZELLİKLER



## Parçalar

Ref.	Miktar	Ürün Aksamı
1	1	Davlumbaz Gövdesi şunlardan oluşur: Kumandalar, Işıklar, Filtreler, Motor.
2	1	Davlumbaz destek plakası.
3	4	Camlar
Ref.	Miktar	Kurulum Aksamı
11	4	Dübel $\emptyset$ 10
12a	4	Vida 4,2 x 44,4
12b	8	Vida 4 x 8
12c	8	Zar
12d	8	Rondela D.4,3 x 10
Miktar	Dokümantasyon	
1	Kullanım Kitapçığı	

## Boyutlar



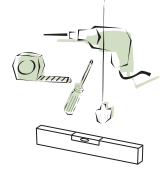
# MONTAJ

Bu Davlumbaz bir Pişirme Düzleminin üzerinde (en az 650 mm) Tavana/Rafa monte edilmek üzere ve aşağıdaki şekilde tasarlanmıştır:

- **Tahliyeli Sistem:** Havayı dışarı atar.
- **Filtreli Sistem:** Havayı içeride dolaştırır.

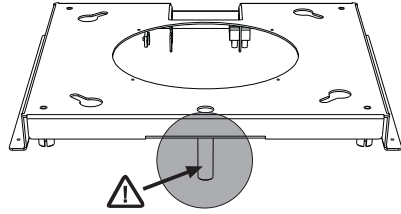
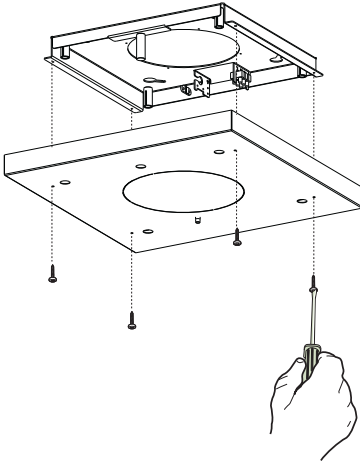
## Kurulum İşlem Sırası

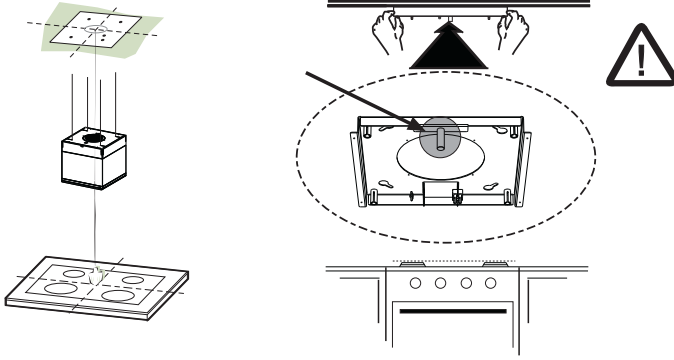
- Kurulum Hazırlığı
- Tavan/Raf Delme ve Montaj Destekleme Plakası
- Bağlantılar
- Davlumbaz Gövdesi Montajı
- Fonksiyon Kontrolü
- Ambalajların Bertaraf Edilmesi



## Kapak yuvası ve montaj için hazırlanması

- Plakayı kapağına bağlayan vidaları sökün.
- Plakayı alın ve şekilde gösterildiği gibi doğru yönde yerleştirin. Mandalın yüzü monte edene bakmalıdır.





## Tavan/Raf Delme ve Montaj Plakası

### TAVAN/RAF DELME

- Bir şakül yardımıyla Pişirme Düzleminin merkezini destek Tavani/Rafı üzerinde işaretleyin.
- Şekilde gösterildiği gibi doğru yönde yerleştirmeye özen göstererek Plakayı Tavana/Rafa dayayın.
- Plaka Deliklerinin merkezlerini işaretleyin.
- Aşağıdaki delikleri delin:
  - Sağlam beton tavanda: kullanılan Beton Dübellerine göre.
  - 20 mm'lik dayanıklı kalınlığa sahip hava odacıklı tuğla tavanda:  $\varnothing$  10 mm delik delin (hemen ürünle birlikte gelen Dübelleri **11** yerleştirin).
  - Ahşap Kirişli Tavan: Kullanılan Ahşap Vidalarına göre (temin edilmez).
  - 15 mm'lik dayanıklı kalınlığa sahip Ahşap Rafta:  $\varnothing$  7 mm delik delin.
  - Güç kaynağı elektrik Kablo Geçişi:  $\varnothing$  10 mm delik delin.
  - Hava Çıkışı (Tahliyeli Sistemde): Harici tahliyeye bağlanan borunun ikinci çapı.
- İki vidayı çaprazlama olarak ve tavana 4-5 mm mesafe bırakacak şekilde vidalayın:
  - sağlam Beton için Beton Dübelleri ürünle birlikte temin edilmez.
  - 20 mm dayanıklı kalınlığa sahip hava odacıklı Tuğla için Vidalar **12a** ürünle birlikte temin edilir.
  - Ahşap Kirişler için Ahşap Vidaları ürünle birlikte temin edilmez.
  - Ahşap Raf için Rondelalı ve Somunlu Vidalar ürünle birlikte temin edilmez.



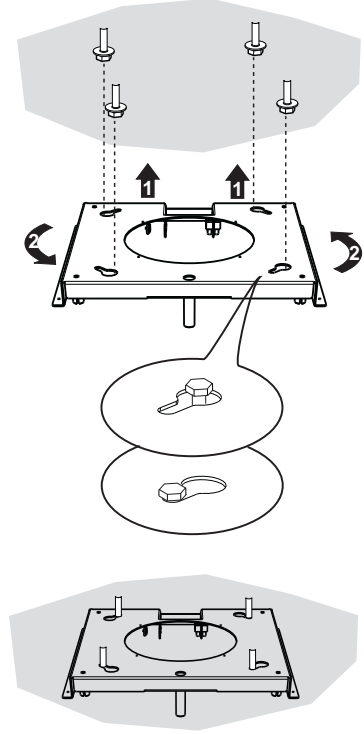
## MONTAJ PLAKASI

- Montaj plakasını kaldırın ve daha önceden tavana açılmış deliklere iki vidayı yerleştirin ve ayarlama deliğinin ortasına kadar çevirin.

**Dikkat:** Plakanın yönü şekilde gösterildiği gibi olmalıdır.

- İki vidayı sıkın ve ürünle birlikte gelen diğer iki vidayı takın; vidaları iyice sıkmadan önce vidaların ayarlama deliğinin yuvasından dışarı çıkmamasına özen göstererek ve parçayı çevirerek ayarlama işlemlerini gerçekleştirebilirsiniz.
- Montaj işlemi gerek Davlumbazın ağırlığı, gerekse monte edildiği Aparatın olası yanal hareketlerinin neden olabileceği gerilimler açısından güvenli olmalıdır. Bu nedenle montaj sırasında Plakanın sabit olduğunun kontrol edilmesi gerekir.
- Tavanın, asma noktasında yeterli derecede sağlam olmadığı her durumda, kurulumu yapan kişi burayı uygun plakalarla ve dayanıklı demirlerle güçlendirmelidir.

- Tavandaki dengeleme plakasını kontrol ediniz.



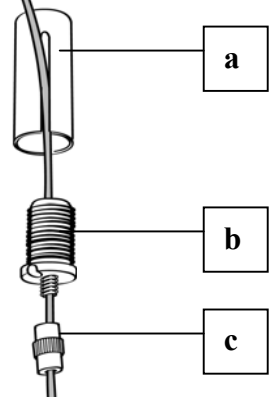
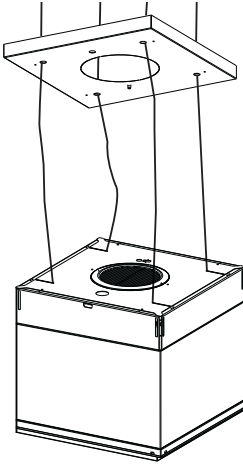
## DAVLUMBAZ-PLAKA KABLO BAĞLANTISI

**NOT** Kurulum işlemine geçmeden önce Davlumbazın bir destekle veya ikinci bir kişinin yardımıyla pişirme düzleminden en az 650 mm yüksekliğe kaldırılması gerekir. Lütfen boyut çiziminde gösterilen davlumbaz için gerekli en yüksek genişlemeyi aşmayın.

**⚠** Bu uygulama gereklidir çünkü Davlumbaz Kablolarının tavana monte edilmiş Plakaya yapıya ağır gelecek Davlumbaz ağırlığı olmaksızın bağlanması **gerekir**.

4 Kablonun montaj sistemi 3 parçadan oluşur:

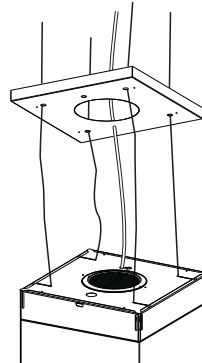
- Tavan Plakasına monte edilmiş dişli mandal (**a**).
- Ürünle birlikte gelen kablo tutucu vidalar (**b**).
- Ürünle birlikte gelen güvenlik topuzu (**c**).



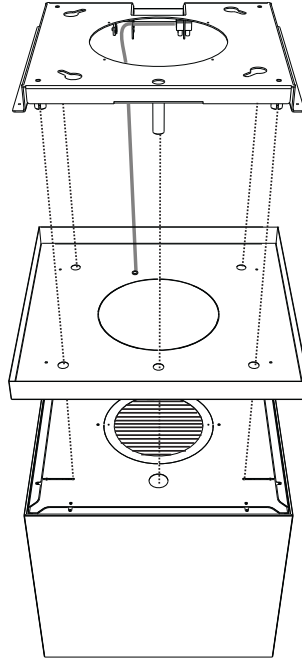
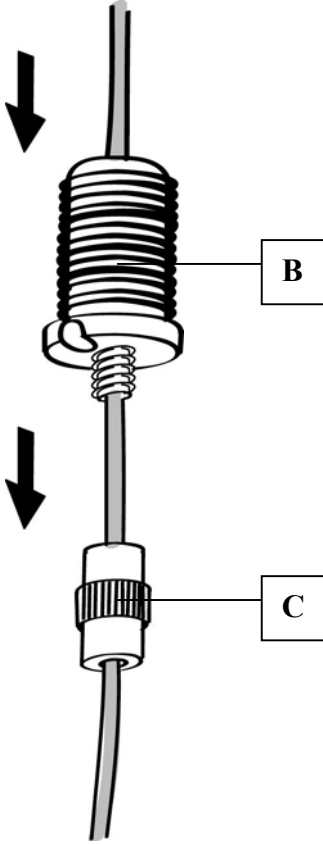
- Hattın tavana monte düzlemdeki ile aynı olduğundan emin olarak 4 kabloyu (Davlumbaz Gövdesine asılıdır) sökmeden önce Plaka Kaplamasının ilgili deliklerinden geçirin.

- Davlumbaz güç kablosunu kapaktaki deliğe geçirin.

**Dikkat: Güç kablosunu davlumbaza bağlayan kelepçeyi kırmayın veya çıkartmayın.**

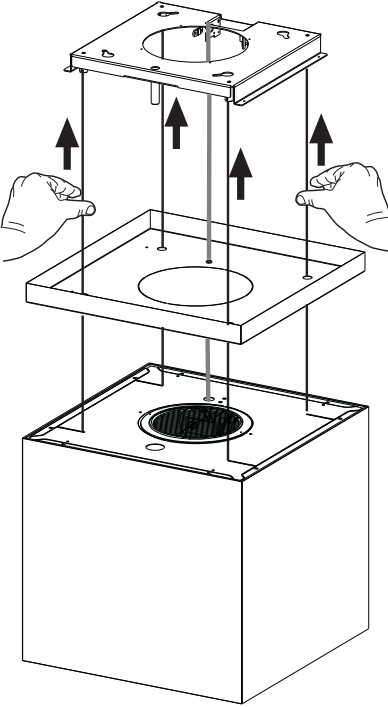
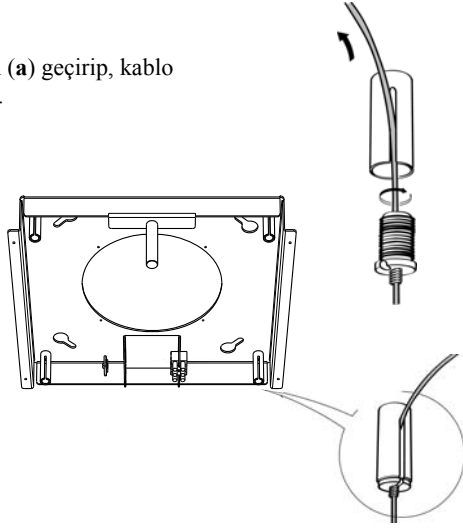


- Tavana monte edilmiş Plakanın yönüne dikkat edin (Plakanın hareket yolu sonu mandalının deliği Plaka Kaplamasında ve Davlumbaz gövdesinde bulunur).



- Güvenlik topuzlarını (c) yukarı doğru dişlerle ilgili kablolarla yerleştirin.
- Kablo sabitleme vidalarını (b) ilgili kablolarla yerleştirin.

- Kabloları dişli Mandalların deliklerinden (a) geçirip, kablo tutucu Vidaları (b) Mandallara vidalayın.
- İşlem tamamlandığında sonuç 4 Kablonun her biri için şekilde gösterildiği gibi olmalıdır.



- Bu noktaya geldiğimizde 4 Kablonun hepsini Plakaya bağlamış oluruz.

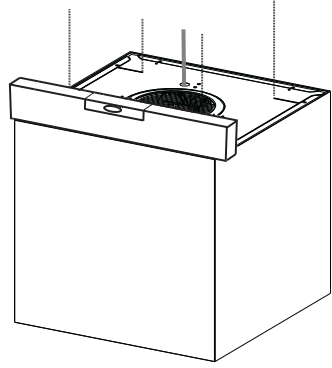
**Kablo tutma Vidalarının içinden ve dişli Mandalların deliğinden dışarı doğru kaydıracak şekilde iterek Kabloları gerginleştirin.**

**Kablo tutma Vidalarında içinden geçen kablunun bir yöne kaydırılmasına izin verirken diğer yöne kaydırılmasını engelleyen bir sistem bulunduğundan bunu yapabilirsiniz.**

**Son dengeleme işlemini gerçekleştirmek için Kabloların tümünün aynı uzunlukta olmasına ve sol arka halatın diğerlerinden daha kısa gevşek olmamasına dikkat edin.**

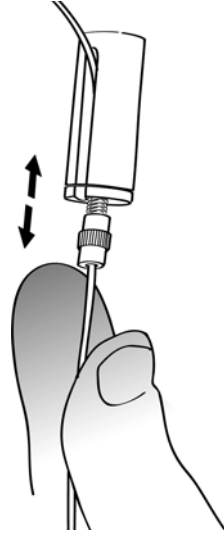
## DAVLUMBAZIN DENGELENMESİ

- Davlumbaz gövdesinin dengelenmesi gerekir.
- Davlumbazın dengeleme işlemi güvenlik Mandalları C kullanılarak gerçekleştirilir.



- Bir teraziyi davlumbazın üzerine yerleştirin.

- Güvenlik topuzlarının üzerinde yukarıya doğru baskı uyguladığımızda Kablo hareketinin “kilidi açılır”. Kabloları kablo tutma vidalarından ileri veya geri yönde geçirerek davlumbazın hareketli gövdesini dengelemenize izin veren ayarlama işlemlerini gerçekleştirebilirsiniz.
- Davlumbazı gerektiği gibi dengeledikten sonra güvenlik topuzlarının sıkılması gerekir.



### Dikkat:

- 4 askı kablosunun her birinin gergin olduğundan emin olun.
- 4 askı kablosunu hiçbirinin kurulum sırasında zarar görmediğinden emin olun.
- Davlumbaz ile pişirme düzlemi arasındaki mesafenin en az 650 mm olması gerektiğini unutmayın ve boyut çiziminde gösterilen davlumbaz için gerekli en yüksek genişlemeyi aşmamaya özen gösterin.

## **Baęlantılar**

### **TAHLİYELİ SİSTEMDE HAVA ÇIKIŞI**

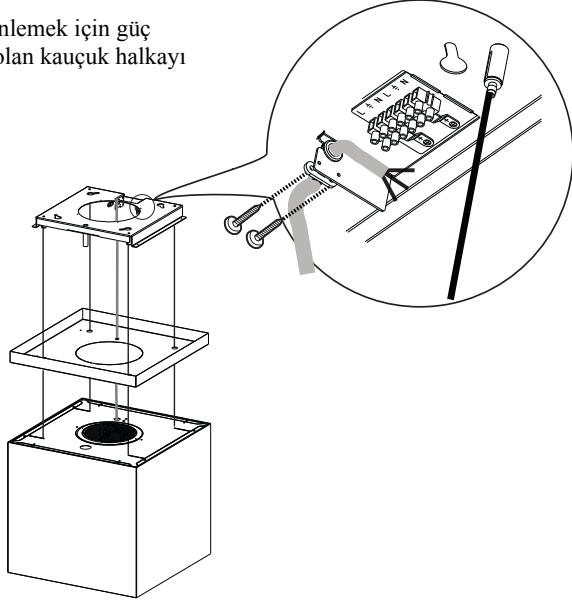
Tahliyeli sistemde çalışacak Davlumbazı Monte etmek için Davlumbaza özel tahliye Kitinde bulunan talimatlara başvurun.

### **FİLTRELİ SİSTEMDE HAVA ÇIKIŞI**

- Aydınlatma Grubunu özel girintisinden çekerek açın.
- Yaę Filtresini çıkarın.
- Koku önleyici Karbon Filtrelerin bulunduęundan emin olun.

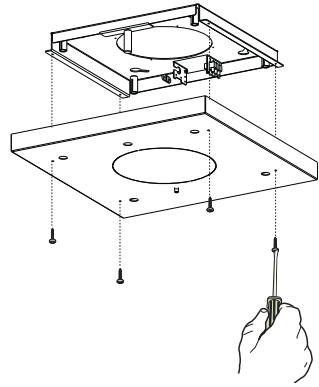
## GÜÇ KABLOSUNUN MONTAJI

- Güç kablosunu gerginleştirin ve 2 vida ile monte edilmiş olan dili kullanarak plaka askısına sabitleyin.
- Daha ileride zarar görmesini önlemek için güç kablosunun üstüne geçirilmiş olan kauçuk halkayı yuvasına yerleştirin.
- Davlumbazı, en az 3 mm kontak açılmalı çift kutuplu anahtarla Şebeke Beslemesine bağlayın.
- Yağlanmaya Karşı Filtreleri çıkartın (Bkz. “Bakım” bölümü) ve besleme Kablosunun konektörünün Aspiratöre doğru şekilde bağlandığından emin olun.
- Bu noktada, güç kablosunu davlumbaz gövdesine sabitleyen kelepçeyi kesebiliriz.



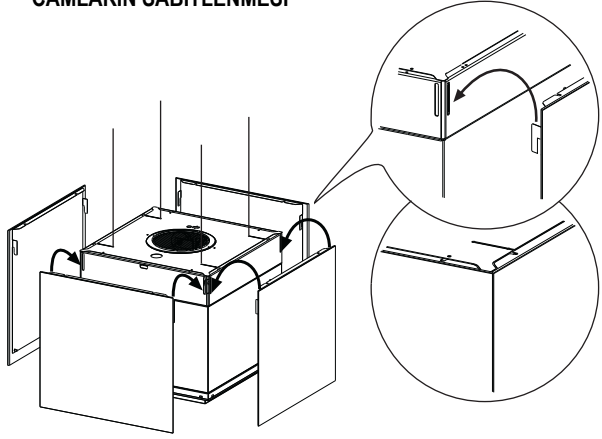
## PLAKA KAPAĞININ MONTAJI

- Daha önce çıkarılmış olan vidalarla plaka kapağını vidalayın.

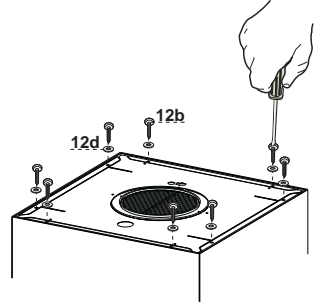


## CAMLARIN SABİTLENMESİ

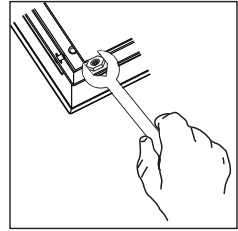
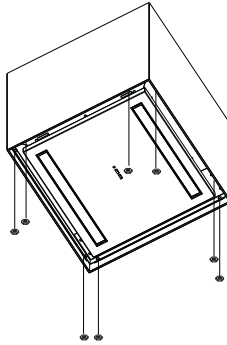
- Davlumba gövdesine, uygun dişli turnak yuvalarına kancalayarak 4 camı takın.
- 4 adet camın seviye tespitlerini, camlar üzerinde el yordamıyla küçük düzenlemeler yaparak gerçekleştirin.



- 4 Camı vidalarla **12b+12d**, camlar arası seviye tespitlerinin doğruluk ayarlarını saptayarak üstten sabitleyin.



- 4 Camı zarlarla **12c**, seviye tespitlerinin doğruluk ayarlarını saptayarak alttan sabitleyin.

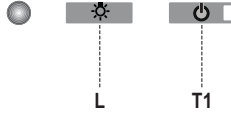


### Dikkat

Davlumbaz camlarının tamamen hizalandırılmış ve seviyelerinin doğrulanmış olmasına bakın. Bu durum sağlanamaz ise, düzeltmeleri zarları **12c** veya **12b** vidaları yavaşça çevirerek, söz konusu camların düzgün şekilde hizalanmasına olanak sağlanacaktır.



## Kumanda panosu



Tuş	Fonksiyonu	Gösterge
L	Işıkları Açar/Kapatır.	-
T1	<b>Davlumbaz Aşağıda</b> 2 saniye basılı tutulduğunda Davlumbazı kaldırır. Kısa süreli basıldığında Motoru Açar/Kapatır.	Yanar/Söner
	<b>Davlumbaz Yukarıda</b> İlk basış: Davlumbaz alçalır. İkinci basış: Davlumbaz durur. Hareket durduğunda motor ikinci Hızda açılır.	Söner/Söner

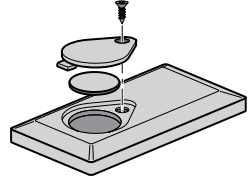
### Elektronik devre iki tip arıza algılar ve ilgili sinyali verir

T1 Ledi	
<b>Yavaş yavaş yanıp söner</b>	<b>Akım çekme eşiği aşılmış:</b> Bu durumda aşırı yüklenme durumu olup olmadığı kontrol edilir, arıza tuş takımı üzerinde <b>T1</b> ledinin her 2 saniyede bir yanıp sönmeye başladığını bildirilir. Davlumbazın hareketi sırasında hiçbir engel bulunmadığından emin olun. Bu sinyal yeni bir Davlumbaz açılma/kapanma komutuna kadar etkin kalır.
<b>Hızlı hızlı yanıp söner</b>	<b>Açılma aşamasında güvenlik mikro anahtarının müdahalesi:</b> Güvenlik mikro anahtarının müdahale etmesi halinde bu arıza <b>T1</b> ledinin hızlı hızlı (her 250ms'de bir) yanıp sönmeye başladığını bildirilir ve Davlumbazın hareket yolunun sonuna ulaştığını bildirir..... <b>Teknik Servisle bağlantı kurun!</b> Bu arıza sırasında davlumbazın fonksiyonlarını (ışıklar ve motor) daima açabilirsiniz ve motor açık olduğunda <b>T1</b> ledi yanıp sönmeye devam ederek arızanın hala devam ettiğini bildirir.

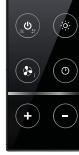
## KUMANDA

Bu cihaz, 3 V'luk CR2032 tipli bir pil (dahil değildir) ile çalışan bir kumanda ile yönetilebilir.

- Kumandayı ısı kaynaklarının yakınında tutmayın.
- Pilleri normal çöplerle birlikte atmayın, uygun konteynerlere bertaraf edin.



## Kumanda panosu

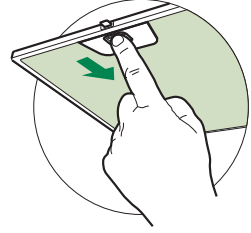


⏻	⏻	Motor Açma/Kapatma.	-
	↕	<b>Davlumbaz Kapatı:</b> - Bu tuşa kısa süre basıldığında davlumbaz alçalmaya başlar - Bir daha basıldığında durur. Hareket durdurulduğunda motor 2. hız kademesinde açılır.	-
		<b>Davlumbaz Açık:</b> - 2 saniye basılı tutulduğunda yükselme hareketi başlar ve hareket yolunun sonunda durur. - Basıldığında (kısa süreli) hareket durur (hareket yolunun sonuna gelmeden). - Daha da kısa süreli basıldığında motoru açar/kapatır. - 2 saniye basılı tutulduğunda yükselme hareketi başlar. - Motor açaksa, önce motor durur, ardından hareket başlar.	-
	%	-	-
☀		Davlumbazın Işıklarını Yakar/Söndürür.	-
⚙	⚙	<b>YOĞUN</b> - Yalnızca davlumbaz aşağı inmiş halde ve <b>gecikme</b> veya <b>24h</b> devrede olmadığında kullanılır. - Herhangi bir hızdayken Yoğun kademeyi başlatabilirsiniz. Kapatmak için aynı tuşa tekrar basmanız veya motor kapatmanız yeterlidir. - Yoğun hız kademesi 6 dakika sürelidir. 6 dakikanın sonunda sistem otomatik olarak daha önce ayarlanan hıza geri döner.	Motor tuşunun üzerinde bulunan led (davlumbaz kumandalarında) saniyede 1 kez yanıp söner.
⏻	⌚	<b>Gecikme Fonksiyonuna kısa süreli basıldığında:</b> Yalnızca <b>Yoğun</b> veya <b>24h</b> seçenekleri devrede değilken kullanılabilir. 30 dakika sonra davlumbazın tamamen (motor+ışıklar) kapatılmasını devreye alır ve devreden çıkarır. Gecikme fonksiyonunu devre dışı bırakmak için aynı tuşa basın veya motoru kapatın.	Motor tuşunun üzerinde bulunan led (davlumbaz kumandalarında) saniyede 0,5 saniyede bir yanıp söner.
		<b>24H Fonksiyonu 2 saniye basılı tutulduğunda:</b> Yalnızca <b>Yoğun</b> veya <b>Gecikme</b> seçenekleri devrede değilken kullanılabilir. 24 saat boyunca her saatte 10 dakika çalışma fonksiyonunu devreye alır ve devre dışı bırakır. Süre dolduğunda devre dışı kalır.	Motor tuşunun üzerinde bulunan led (davlumbaz kumandalarında) saniyede 2 saniyede bir yanıp söner.
+		Motor Hızının Artırılması.	-
-		Motor Hızının Düşürülmesi.	-

# TEMİZLİK VE BAKIM

## Metal yağ filtresi

Bulaşık makinesinde yıkanabilir, en azından yaklaşık her 2 aylık kullanımdan sonra veya daha sık yıkanması gerekir, özellikle yoğun kullanım içindir.



### METAL YAĞ FİLTRESİ TEMİZLİĞİ

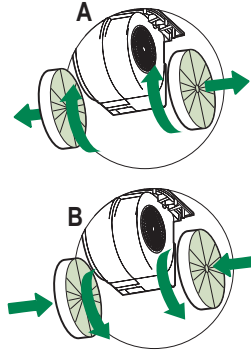
- Aydınlatma grubunu özel girintisinden çekerek açın
- Filtreyi grubun arka bölümüne doğru iterek ve aynı anda aşağıya doğru çekerek çıkartın.
- Bükülmemesine özen göstererek emme panelini yıkayın ve kurmadan önce kurumasını bekleyin.
- Tutamağın dış görünür tarafta olduğuna dikkat ederek filtreleri tekrar monte edin.
- Aydınlatma grubunu tekrar kapatın.

### Koku Önleyici Aktif Karbon Filtreler (Filtreli Sistem)

Bu filtreler yıkanamaz ve tekrar kullanılamaz, yaklaşık her 4 aylık kullanımdan sonra veya daha sık yıkanması gerekir, özellikle yoğun kullanım içindir.

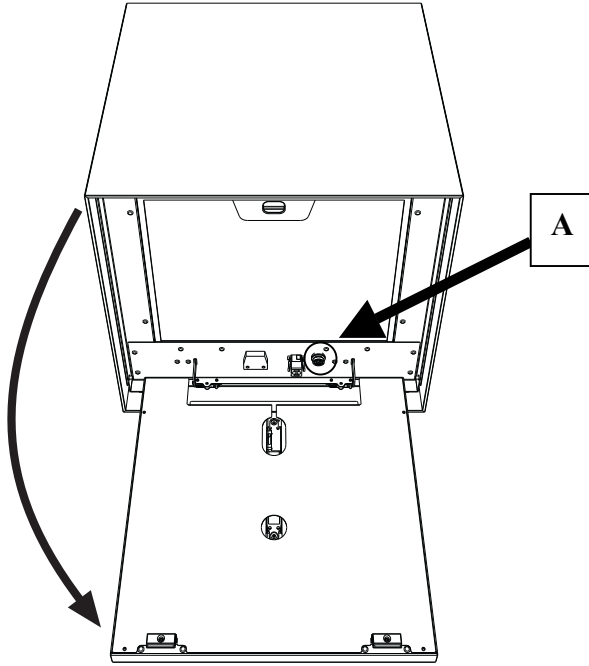
#### DEĞİŞTİRME

- Aydınlatma Grubunu açın.
- Yağ Filtresini çıkarın.
- Dolmuş olan aktif karbon koku önleyici filtreleri resimde gösterildiği şekilde (A) çıkarınız.
- Yeni Filtreleri belirtilen şekilde (B) takınız.
- Yağ Filtresini ve Aydınlatma Grubunu yerine takın.



### Aydınlatma

- Değiştirmek için Teknik Servisle bağlantı kurun ("Edinmek için teknik servisle bağlantı kurun").



### **Hareket arızası halinde uygulanacak prosedür**

16. Sigortaların doğru şekilde yerleştirilmiş ve sağlam olup olmadığını kontrol edin, değiştirmeniz gerekirse, aydınlatma grubunu açın ve sigorta yuvasının vidalarını sökerek aynı özelliklerdeki sigortalarla değiştirin (Ref.A).
17. Davlumbaz gövdesinin dengeli bir şekilde monte edildiğinden emin olun (terazi kullanmanız önerilir).
18. Dört halatın dördünün de aynı şekilde gergin olduğundan emin olun.

Yukarıdaki işlemler sorunu gidermezse, Teknik Servisle bağlantı kurun.







CE