

TECHNICAL PASSPORT

ПАСПОРТ ТЕХНИЧЕСКОГО ИЗДЕЛИЯ

НО 658 Т, НО 658 W

ELECTRIC OVENS

ЭЛЕКТРИЧЕСКИЕ ДУХОВЫЕ ШКАФЫ

KUPPERSBERG



SAFETY INSTRUCTIONS 3
 DESCRIPTION OF THE APPLIANCE 5
 INSTALLATION 6
 OPERATION 8
 BAKING IN THE OVEN – PRACTICAL HINTS..... 14
 CLEANING AND MAINTENANCE 16
 TECHNICAL DATA 20



DEAR CUSTOMER,

The oven is exceptionally easy to use and extremely efficient. After reading the instruction manual, operating the oven will be easy.

Before being packaged and leaving the manufacturer, the oven was thoroughly checked with regard to safety and functionality.

Before using the appliance, please read the instruction manual carefully.

By following these instructions carefully you will be able to avoid any problems in using the appliance.

It is important to keep the instruction manual and store it in a safe place so that it can be consulted at any time.

It is necessary to follow the instructions in the manual carefully in order to avoid possible accidents.



Caution!

Do not use the oven until you have read this instruction manual.

The oven is intended for household use only.

The manufacturer reserves the right to introduce changes which do not affect the operation of the appliance.



SAFETY INSTRUCTIONS

Warning: The appliance and its accessible parts become hot during use. Care should be taken to avoid touching heating elements. Children less than 8 years of age shall be kept away unless continuously supervised.

This appliance can be used by children aged from 8 years and above and persons with reduced physical, sensory or mental capabilities or lack of experience and knowledge if they have

been given supervision or instruction concerning use of the appliance in a safe way and understand the hazards involved. Children shall not play with the appliance. Cleaning and user maintenance shall not be made by children without supervision.

During use the appliance becomes hot. Care should be taken to avoid touching heating elements inside the oven.

Accessible parts may become hot during use. Young children should be kept away.

Warning: Do not use harsh abrasive cleaners or sharp metal scrapers to clean the oven door glass since they can scratch the surface, which may result in shattering of the glass.

Warning: Ensure that the appliance is switched off before replacing the lamp to avoid the possibility of electric shock.

You should not use steam cleaning devices to clean the appliance.

➤ Ensure that small items of household equipment, including connection leads, do not touch the hot oven as the insulation material of this equipment is usually not resistant to high temperatures.

➤ Do not leave the oven unattended when frying. Oils and fats may catch fire due to overheating or boiling over.

➤ Do not put pans weighing over 15 kg on the opened door of the oven.

➤ Do not use harsh cleaning agents or sharp metal objects to clean the door as they can scratch the surface, which could then result in the glass cracking.

Electric oven

➔ Do not use the oven in the event of a technical fault. Any faults must be fixed by an appropriately qualified and authorised person.

➔ In the event of any incident caused by a technical fault, disconnect the power and report the fault to the service centre to be repaired.

➔ The rules and provisions contained in this instruction manual should be strictly observed. Do not allow anybody who is not familiar with the contents of this instruction manual to operate the oven.

➔ The appliance has been designed only for cooking. Any other use (for example for heating) does not comply with its operating profile and may cause danger.

HOW TO SAVE ENERGY

Using energy in a responsible way not only saves money but also helps the environment. So let's save energy! And this is how you can do it:



➔ **Do not uncover the pan too often (a watched pot never boils!).**

Do not open the oven door unnecessarily often.

➔ **Only use the oven when cooking larger dishes.**

Meat of up to 1 kg can be prepared more economically in a pan on the cooker hob.

➔ **Make use of residual heat from the oven.**

If the cooking time is greater than 40 minutes switch off the oven 10 minutes before the end time.

! Important!

When using the timer, set appropriately shorter cooking times according to the dish being prepared.

➔ **Make sure the oven door is properly closed.**

Heat can leak through spillages on the door seals. Clean up any spillages immediately.

➔ **Do not install the cooker in the direct vicinity of refrigerators/freezers.**

Otherwise energy consumption increases unnecessarily.

UNPACKING

During transportation, protective packaging was used to protect the appliance against any damage. After unpacking, please dispose of all elements of packaging in a way that will not cause damage to the environment.



All materials used for packaging the appliance are environmentally friendly; they are 100% recyclable and are marked with the appropriate symbol.

Caution! During unpacking, the packaging materials (polythene bags, polystyrene pieces, etc.) should be kept out of reach of children.

Electric oven



DISPOSAL OF THE APPLIANCE

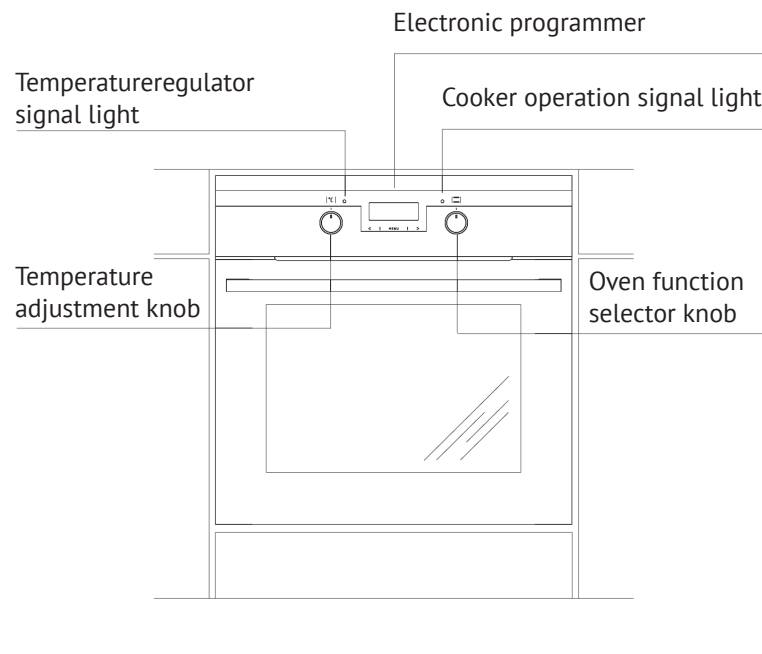
Old appliances should not simply be disposed of with normal household waste, but should be delivered to a collection and recycling centre for electric and electronic equipment. A symbol shown on the product, the instruction manual or the packaging shows that it is suitable for recycling.

Materials used inside the appliance are recyclable and are labelled with information concerning this. By recycling materials or other parts from used devices you are making a significant contribution to the protection of our environment.

Information on appropriate disposal centres for used devices can be provided by your local authority.

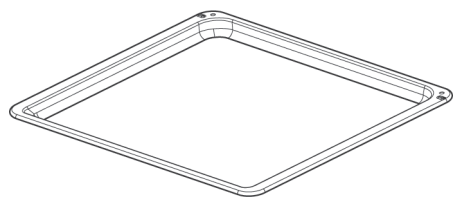


DESCRIPTION OF THE APPLIANCE

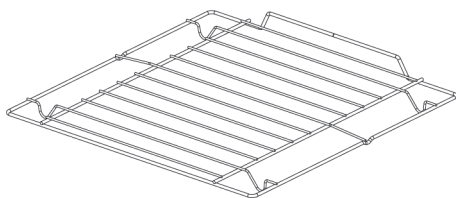


SPECIFICATIONS OF THE APPLIANCE

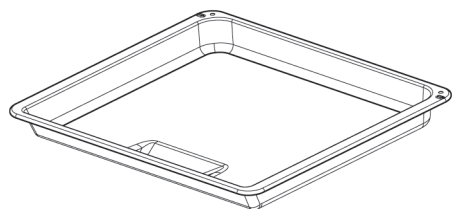
Cooker fittings:



Baking tray*

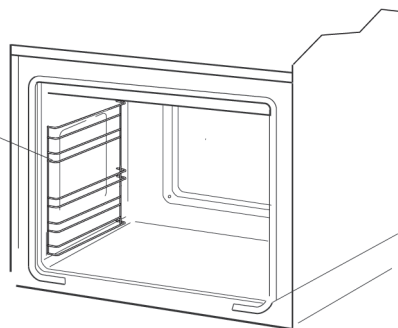


Grill grate (drying rack)



Roasting tray*

Side racks



*optional



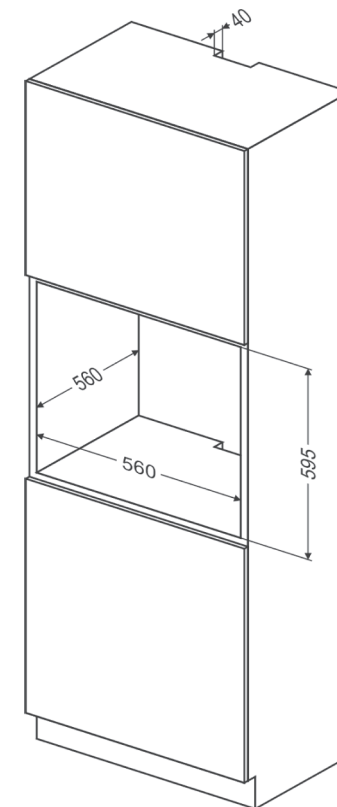
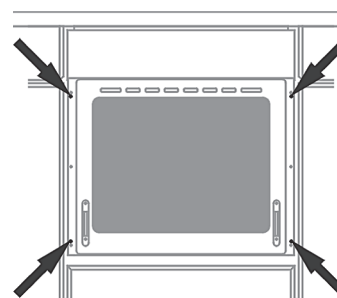
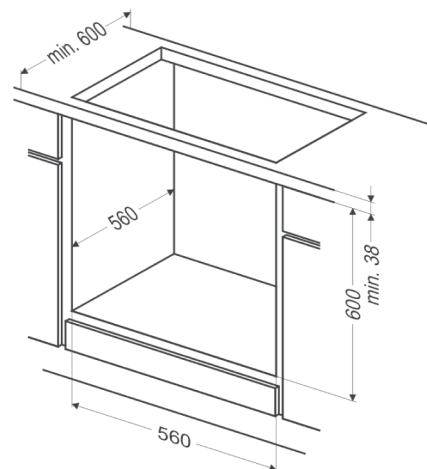
INSTALLATION

Installing the oven

➔ The kitchen area should be dry and aired and equipped with efficient ventilation. When installing the oven, easy access to all control elements should be ensured.

➔ This is a Y-type design built-in oven, which means that its back wall and one side wall can be placed next to a high piece of furniture or a wall. Coating or veneer used on fitted furniture must be applied with a heat-resistant adhesive (100°C). This prevents surface deformation or detachment of the coating.

- ➔ Hoods should be installed according to the manufacturer's instructions.
- ➔ Make an opening with the dimensions given in the diagram for the oven to be fitted.
- ➔ Make sure the mains plug is disconnected and then connect the oven to the mains supply.
- ➔ Insert the oven completely into the opening without allowing the four screws in the places shown in the diagram to fall out.



Electric oven

Electrical connection

➔ The oven is manufactured to work with a one-phase alternating current (230V 1N~50 Hz) and is equipped with a 3 x 1,5 mm² connection lead of 1.5 mm length with a plug including a protection contact.

➔ A connection socket for electricity supply should be equipped with a protection pin and may not be located above the cooker. After the cooker is positioned, it is necessary to make the connection socket accessible to the user.

➔ Before connecting the oven to the socket, check if:

- ⇒ the fuse and electricity supply are able to withstand the cooker load,
- ⇒ the electricity supply is equipped with an efficacious ground system which meets the requirements of current standards and provisions,
- ⇒ the plug is within easy reach.

! Important!

If the fixed power supply cable is damaged, it should be replaced at the manufacturer or at an authorized servicing outlet, or by a qualified person to avoid danger.

! OPERATION

Before using the oven for the first time

- ➔ Remove packaging, clean the interior of the oven and the hob.
- ➔ Take out and wash the oven fittings with warm water and a little washing-up liquid.

➔ Switch on the ventillation in the room or open a window.

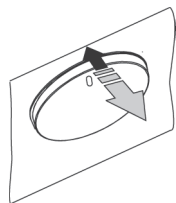
➔ Heat the oven (to a temperature of 250°C, for approx. 30 min.), remove any stains and wash carefully; the heating zones of the hob should be heated for around 4 min. without a pan.

The oven is equipped with a retractable knobs. In order to select a function do the following:

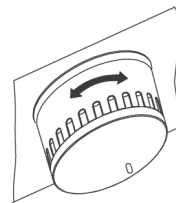
1. Gently press and release a knob which will pop out,
2. Turn the oven functions selection knob to the desired function.

Symbols printed around the knob indicate available oven functions.

1.



2.



! Important!

In ovens equipped with the electronic programmer Ts, the time "0.00" will start flashing in the display

field upon connection to the power supply.

The programmer should be set with the current time. (See Electronic programmer). If the current time is not set operation of the oven is impossible.

The electronic prgrammer Ts is equipped with electronic sensors which are switched on by touching or pressing the sensor surface for at least one second.

Each sensor reaction is confirmed by the beep.Keep the sensor surface clean at all times.

Electronic programmer

functions

- MENU – function selection button
- < – sensor “-”
- > – sensor “+”

The electronic prgrammer Ts is equipped with electronic sensors which are switched on by touching or pressing the sensor surface for at least one second.

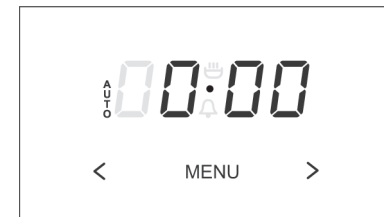
Each sensor reaction is confirmed by the beep.

Keep the sensor surface clean at all times.

Setting the time

After connection to the mains or reconnection after a power cut the display shows flash ,

Electric oven



➔ Touch and hold MENU (or simultaneously touch < and >) until you will see on the display and the dot below the symbol is flashing,

➔ Touch < or > within 7 seconds to set the current time.

To store the new time setting, wait approximately 7 seconds after time has been set. The dot below the symbol will stop flashing.

You can adjust the time later. To do this touch </>, simultaneously and adjust the current time while the dot below the symbol is flashing.

Caution!

If the correct time is not set then proper operation of the oven is not possible.

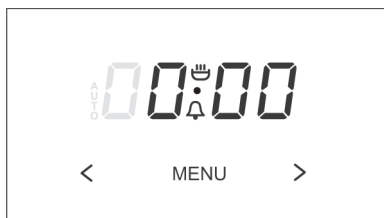
Timer

The timer can be activated at any time, regardless of the status of other functions. The timer can be set for from 1 minute to up to 23 hours and 59 minutes.


To set the timer you should:

- ➔ Press sensor MENU, then the display will show flashing ,

Electric oven



➔ set the timer using sensors </>. The time set is shown on the display and the signal function is on.

➔ Press sensor MENU, </> in order to switch off the signal,  the signal function will go out and the display will show the current time.

Caution!

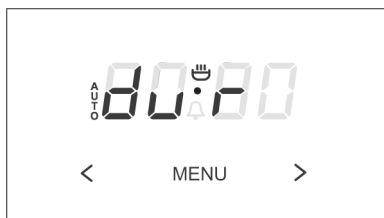
If the alarm signal is not turned off manually, it will be turned off automatically after approx. 7 minutes.

Semi-automatic operation

If the oven is to be switched off at a given time, then you should:

➔ Set the oven function knob and the temperature regulator knob to the setting at which you want the oven to operate.

➔ Press sensor MENU until the display will show:



➔ Set the required time using sensors </>, within a range from 1 minute to 10 hours.

The set time will be introduced to the memory after approx. 7 seconds and the display will show AUTO function.

When the set time has passed the oven is switched off automatically, the alarm signal is activated and the signal function AUTO flashing again;

➔ Set the oven function knob and the temperature regulator knob to the switched-off position.

➔ Press sensor MENU, </> in order to switch off the signal; the signal function will go out and the display will show the current time.

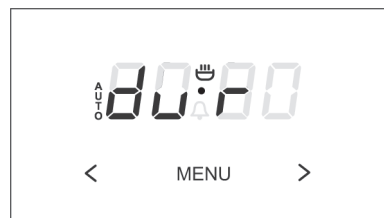
Caution!

In ovens equipped with one control knob, the oven function knob is integrated with the temperature regulator knob.

Automatic operation

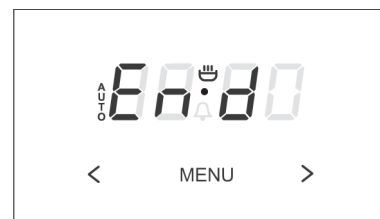
If the oven is to be switched on for a specified period of time and switched off at a fixed hour then you should set the operation time and the operation end time:

➔ Press sensor MENU until the display will show:





➔ Set the required time using the sensors </> within a range from 1 minute to 10 hours.

➔ Press sensor MENU until the display will show:



➔ Set the switch-off time (operation end time) using sensors </>, which is limited to a period of 23 hours and 59 minutes from the current time.

➔ Set the oven function knob and the temperature regulator knob to the setting at which you want the oven to operate.

The signal lights by  and  are now on; the oven will start operating from the point when the difference between the set operation end time and the operation duration time occurs (e.g. the operation time is set to 1 hour, the operation end time is set to 14.00, so the oven will start working automatically at 13.00).

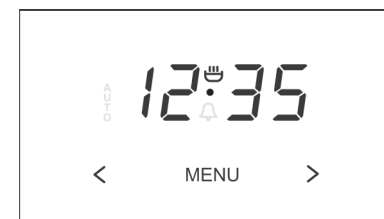
The function AUTO is now on; the oven will start operating from the point when the difference between the set operation end time and the operation duration time occurs (e.g. the operation time is set to 1 hour, the operation end

time is set to 14.00, so the oven will start working automatically at 13.00).

When the oven reaches the operation end time it will switch off automatically, the alarm will be activated and the function AUTO will start flashing again.

➔ Set the oven function knob and the temperature regulator knob to the switched-off position.

➔ Press sensor MENU, </> in order to switch off the alarm; the function AUTO will go out and the display will show the current time.

**Cancel settings**

Timer and automatic function settings may be cancelled at any time.

Cancel automatic function settings:

➔ press sensors </> simultaneously,

Cancel timer settings:

➔ press sensor MENU to select timer settings,

➔ press sensors </> again,

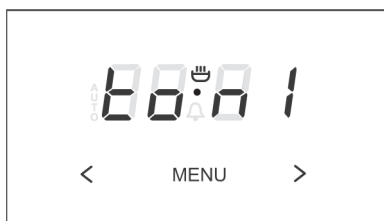
Change the timer beeps

The tone of the timer beeps may be changed as follows:

➔ press sensors </> simultaneously,

➔ select "tone" function with the 1 sensor, the display panel will start to blink:

Electric oven



➞ with the > sensor press the appropriate sensors from 1 to 3 to select the option you wish.

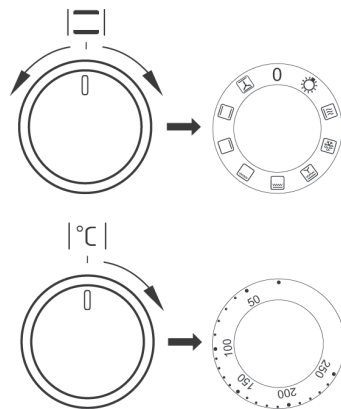
Oven functions and operation.**Oven with automatic air circulation (including a fan and top and bottom heaters)**

The oven can be warmed up using the bottom and top heaters, as well as the grill. Operation of the oven is controlled by the oven function knob – to set a required function you should turn the knob to the selected position, as well as the temperature regulator knob – to set a required function you should turn the knob to the selected position.

The oven is equipped with a retractable knobs. In order to select a function do the following:

- Gently press and release a knob which will pop out,
- Turn the oven functions selection knob to the desired function.

Symbols printed around the knob indicate available oven functions.



The oven can be switched off by setting both of these knobs to the position "●"/"0".

Caution!

When selecting any heating function (switching a heater on etc.) the oven will only be switched on after the temperature has been set by the temperature regulator knob.

0

Oven is off

**Independent oven lighting**

Set the knob in this position to light up the oven interior.

**Rapid Preheating**

Top heater, roaster and fan on. Use to preheat the oven.

**Defrosting**

Only fan is on and all heaters are off.

**Fan and combined grill on**

When the knob is turned to this position, the oven activates the combined grill and fan function. In practice, this function allows the grilling process to be speeded up and an improvement in the taste of the dish. You should only use the grill with the oven door shut.

**Enhanced roaster (super roaster)**

In this setting both roaster and top heater are on. This increases temperature in the top part of the oven's interior, which makes it suitable for browning and roasting of larger portions of food.

**Roaster on.**

Roasting is used for cooking of small portions of meat: steaks, schnitzel, fish, toasts, Frankfurter sausages, (thickness of roasted dish should not exceed 2-3 cm and should be turned over during roasting).

**Bottom heater on**

When the knob is set to this position the oven is heated using only the bottom heater. Baking of cakes from the


bottom until done (moist cakes with fruit stuffing).

**Top and bottom heaters on**

Set the knob in this position for conventional baking. This setting is ideal for baking cakes, meat, fish, bread and pizza (it is necessary to preheat the oven and use a baking tray) on one oven level.

**Top heater, bottom heater and fan are on.**

This knob setting is most suitable for baking cakes. Convection baking (recommended for baking).

When the  functions have been selected but the temperature knob is set to zero only the fan will be on. With this function you can cool the dish or the oven chamber.

Switching on the oven is indicated by red signal light, turning on. If the red light goes out, it means the oven has reached the set temperature. If a recipe recommends placing dishes in a warmed-up oven, this should be not done before the red light goes out for the first time. When baking, the red light will temporarily come on and go out (to maintain the temperature inside the oven).

Electric oven

Use of the grill

The grilling process operates through infrared rays emitted onto the dish by the incandescent grill heater.

In order to switch on the grill you need to:

- ➔ Set the oven knob to the position marked grill,
- ➔ Heat the oven for approx. 5 minutes (with the oven door shut).
- ➔ Insert a tray with a dish onto the appropriate cooking level; and if you are grilling on the grate insert a tray for dripping on the level immediately below (under the grate).
- ➔ Close the oven door.

For grilling with the function grill and combined grill the temperature must be set to 250°C, but for the function fan and grill it must be set to a maximum of 190°C.

Warning!

When using function grill it is recommended that the oven door is closed. When the grill is in use accessible parts can become hot. It is best to keep children away from the oven.



BAKING IN THE OVEN – PRACTICAL HINTS

Baking

- ➔ we recommend using the baking trays which were provided with your cooker;
- ➔ it is also possible to bake in cake tins and trays bought elsewhere which should be put on the drying rack; for

baking it is better to use black trays which conduct heat better and shorten the baking time;

- ➔ shapes and trays with bright or shiny surfaces are not recommended when using the conventional heating method (top and bottom heaters), use of such tins can result in undercooking the base of cakes;
- ➔ when using the ultra-fan function it is not necessary to initially heat up the oven chamber, for other types of heating you should warm up the oven chamber before the cake is inserted;
- ➔ before the cake is taken out of the oven, check if it is ready using a wooden stick (if the cake is ready the stick should come out dry and clean after being inserted into the cake);
- ➔ after switching off the oven it is advisable to leave the cake inside for about 5 min.;
- ➔ temperatures for baking with the ultra-fan function are usually around 20 – 30 degrees lower than in normal baking (using top and bottom heaters);
- ➔ the baking parameters given in Table are approximate and can be corrected based on your own experience and cooking preferences;
- ➔ if information given in recipe books is significantly different from the values included in this instruction manual, please apply the instructions from the manual.

Roasting meat

- ➔ cook meat weighing over 1 kg in the oven, but smaller pieces should be cooked on the gas burners.

Electric oven

- ➔ use heatproof ovenware for roasting, with handles that are also resistant to high temperatures;
- ➔ when roasting on the drying rack or the grate we recommend that you place a baking tray with a small amount of water on the lowest level of the oven;
- ➔ it is advisable to turn the meat over at least once during the roasting time and during roasting you should also baste the meat with its juices or with hot salty water – do not pour cold water over the meat.

Oven with automatic air circulation (including a fan and top and bottom heaters)

Type of dish	Oven functions	Temperature °C	Level (1-4)	Time in minutes
		160-200	2-3	30-50
		150	3	25-35
		160-180	2	20 - 40*
		150	3	65-70
		220 - 240	3	10-15
		210-220	2	45-60
		190	2-3	60-70
		230 - 250	4	14-18
		225 - 250	2	120-150
		160-230	2	90-120
		190	2-3	50-60
		160-180	2	45-60
		190-210	2	40-50
		170-190	3	40-50

* Baking smaller items

Caution!

The figures given in Tables are approximate and can be adapted based on your own experience and cooking preferences.



CLEANING AND MAINTENANCE

By ensuring proper cleaning and maintenance of your cooker you can have a significant influence on the continuing fault-free operation of your appliance.

Before you start cleaning, the cooker must be switched off and you should ensure that all knobs are set to the position "off". Do not start cleaning until the cooker has completely cooled.

Oven

➔ The oven should be cleaned after every use. When cleaning the oven the lighting should be switched on to enable you to see the surfaces better.

➔ The oven chamber should only be washed with warm water and a small amount of washing-up liquid.

➔ After cleaning the oven chamber wipe it dry.

➔ Steam Cleaning function:

⇒ -pour 250ml of water (1 glass) into a bowl placed in the oven on the first level from the bottom,

⇒ - close the oven door,

⇒ - set the temperature knob to 50°C, and the function knob to the bottom heater position

⇒ - heat the oven chamber for approximately 30 minutes,

⇒ - open the oven door, wipe the chamber inside with a cloth or sponge and wash using warm water with washing-up liquid.,

➔ After cleaning the oven chamber wipe it dry.

Caution!

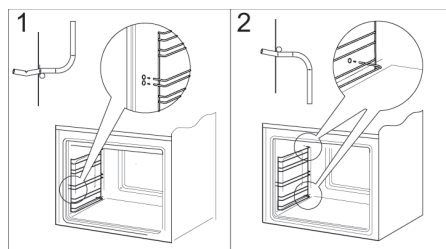
Do not use cleaning products containing abrasive materials for the cleaning and maintenance of the glass front panel.

Important!

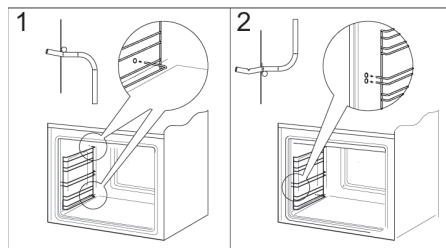
Do not use any abrasive agents, harsh detergents or abrasive objects for cleaning.

Only use warm water with a small amount of dishwashing liquid to clean the front of the appliance. Do not use washing powders or creams.

➔ Ovens in cookers marked with the letter D are equipped with easily removable wire shelf supports. To remove them for washing, pull the front catch, then tilt the support and remove from the rear catch.



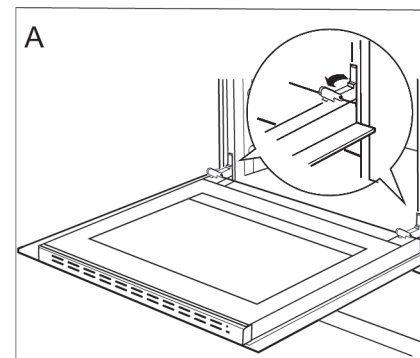
Removing wire shelf supports



Installing wire shelf supports

Door removal

In order to obtain easier access to the oven chamber for cleaning, it is possible to remove the door. To do this, tilt the safety catch part of the hinge upwards (fig. A). Close the door lightly, lift and pull it out towards you. In order to fit the door back on to the cooker, do the inverse. When fitting, ensure that the notch of the hinge is correctly placed on the protrusion of the hinge holder. After the door is fitted to the oven, the safety catch should be carefully lowered down again. If the safety catch is not set it may cause damage to the hinge when closing the door.

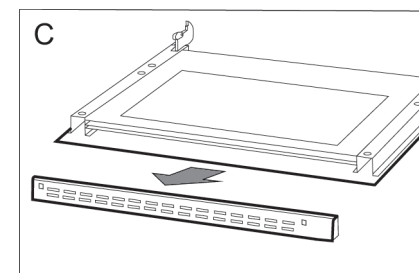
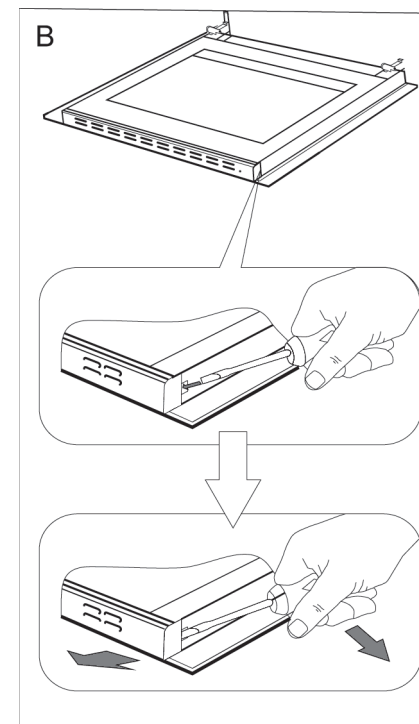


Tilting the hinge safety catches

Removing the inner panel

1. Using a flat screwdriver unhook the upper door slat, prying it gently on the sides (fig. B).

2. Pull the upper door slat loose. (fig. B, C)



Electric oven

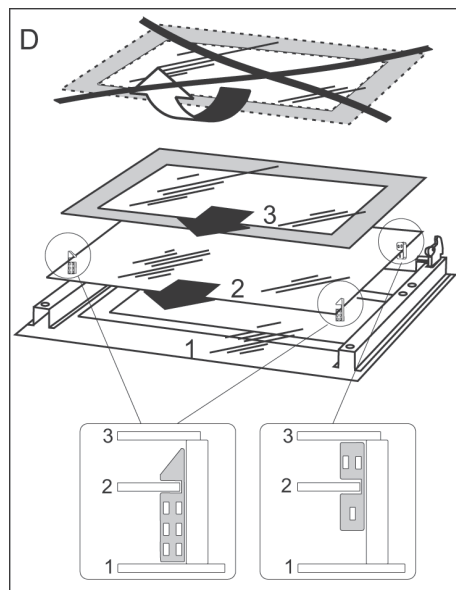
3. Pull the inner glass panel from its seat (in the lower section of the door). Remove the inner panel (fig. D).

4. Clean the panel with warm water with some cleaning agent added.

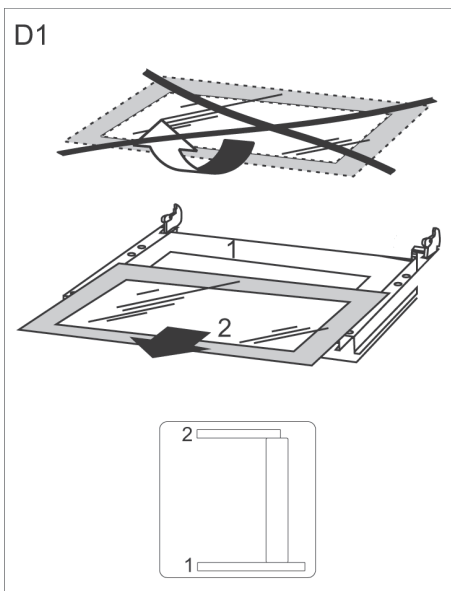
Carry out the same in reverse order to reassemble the inner glass panel. Its smooth surface shall be pointed upwards.

Important!

Do not force the upper strip in on both sides of the door at the same time. In order to correctly fit the top door strip, first put the left end of the strip on the door and then press the right end in until you hear a "click". Then press the left end in until you hear a "click".



Removal of the internal glass panel. 3 glass.



Removal of the internal glass panel 2 glass.

Replacement of the oven light bulb

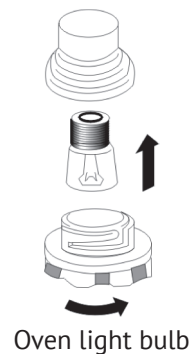
In order to avoid the possibility of an electric shock ensure that the appliance is switched off before replacing the bulb.

➔ Set all control knobs to the position "●"/"0" and disconnect the mains plug,

➔ unscrew and wash the lamp cover and then wipe it dry.

➔ unscrew the light bulb from the socket, replace the bulb with a new one – a high temperature bulb (300°C) with the following parameters:

- voltage 230 V
- power 25 W
- thread E14.



Oven light bulb

- ➔ Screw the bulb in, making sure it is properly inserted into the ceramic socket.
- ➔ Screw in the lamp cover.

Regular inspections

Besides keeping the oven clean, you should:

➔ carry out periodic inspections of the control elements and cooking units of the cooker. After the guarantee has expired you should have a technical inspection of the cooker carried out at a service centre at least once every two years,

- ➔ fix any operational faults,
- ➔ carry out periodical maintenance of the cooking units of the oven.

Caution!

All repairs and regulatory activities should be carried out by the appropriate service centre or by an appropriately authorised fitter.



OPERATION IN CASE OF EMERGENCY

In the event of an emergency, you should:

- ➔ switch off all working units of the oven
- ➔ disconnect the mains plug
- ➔ call the service centre
- ➔ some minor faults can be fixed by referring to the instructions given in the table below. Before calling the customer support centre or the service centre check the following points that are presented in the table.

PROBLEM	REASON	ACTION
1. The appliance does not work.	Break in power supply.	Check the household fuse box; if there is a blown fuse replace it with a new one.
2. The programmer display shows "0:00".	The appliance was disconnected from the mains or there was a temporary power cut.	Set the current time (see 'Use of the programmer').
3. The oven lighting does not work.	The bulb is loose or damaged.	Tighten up or replace the blown bulb (see 'Cleaning and Maintenance').



TECHNICAL DATA

Voltage rating230V~50 Hz
 Power ratingmax. 2,9 kW
 Cooker dimensions H/W/D59,5 / 59,5 / 57,5 cm

Complies with EU regulations EN 60335-1, EN 60335-2-6 standards

PRODUCT FICHE

The information in the product data sheet is given in accordance with the Commission delegated Regulation (EU) No 65/2014 supplementing Directive of the European Parliament and of the Council 2010/30/EU with regard to energy labelling of household ovens and range hoods

A	Supplier name	KUPPERSBERG
B1	Model identifier	HO 658 T 10162.3ETsDHbX 56509
B2		HO 658 W 10162.3ETsDHbW 56510
C	Energy efficiency index (EEI cavity)	106,1
D	Energy efficiency class	A
E	Energy consumption per cycle (EC electric cavity) conventional mode [kWh] fan-forced mode [kWh]	0,99
E1		0,87
E2		
F	Number of cavities	1
G	Heat source (electricity or gas)	V / O
H	Cavity volume [l]	65

In order to determine compliance with the eco-design requirements, the measurement methods and calculations of the following standards were applied: EN 60350-1

PRODUCT INFORMATION

Product information given in accordance with Commission Regulation (EU) No 66/2014 supplementing Directive of the European Parliament and Council Directive 2009/125/EC with regard to eco-design requirements for household ovens, hobs and range hoods

Household ovens

I1	Model identifier	HO 658 T 10162.3ETsDHbX 56509
I2		HO 658 W 10162.3ETsDHbW 56510
J	Oven type (electricity or gas)	V / O
K	Appliance weight [kg]	32,4
L	Number of cavities	1
M	Source of heat for each cavity (electricity or gas)	V / O
N	Volume of each cavity V [l]	65
O	Energy consumption needed to heat a standard charge in an electric oven cavity during a single cycle in conventional mode for each cavity (final electric energy consumption) EC electric cavity [kWh/cycle]	0,99
P	Energy consumption needed to heat a standard charge in an electric oven cavity during a single cycle in fan-forced mode for each cavity (final electric energy consumption) EC electric cavity [kWh/cycle]	0,87
Q	Energy efficiency index EEI cavity for each cavity	106,1

**СОДЕРЖАНИЕ**

ТЕХНИКА БЕЗОПАСНОСТИ.....	25
ОПИСАНИЕ УСТРОЙСТВА.....	28
МОНТАЖ	29
ЭКСПЛУАТАЦИЯ	31
ПРИГОТОВЛЕНИЕ ПИЩИ В ДУХОВКЕ - ПРАКТИЧЕСКИЕ СОВЕТЫ	37
ОБСЛУЖИВАНИЕ И УХОД	40
ПОВЕДЕНИЕ В АВАРИЙНЫХ СИТУАЦИЯХ.....	43
ТЕХНИЧЕСКИЕ ДАННЫЕ	44

**УВАЖАЕМЫЙ
ПОКУПАТЕЛЬ,**

Духовка объединяет в себе такие качества, как исключительная простота эксплуатации и стопроцентная эффективность. После прочтения инструкции у Вас не возникнет затруднений по обслуживанию духовки.

Духовка, при выпуске с завода, перед упаковкой была тщательно проверена на специ-альных стендах на предмет безопасности и работоспособности.

Просим Вас внимательно прочесть инструкцию по эксплуатации перед включением устройства. Следование изложенным в ней указаниям предотвратит неправильное использование духовки.

Инструкцию следует сохранить и держать в легко доступном месте. Во избежание не- счастливых случаев необходимо последовательно соблюдать положения инструкции по эксплуатации.

**Внимание!**

Духовкой пользоваться только после ознакомления с данной инструкцией. Духовка предназначена исключительно для домашнего использования.

Изготовитель оставляет за собой право внесения изменений, не влияющих на работу устройства.

**УКАЗАНИЯ ПО ТЕХНИКЕ
БЕЗОПАСНОСТИ**

Внимание! Оборудование и его доступные части нагреваются во время эксплуатации. Всегда следует помнить, что существует опасность травмы, при прикосновении к нагревательным элементам. Поэтому, во время работы оборудования - быть особо бдительными! Дети младше 8 лет не должны находиться вблизи оборудования, а если находятся, то под постоянным контролем взрослого ответственного лица.

Данное оборудование может обслуживаться детьми в возрасте от 8 лет и старше, лицами с физическими, мануальными или умственными ограничениями, либо лицами с недостаточным опытом и знаниями по эксплуатации оборудования, при условии, что происходит это под надзором ответственного лица или согласно с изученной с ответственным лицом инструкцией эксплуатации.

Особое внимание обратить на детей! Дети не могут играть оборудованием! Уборка и обслуживание оборудования не могут производиться детьми без надзора взрослых.

Во время работы оборудование нагревается. Следует соблюдать осторожность, не прикасаться к горячим частям внутри духовки.

Электрические духовые шкафы

Когда используется духовка, доступные части могут нагреться. Рекомендуется не подпускать к духовке детей.

Внимание! Не применять для чистки агрессивных моющих и чистящих средств, острых металлических предметов для чистки стекла дверей, так как данные средства могут поцарапать поверхность и привести к возникновению трещин на стекле.

Внимание. Для исключения возможности поражения электрическим током перед заменой лампочки убедитесь, что устройство выключено.

Для чистки духовки нельзя применять оборудование для чистки паром.

➔ Необходимо следить, чтобы мелкое кухонное оборудование и провода не соприкасались с нагретой духовкой и варочной поверхностью, поскольку изоляция этого оборудования не рассчитана на высокие температуры.

➔ Нельзя оставлять духовку без присмотра во время жарения. Масла и жиры могут загореться вследствие выкипания или нагревания.

➔ Не следует ставить на открытую дверцу духовки посуду весом более 15 кг.

➔ Нельзя пользоваться технически неисправной духовкой. Все изъяны должны устраняться только квалифицированным персоналом.

➔ В любом случае технической неисправности, немедленно отключить электропитание духовки и сообщить о необходимости ремонта.

➔ Оборудование было запроектировано исключительно для приготовления пищи. Всякое другое его применение (например, обогревание помещения) является несоответствующим его назначению и может быть опасным.

КАК ЭКОНОМИТЬ
ЭЛЕКТРОЭНЕРГИЮ

Рациональное использование электроэнергии позволяет не только снизить расходы, но и сохранить окружающую среду. Выполнение следующих простых правил позволит добиться наилучших результатов:



➔ Использование духовки только для приготовления большого объема пищи.

Мясо весом до 1 кг выгодней приготовить в кастрюле на варочной поверхности.

➔ Использование остаточного тепла духовки. Если блюдо готовится

более 40 минут отключить духовку за 10 минут до конца приготовления.

Внимание! Если используется таймер, установить его на более короткое время.

➔ Аккуратно закрывать дверцу духовки.

Загрязненные уплотнители дверцы духовки способствуют потере тепла. Загрязнения на уплотнителях следует устранять сразу.

➔ Не располагайте плиту вблизи холодильников/морозильных камер

Без необходимости возрастает потребление электричества

РАСПАКОВКА

Для транспортировки устройство было защищено от повреждений упаковкой. После удаления упаковки, просим Вас избавиться от ее частей способом, не наносящим ущерба окружающей среде.

Все материалы, использованные для изготовления упаковки, безвредны, на 100% подлежат переработке и обозначены соответствующим знаком.

Внимание! К упаковочным материалам (полиэтиленовые пакеты, куски пенопласта и т.п.) в процессе распаковки нельзя подпускать детей.

ИЗЪЯТИЕ ИЗ ЭКСПЛУАТАЦИИ

По окончании срока использования данное устройство нельзя выбросить, как обычные коммунальные отходы, его следует сдать в пункт приема и переработки электрических и электронных устройств. Об этом информирует знак, расположенный на устройстве, инструкции по эксплуатации и упаковке.

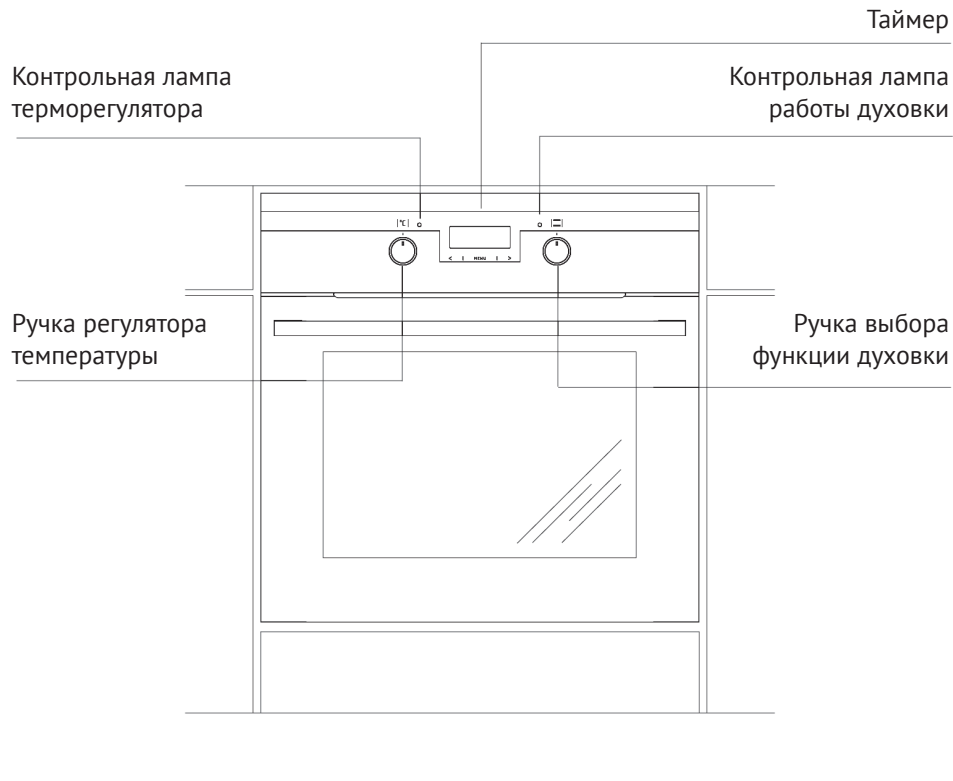


В устройстве использованы материалы, подлежащие повторному использованию в соответствии с их обозначением. Благодаря переработке, использованию материалов или иной формой использования отслуживших срок устройств вы внесете существенный вклад в сохранение окружающей среды.

Сведения о соответствующем пункте утилизации использованного оборудования вы можете получить в местной администрации.

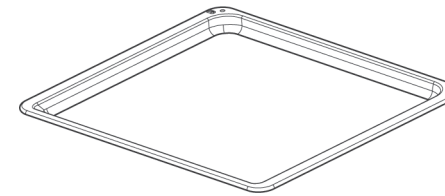


ОПИСАНИЕ УСТРОЙСТВА

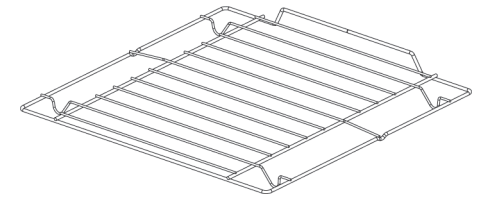


ОПИСАНИЕ УСТРОЙСТВА

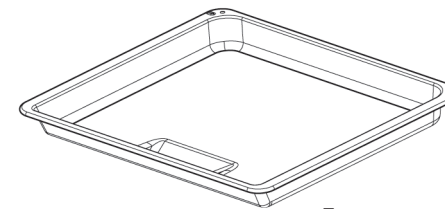
Оснащение плиты - перечень:



Поддон для выпечки*

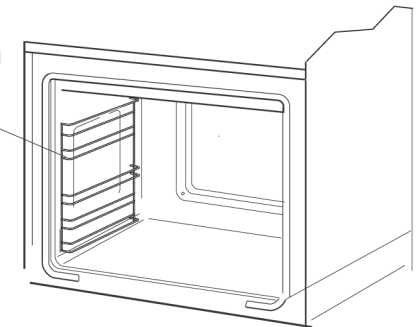


Решетка для гриля
(решетка для сушки)



Поддон для жарки*

Боковые лестнички



*для определенных моделей



МОНТАЖ

Монтаж духовки

Кухонное помещение должно быть сухим и проветриваемым, иметь исправную вентиляцию, а расположение духовки должно обеспечивать свободный доступ к элементам управления. Духовка изготовлена в категории Y. Мебель долж-

Электрические духовые шкафы

на иметь облицовку, а клей, которым она приклеена, выдерживать температуру 100°C. В противном случае возможна деформация поверхности или облицовки.

Подготовить отверстие с размерами, указанными на рисунках: А - установка под крышкой, В - высокая встройка. При наличии в шкафу задней стенки, в ней нужно вырезать отверстия для электрических проводов. Полностью вставить духовку в отверстие, закрепив ее четырьмя винтами. (Рис.С).

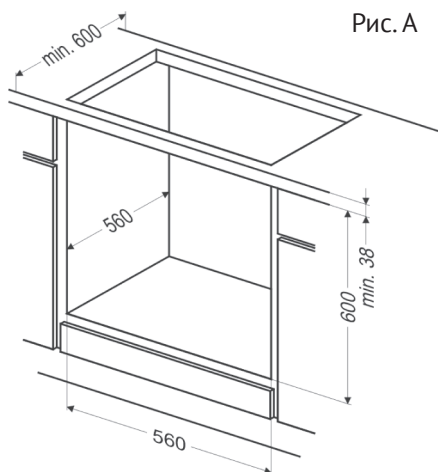


Рис. А

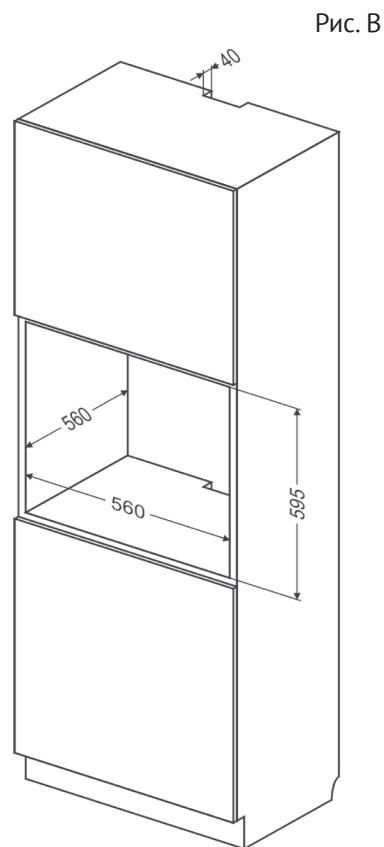


Рис. В

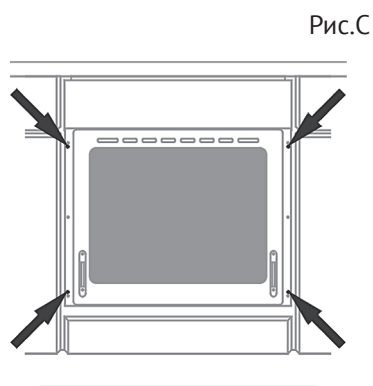


Рис. С

Внимание!

Монтаж производить при отключенном электропитании.

Подключение духовки к электрической сети

⇒ При производстве духовка рассчитана на питание переменным однофазным током (230В~50 Гц) и оснащена кабелем подключения 3 x 1,5 мм² длиной около 1,5 м с закрытой вилкой.

⇒ Гнездо подключения электросети должно быть закрытым и не должно располагаться над плитой. После установки духовки необходимо, чтобы розетка была доступной для пользователя.

⇒ Перед подключением духовки к розетке нужно проверить:

- ⇒ - выдержат ли предохранители и электропроводка нагрузку духовки,
- ⇒ - оборудована ли электросистема действенной системой заземления, соответствующей требованиям действующих норм и распоряжений,
- ⇒ - доступна ли розетка.

Внимание!

В случае повреждения неотключаемого питательного провода, во избежание опасности он должен быть заменен у производителя или в специализированной ремонтной мастерской квалифицированным специалистом.



ЭКСПЛУАТАЦИЯ

Перед первым включением духовки

- ⇒ удалить части упаковки,

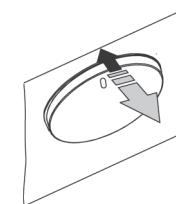
- ⇒ аккуратно (медленно) удалить этикетки с дверок духовки,
- ⇒ очистить камеру духовки от заводских средств консервации,
- ⇒ вынуть содержимое духовки и промыть в теплой воде с добавлением жидкости для мытья посуды,
- ⇒ включить вентиляцию в помещении или открыть окно,
- ⇒ прогреть духовку (250°C, в течение 30 минут), удалить загрязнения и тщательно помыть,

Ручки выключателей «спрятаны» в панели управления. Для того, чтобы выбрать желаемую функцию следует:

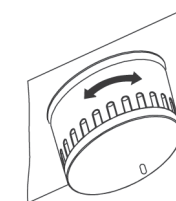
1. Осторожно нажать ручку и отпустить,
2. Установить на выбранной функции.

Обозначения ручки выключателя на ее боковой стороне соответствуют очередным функциям духовки.

1.



2.



Электрические духовые шкафы

Внимание!

В плитах, оборудованных электронным таймером, после подключения к сети дисплей будет показывать „0.00“.

Нужно установить текущее время таймера (см. инструкцию эксплуатации таймера).

Если текущее время не установлено, духовка работать не будет.

Внимание!

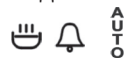
Электронный программатор Ts оснащен сенсорами, обслуживаемыми прикосновением пальцем к обозначенной поверхности.

Каждое изменение установки сенсора подтверждается звуковым сигналом. Поверхность сенсоров следует содержать в чистоте.

Камеру духовки нужно мыть исключительно теплой водой с добавлением небольшого количества жидкости для мытья посуды.

Таймер

A-дисплей

 обозначения рабочих функций

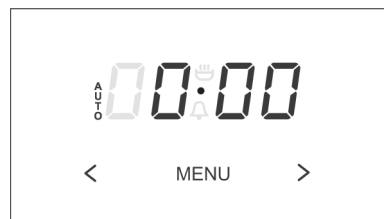
MENU - сенсор выбора функций работы программатора

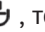
< - сенсор „-“

> - сенсор „+“


Установка текущего времени


После подключения к сети или повторного включения после пропадания напряжения в сети, дисплей показывает 0.00, и надпись AUTO мерцает,



➔ нажать и удерживать сенсор MENU (или одновременно сенсоры < / >) до момента, пока на дисплее не загорится символ , точка под символом будет мигать,

➔ в течение 7 сек. настроить актуальное время, используя сенсоры < / >.

Примерно через 7 сек. с момента завершения настройки актуального времени новые данные сохраняются, а точка под символом  перестает мигать.

Откорректировать время можно позже, нажимая одновременно сенсоры < / >, когда точка под символом  начнет мигать, можно откорректировать актуальное время.


Внимание!

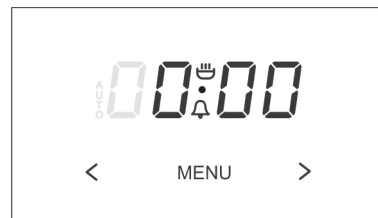
Без установки текущего времени невозможна работа духовки.

Минутный таймер


Минутный таймер можно активировать в любой момент, несмотря на активное состояние других функций


программатора. Время работы выставляется в пределах от 1 минуты до 23 часов 59 минут. Для того, чтобы установить минутный таймер, нужно:

➔ нажать на сенсор MENU, дисплей показывает 



➔ установить нужное время работы минутного таймера при помощи сенсор < / >.

Установленное время минутника показывается на дисплее, а функция  высвечивается на дисплее.

По истечении установленного времени, включается звуковой сигнал. Функция  начинает мигать.

➔ Для выключения сигнала нажать на сенсор < / > или MENU. Значок функции погаснет, а дисплей будет показывать текущее время.

Внимание! Если звуковой сигнал не выключится ручным способом, он включится автоматически приблизительно через 7 минут.

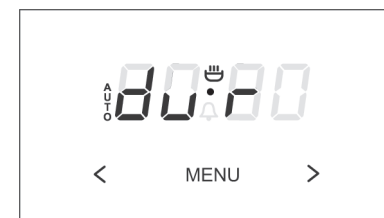
Полуавтоматический режим

Для того, чтобы духовка выключилась в определенное время:

➔ установите ручку функции духовки и учку терморегулирования в положение, при которых должна работать духовка

Электрические духовые шкафы

➔ нажмите и удерживайте сенсор MENU, пока на дисплее не высветится:



➔ установите требуемое время работы сенсорами < / > в пределах с 1 минуты до 10 часов. Установленное время будет запомнено приблизительно через 7 сек, дисплей снова укажет текущее время при высвеченной функции AUTO.

По истечении установленного времени духовка выключится автоматически. Включится звуковой сигнал, а функция AUTO начнет мигать.

➔ установите ручки функции духовки и терморегулирования в положение «выключено»,

➔ нажать на сенсор < / > или MENU для выключения сигнала; функция AUTO погаснет, а дисплей будет показывать текущее время.

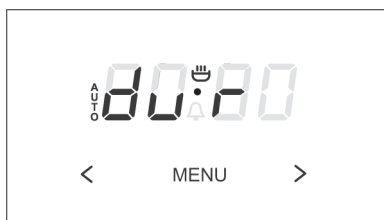
Внимание! В духовках, оснащенных одной ручкой управления, ручка функций духовки присоединена к терморегулятору.

Автоматический режим

Если духовку необходимо включить на определенное рабочее время и в установленное время выключить, нужно установить рабочее время и время окончания работы:

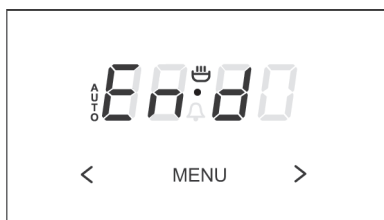
Электрические духовые шкафы

➔ нажмите и удерживайте сенсор MENU, пока на дисплей не появится:



➔ установите требуемое время работы сенсорами </>, в пределах с 1 минуты до 10 часов,

➔ нажмите и удерживайте кнопку MENU, пока на дисплей не появится:



➔ установите время выключения (окончания работы) сенсорами </>, которое не превышает 23 часов 59 минут,

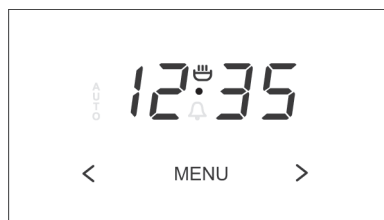
➔ установите ручку функции духовки и ручку терморегулирования в требуемые положения, при которых должна работать духовка.

Функция AUTO высвечивается, работа духовки начнется, учитывая разницу между установленным временем окончания работы и установленным временем работы духовки (например, установленное время работы духовки равняется 1 час, а установленное время окончания работы 14.00. Духовка включится автоматически в 13.00).

По достижении времени окончания работы, духовка выключится автоматически, включится звуковой сигнал, а функция AUTO на дисплее начнет мигать.

➔ установите ручки функций духовки и терморегулирования в положение «выключено»

➔ нажать на сенсор </> или MENU для выключения сигнала; функция AUTO погаснет, а дисплей будет показывать текущее время.



Отмена настроек

В любой момент можно отменить настройки, минутный таймер или функции автоматической работы.

Отмена настроек автоматической работы:

➔ одновременно нажать сенсор </>,

Отмена настроек минутный таймер:

➔ кнопкой MENU выбрать функции минутный таймер,

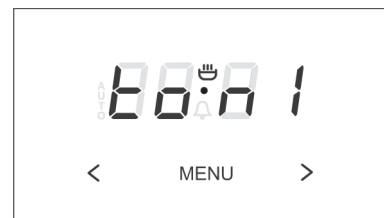
➔ повторно нажать сенсор </>,

Изменение тона звукового сигнала

Тон звукового сигнала можно изменить следующим образом:

➔ одновременно нажать сенсор </>,

➔ кнопкой MENU выбрать функцию «тон», значения на дисплее будут мигать:



➔ сенсор < выбрать соответствующий тон в диапазоне от 1 до 3.

Функции духовки и ее обслуживание.

Духовка с принудительной циркуляцией воздуха (нижний нагреватель + верхний нагреватель + вентилятор)

Духовка может нагреваться верхним и нижним нагревателями, грилем. Управление

работой осуществляется при помощи ручки выбора режима работы духовки – установка заключается в повороте ручки на выбранную функцию, а также ручки регулирования температуры – установка заключается в повороте ручки на выбранную величину температуры

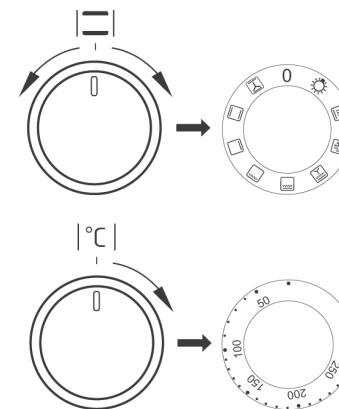
Ручки выключателей «спрятаны» в панели управления. Для того, чтобы выбрать желаемую функцию следует:

- Осторожно нажать ручку и отпустить,

Электрические духовые шкафы

- Установить на выбранной функции.

Обозначения ручки выключателя на ее боковой стороне соответствуют очередным функциям духовки.



Выключение осуществляется установкой обеих ручек в положение „●”/„0”.

Внимание!

Включение нагревания (нагревателя и т.п.) после включения какой-либо функции духовки произойдет только после выбора температуры.

0

нулевая установка



независимое освещение духовки

С помощью установки поворотной ручки в данной позиции загорается свет в духовом шкафу.

Электрические духовые шкафы

**Быстрый разогрев**

Включен верхний нагреватель, функция запекания и вентилятор. Применяется для предварительного нагревания духовки.

**Размораживание**

Включен только вентилятор, без использования каких-либо нагревателей.

**Турбо гриль и конвекция**

В этом положении ручка духовки выполняет функцию усиленного нагрева с конвекцией. На практике это позволяет ускорить процесс обжаривания и улучшить вкусовые качества готовящегося блюда. Поджаривание необходимо производить при закрытой дверце духовки.

**функция «Усиленный «ГРИЛЬ» («Суппер-Гриль»)**

Включение функции «Усиленный «ГРИЛЬ» позволяет на запекание при одновременно включенном верхнем нагревателе. Данная функция позволит применять более высокую температуру в верхней рабочей части духовки, в результате чего блюда больше зарумяниваются, данная

функция позволяет также на запекание больших порций.

**включена функция «ГРИЛЬ»**

Запекание «ГРИЛЬ» до румяности блюда, применяется для запекания маленьких порций мяса: стейков, шницелей, рыбы, тостов, колбасок, запеканок (запекаемое блюдо не может быть толще 2-3 см, в процессе запекания блюдо надо перевернуть на другую сторону).

**включен нижний нагреватель**


В данном положении поворотной ручки духовка нагревается исключительно с помощью нижнего нагревателя. Запекание теста снизу (например, «влажная» выпечка и выпечка с фруктовой начинкой)

**включен верхний и нижний нагреватель**

Установка поворотной ручки в данной позиции позволяет нагревать духовку конвенциональным способом. Прекрасно подходит для печения блюд из теста, рыбы, мяса, хлеба, пиццы (обязательным является предварительное разогревание духовки, а так же применение темных про-

тивней), процесс печения на одном уровне.

**выключен вентилятор, а также верхний и нижний нагреватель.**

В данной рабочей позиции поворотной ручки духовка работает в режиме «ТЕСТО». Конвенциональная духовка с вентилятором (функция  рекомендуется во время процесса печения).

Контрольная лампа

Погасшая красная лампочка информирует о том, что в духовке установлена нужная температура. Если кулинарные рекомендации советуют помещать блюдо в разогретую духовку, это нужно делать не ранее первого отключения красной контрольной лампочки. В процессе приготовления красная лампочка будет включаться и выключаться (поддержание температуры внутри духовки).

Использование печки

Обжаривание происходит в результате воздействия на пищу инфракрасных лучей, создаваемых разогретым грилем.

Для включения печки нужно:

➤ Установить ручку духовки в положение, обозначенное символом «гриль»

➤ Разогреть духовку в течение 5 минут (при закрытой дверце духовки).

Электрические духовые шкафы

➤ Поставить в духовку поднос с продуктами питания на соответствующий рабочий уровень, а в случае обжаривания на вертеле - расположить непосредственно под ним (ниже вертела) поддон для стекающего жира,

➤ Обжаривание следует осуществлять при закрытой дверце духовки.

Для функции «гриль» и «усиленный гриль» температуру нужно установить на 250°C, а для функции «конвекция и гриль» максимумна 190°C.

Внимание!

Когда используется духовка, доступные части могут нагреться. Рекомендуется не подпускать к духовке детей.

**ПРИГОТОВЛЕНИЕ ПИЩИ В ДУХОВКЕ - ПРАКТИЧЕСКИЕ СОВЕТЫ****Выпечка**

Рекомендуется выпекать пироги на поддонах, являющихся заводской комплектацией плиты,

➤ Выпечку можно производить в формах и на поддонах промышленного производства, которые ставятся на боковые направляющие. Для приготовления продуктов питания рекомендуется использовать поддоны черного цвета, поскольку они лучше проводят тепло и сокращают время приготовления,

➤ Не рекомендуется применять формы и поддоны со светлой и бле-

Электрические духовые шкафы

стоящей поверхностью при обычном нагревании (верхний и нижний нагреватели), применение такой посуды может привести к тому, что тесто не пропечется снизу,

➔ При использовании кольцевого нагревателя предварительный прогрев духовки не обязателен. Для прочих режимов, перед приготовлением продуктов духовку нужно разогреть,

➔ Перед тем, как вынуть пироги из духовки, нужно проверить их готовность при помощи палочки (которая должна остаться сухой и чистой),

➔ Рекомендуется оставить выпечку в духовке на 5 минут после ее выключения,

➔ Температура выпечки, приготовленной с использованием функции циркуляции температуры обычно на 20 -30 градусов ниже, чем при обычной выпечке (с применением нижнего и верхнего нагревателя),

➔ Параметры выпечки, приведенные в таблицах справочные, и могут меняться в соответствии с вашим опытом и вкусами,

➔ Если сведения в кулинарных книгах значительно отличаются от наших рекомендаций, просим руководствоваться настоящей инструкцией.

Поджаривание мяса

➔ В духовке готовится мясо порциями более 1 кг. Порции, вес кото-

рых меньше, рекомендуется готовить на газовых горелках плиты,

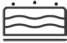

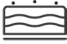






















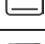


➔ Для приготовления рекомендуется применять жаропрочную посуду, с ручками, не поддающимися воздействию высокой температуры,

➔ При приготовлении пищи на решетке или вертеле на самом низком уровне нужно разместить поддон с небольшим количеством воды,

➔ Минимум один раз, на этапе полуготовности, нужно перевернуть мясо на другую сторону, в процессе выпечки время от времени поливать мясо выделяющимся соком или горячей соленой водой, поливать мясо холодной водой не рекомендуется.

Электрические духовые шкафы

Духовка с принудительной циркуляцией воздуха (нижний нагреватель + верхний нагреватель + вентилятор)

Вид выпечки продукт	Функции духовки	Температура °C	Уровень (1, 2, 3, 4)	Время [мин.]
		160-200	2-3	30-50
		150	3	25-35
		160-180	2	20 - 40*
		150	3	65-70
		220 - 240	3	10-15
		210-220	2	45-60
		190	2-3	60-70
		230 - 250	4	14-18
		225 - 250	2	120-150
		160-230	2	90-120
		190	2-3	50-60
		160-180	2	45-60
		190-210	2	40-50
		170-190	3	40-50

Внимание!

Параметры, приведенные в таблицах являются справочными и могут изменяться в зависимости от Ваших кулинарных пристрастий и опыта.

⚠ ОБСЛУЖИВАНИЕ И УХОД

Аккуратность пользователя и поддержание духовки в чистоте и ее правильное содержание в значительной мере продлевают срок ее безаварийной работы. Перед чисткой духовку нужно выключить, обратив особое внимание на то, чтобы все ручки находились в положении „●” / „0”. Чистку можно производить только после того, как духовка остынет.


➔ Духовку следует чистить после каждого использования. При чистке включается освещение, что позволяет улучшить видимость внутри рабочего пространства.

➔ Камеру духовки надлежит мыть только теплой водой с добавлением небольшого количества жидкости для мытья посуды.

➔ **Паровая чистка «Steam Clean»**

➔ в миску, поставленную на первый снизу уровень духовки налить 0,25 л воды (1 стакан),

➔ закрыть дверцу духовки,

➔ ручку регулятора температуры установить в положение 50°C, ручку выбора режима работы в положение «нижний нагреватель» ,

➔ нагревать камеру духовки около 30 минут,

➔ открыть дверцу духовки, внутренний объем камеры протереть тряпкой или губкой, затем промыть теплой водой с добавлением жидкости для мытья посуды.

Внимание. Остаточная влага после паровой очистки может иметь вид капель или остатков воды под плитой.

➔ После мытья камеры духовки ее следует вытереть насухо.

Внимание!

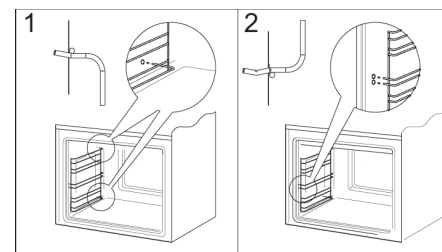
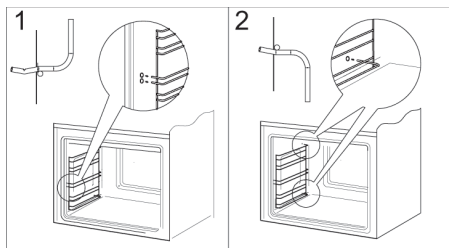
Для чистки и поддержания в рабочем состоянии стеклянных поверхностей не применять чистящие средства, содержащие абразивы

Важно!

Для очистки и технического обслуживания запрещено использование каких-либо абразивных средств, острых чистящих средств или предметов, оказывающих абразивное воздействие.

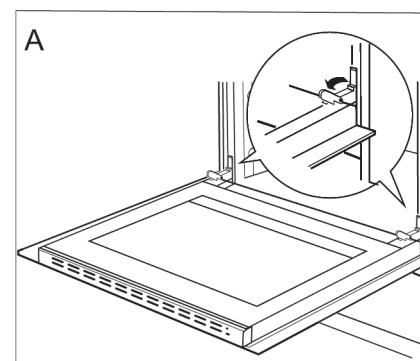
Для очистки передней стенки корпуса использовать только теплую воду с добавлением небольшого количества жидкости для мытья посуды или стекла. Запрещено применять чистящее молочко.

Духовки, обозначенные буквой D, оборудованы в легко вынимающиеся направляющие проводники (проволочные лесенки) противеней (и других вложений) духового шкафа. Для того, чтобы их вынуть для мытья, следует потянуть за элемент – зацепку, который находится впереди, затем отвести (отклонить) в сторону и вынуть с заднего элемента – зацепки.



Снятие дверцы

Для более удобного доступа к камере духовки и ее чистки можно снять дверцу. Для этого нужно ее открыть, поднять предохранитель, находящийся в петле (рис. А). Дверцу слегка прикрыть, приподнять и выдвинуть вперед. Для установки дверцы в плиту повторить действия в обратной последовательности. При установке следует обратить внимание на правильное совмещение частей петли. После установки дверцы духовки нужно обязательно опустить предохранитель. В противном случае, при попытке закрытия дверцы могут быть повреждены петли

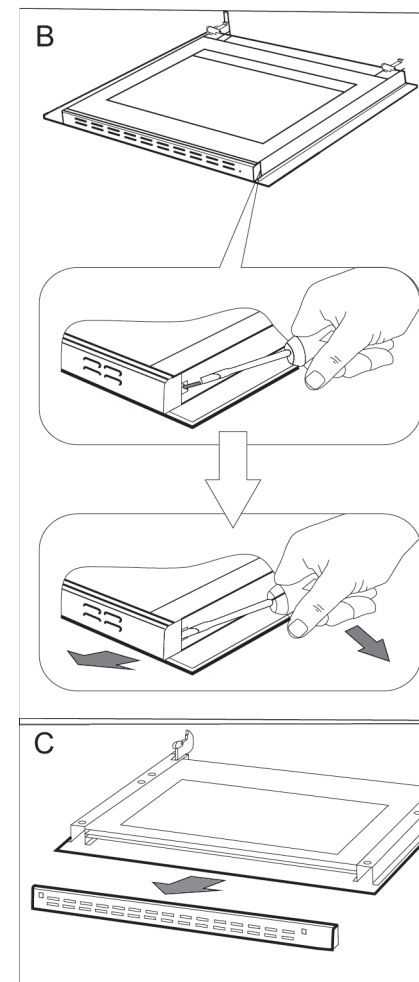


Отодвинуть предохранители петель

Снятие внутреннего стекла

1. С помощью плоской отвёртки зацепить и выдвинуть верхнюю планку дверей, осторожно приподнять её по бокам (рис. В)

2. Вынуть (вытянуть) планку верхних дверей, как показано на рисунке (рис. В и С)



Электрические духовые шкафы

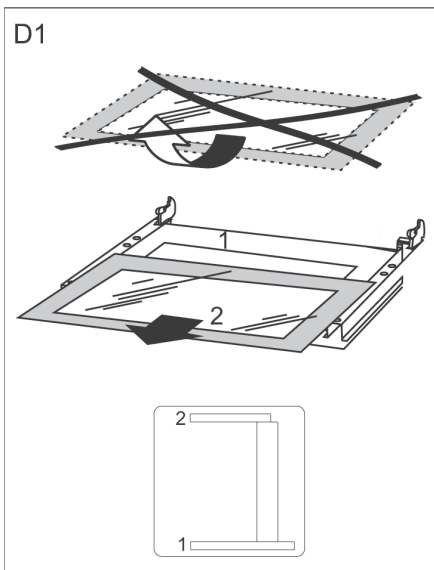
3. Внутреннее стекло вынуть из крепления (в нижней части дверцы).

Рис. D,D1.

4. Помыть стекло теплой водой с небольшим количеством чистящего средства.

Чтобы установить стекло, следует поступать в обратной очередности. Гладкая часть стекла должна находиться сверху.

Внимание! Не следует вдавливать верхнюю планку одновременно с обеих сторон дверей. Для того, чтобы правильно установить верхнюю планку дверей, следует сначала приложить левый конец планки к дверям, а правый её конец размазать вдавливающим движением до момента звука «защёлкивания». Затем, с левой стороны так же вдавить планку до момента звука «защёлкивания».



Снятие внутреннего стекла.
2 стеклянные.

**Замена лампочки
освещения духовки**

Для исключения возможности поражения электрическим током перед заменой лампочки убедитесь, что устройство выключено.

☞ Все ручки управления установить в положение „●“ / „0“, и выключить питание,

☞ Вывернуть и промыть колпак лампочки, вытереть его насухо.

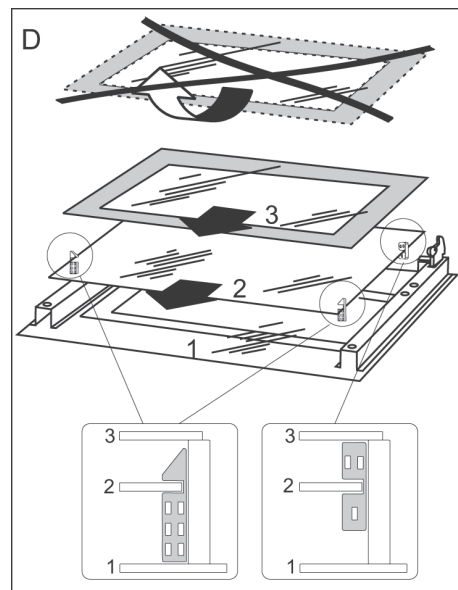
☞ Вывернуть осветительную лампочку из гнезда, при необходимости заменить ее на новую

- лампочка высокотемпературная (300°C) с параметрами:

- напряжение 230

- мощность 25 W

- резьба E14.



Снятие внутреннего стекла.
3 стеклянные.

Электрические духовые шкафы

☞ проводить периодические проверки работы элементов управления и рабочих групп плиты. После истечения гарантийного срока, минимум раз в два года, следует производить осмотр технического состояния плиты в сервисном центре,

☞ устранять выявленные эксплуатационные дефекты,

☞ при необходимости провести замену вышедших из строя деталей и узлов

Внимание!

Все ремонтные и регулиционные работы должны производиться соответствующим сервисным центром или мастером, имеющим необходимую квалификацию и допуск.



Лампочка духовки

☞ Ввернуть лампочку. Обратите внимание на правильную установку лампочки в керамическое гнездо.

☞ Ввернуть колпак лампочки.

Периодический осмотр

Помимо действий, необходимых для поддержания духовки в чистоте, следует:



ПОВЕДЕНИЕ В АВАРИЙНЫХ СИТУАЦИЯХ

В каждой аварийной ситуации следует:

☞ Выключить рабочие узлы плиты

☞ Отсоединить электропитание

☞ Вызвать мастера

☞ Некоторые мелкие дефекты пользователь может исправить сам, следуя указаниям в таблице. Прежде, чем обращаться в сервисный центр, просмотрите таблицу.

☞

ПРОБЛЕМА	ПРИЧИНА	ДЕЙСТВИЯ
1. Электрика не работает	Отсутствие питания	Проверить предохранитель, перегоревший заменить
2. Дисплей таймера показывает „0.00“	Прибор был отключен от сети или временно пропало напряжение	Установить текущее время (см. Инструкция по эксплуатации таймера)
3. Не работает освещение духовки	Лампа вывернута или перегорела	Подкрутить или заменить лампу (см. Раздел Чистка и содержание плиты)



ТЕХНИЧЕСКИЕ ДАННЫЕ

Номинальное напряжение: 230V~50 Hz
 Номинальная мощность: max. 2,9 kW
 Размеры плиты (ШИРИНА / ГЛУБИНА / ВЫСОТА) 59,5 / 59,5 / 57,5 cm

Соответствует нормативам EN 60335-1, EN 60335-2-6.

ПАСПОРТ ПРОДУКТА

Информация в паспорте продукта указана в соответствии с делегированным распоряжением Комиссии (ЕС) № 65/2014, дополняющим директиву Европейского Парламента и Совета 2010/30/ЕС относительно энергетической маркировки для бытовых духовых шкафов и кухонных вытяжек

A	Название поставщика	KUPPERSBERG
B1	Идентификатор модели	HO 658 T 10162.3ETSDHbX 56509
B2		HO 658 W 10162.3ETSDHbW 56510
C	Индекс энергетической эффективности (EEI cavity)	106,1
D	Класс энергетической эффективности	A
E	Потребление энергии для цикла (EC electric cavity) стандартный режим [kWh] режим с включенным вентилятором [kWh]	0,99 0,87
E1		
E2		
F	Количество камер	1
G	Источник тепла (электроэнергия или газ)	V / O
H	Объем камеры [л]	65

Для определения соответствия требованиям экодизайна применены методы измерения и расчета из следующих стандартов: EN 60350-1

ИНФОРМАЦИЯ О ПРОДУКТЕ

Информация о продукте указана в соответствии с распоряжением Комиссии (ЕС) № 66/2014, дополняющим директивы Европейского Парламента и Совета 2009/125/ЕС относительно требований экодизайна для бытовых духовых шкафов, плит и кухонных вытяжек

Духовой шкаф

I1	Идентификатор модели	HO 658 T 10162.3ETSDHbX 56509
I2		HO 658 W 10162.3ETSDHbW 56510
J	Тип духового шкафа (электроэнергия или газ)	V / O
K	Вес оборудования [кг]	32,4
L	Количество камер	1
M	Источник энергии для каждой камеры (электроэнергия или газ)	V / O
N	Объем для каждой камеры V [л]	65
O	Потребление энергии, необходимой для разогрева внутри камеры электрического духового шкафа при работе цикла в стандартном режиме для каждой камеры (конечная электроэнергия) EC electric cavity [кВтч/цикл]	0,99
P	Потребление энергии, необходимой для разогрева внутри камеры электрического духового шкафа при работе цикла в режиме с включенным вентилятором для каждой камеры (конечная электроэнергия) EC electric cavity [кВтч/цикл]	0,87
Q	Индекс энергетической эффективности для каждой камеры EEI cavity	106,1

ООО «КУППЕРСБЕРГ-СЕРВИС»

УСТАНОВКА, ГАРАНТИЙНОЕ И ПОСТГАРАНТИЙНОЕ ОБСЛУЖИВАНИЕ
ПО МОСКВЕ И МОСКОВСКОЙ ОБЛАСТИ

☎ +7 (495) 236-90-67

Телефон горячей линии Kuppersberg:

☎ 8 (800) 250-17-18

(Звонки для всех регионов бесплатные).

🗨 Часы работы линии: с 9:00 до 18:00 Пн-Пт

➔ Полный список авторизованных сервисных центров Kuppersberg
можно найти на официальном сайте компании

🌐 <http://kuppersberg.ru>

➔ Данный паспорт технического изделия заменяет гарантийный талон.

➔ Гарантийный срок исчисляется со дня заключения договора купли-продажи.

➔ При отсутствии документов подтверждающих покупку, эти сроки
исчисляются со дня изготовления товара (Ст. 19 ЗоЗПП, пункт 2).

УСЛОВИЯ ГАРАНТИИ

Настоящие условия гарантии действительны на территории России, если иные условия не установлены действующим законодательством:

1. Изготовитель устанавливает гарантийный срок 2 (два) года со дня передачи Потребителю на следующие виды техники: воздухоочистители, встраиваемую технику. Срок службы бытовой техники «Kuppersberg» при соблюдении правил эксплуатации и применения ее в бытовых целях составляет 10 (десять) лет.

2. Гарантия распространяется на изделия, использующиеся только для личных, семейных, домашних нужд, а также нужд, не связанных с осуществлением предпринимательской деятельности.

3. Проследите, чтобы гарантийный талон был правильно заполнен, не имел исправлений и в нем были указаны: дата продажи, штамп торговой организации и подпись продавца, модель и серийный номер изделия, дата установки, название и штамп фирмы-установщика.

4. Сохраняйте гарантийный документ, чек на проданное изделие и квитанцию на услуги по его установке (доставке), доработке водяных и электрических внутриквартирных коммуникаций, а также любые другие документы, относящиеся к гарантийному или техническому обслуживанию изделия.

5. Прежде чем вызвать специалиста сервисного центра, внимательно прочитайте инструкцию по эксплуатации изделия. Если изделие исправно, то за сервисным центром остается право требовать от Потребителя оплаты ложного вызова.

6. Любые претензии по качеству изделия рассматриваются только после предварительной проверки качества изделия представителем сервисного центра.

7. Изготовитель не несет какой-либо ответственности за любой возможный ущерб, нанесенный потребителю, в случае несоблюдения последним требований Изготовителя, указанных в данном гарантийном документе и инструкции по эксплуатации.

8. Гарантийный срок на элементы освещения (галогеновые, светодиодные и лампы накаливания) составляет 15 дней со дня продажи прибора.

Гарантия не распространяется на изделия, недостатки в которых возникли вследствие:

1. Несоблюдения требований Изготовителя, указанных в гарантийном документе;
2. Несоблюдения Потребителем правил установки, подключения, эксплуатации, хранения или транспортировки изделия, указанных в инструкции по эксплуатации;
3. Ремонта неуполномоченными на то лицами, если таковой ремонт повлек за собой отказ изделия;
4. Разборки изделия, изменения конструкции и других вмешательств, не предусмотренных инструкцией по эксплуатации;
5. Неисправностей и повреждений, вызванных экстренными условиями и действием непреодолимой силы (пожар, стихийные бедствия, и т.д.);
6. Повреждений техники или нарушений ее нормальной работы, вызванных животными или насекомыми;
7. Повреждений техники или нарушений ее нормальной работы, вызванных сверхнормативными отклонениями параметров сети электро-, газо-, или водоснабжения от номинальных значений;
8. Использования изделия для предпринимательской деятельности или в непредусмотренных целях;
9. Образования на нагревательных элементах избыточного слоя накипи (при повышенной жесткости воды необходима обработка соответствующими составами);
10. Попадания во внутренние рабочие объемы изделия посторонних предметов, мелких деталей одежды или остатков пищи;
11. Механических повреждений изделия Потребителем (царапины, трещины, сколы и т.п.);
12. Потери товарного вида изделия вследствие воздействия на изделие химических веществ;
13. Термических и других подобных повреждений, которые возникли в процессе эксплуатации.

Изготовитель не принимает претензии в следующих случаях:

1. Несоблюдение правил установки;
2. Отсутствие оригинального гарантийного талона;
3. Отсутствие в гарантийном талоне следующих сведений: даты продажи, штампа торгующей организации, подписи продавца, модели и серийного номера изделия;
4. Внесение любых исправлений (изменений) в текст гарантийного документа.

Установка и подключение крупной бытовой техники:

1. Производитель рекомендует Вам доверить установку и подключение изделия «Kuppersberg» специалистам сервисного центра. Вы можете также обращаться в любую другую организацию, имеющую сертификат на оказание подобных услуг.

2. Оплата работ по установке и подключению изделия происходит по прейскуранту сервисного центра. Условия оплаты работ по установке и подключению регулируются действующим законодательством. Изготовитель не несет какой-либо ответственности за любой ущерб, нанесенный имуществу граждан вследствие установки и подключения, не соответствующих требованиям, указанным в инструкции по эксплуатации, и произведенных неуполномоченными на то лицами.

3. В случае нарушения требований Изготовителя по установке и подключению, ответственность за причиненный ущерб несет лицо, проводившее эту работу.

4. Газовая бытовая техника может быть установлена только специалистом, имеющим допуск на установку газового оборудования. Гарантийное обслуживание осуществляется только при наличии отметки об установке или документа уполномоченной организации.

Изделие, имеющее трех-контактную сетевую вилку, обязательно должно быть заземлено!





⇒ **ВНИМАНИЕ!**

**ДАННЫЙ ПАСПОРТ ИЗДЕЛИЯ
ТАК ЖЕ ЯВЛЯЕТСЯ
ГАРАНТИЙНЫМ ТАЛОНОМ,
ПРОСЬБА НЕ УНИЧТОЖАТЬ
ДО КОНЦА ЭКСПЛУАТАЦИИ
ТЕХНИКИ.**

⇒ Kuppersberg

⇒ www.kuppersberg.ru

⇒ info@kuppersberg.ru