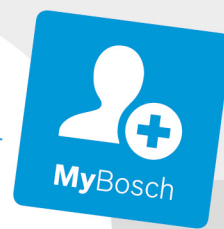




**BOSCH**



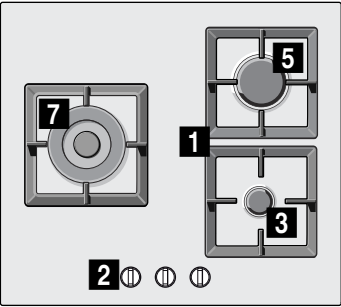
**Register** your  
new device on  
MyBosch now and  
get free benefits:  
**[bosch-home.com/  
welcome](https://bosch-home.com/welcome)**

# Gas hob

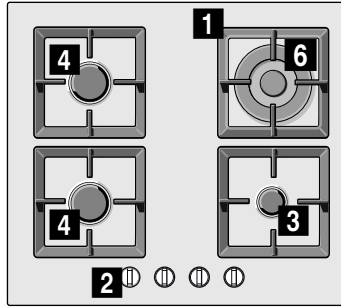
**PPC6A....., PPP6A....., PPH6A....., PPQ7A....., PPS7A....., PPS9A.....**

[en]	Instruction manual	Gas hob	4
[kk]	Пайдалану нұсқаулығы	Газ плитасының әзірлеу беті	13
[ru]	Правила пользования	Газовая варочная панель	22
[uk]	Інструкція з використання	Газова варильна поверхня	31

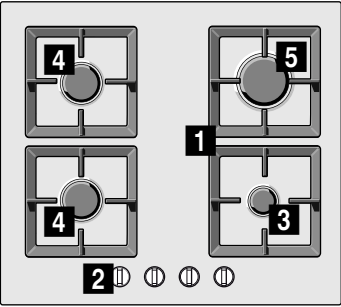
PPC6A.B1..  
PPC6A.B2..



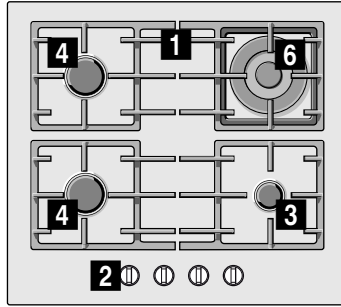
PPH6A.B1..  
PPH6A.B2..



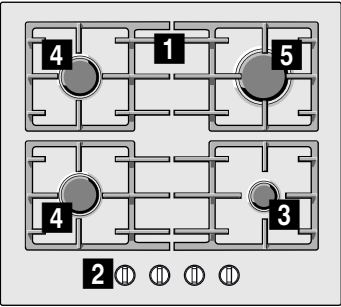
PPP6A.B1..  
PPP6A.B2..



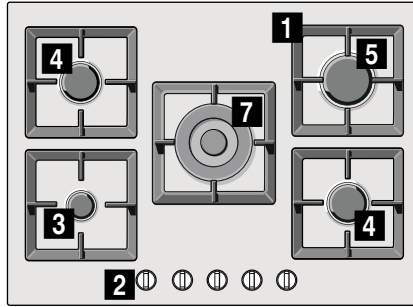
PPH6A.B8..  
PPH6A.C9..



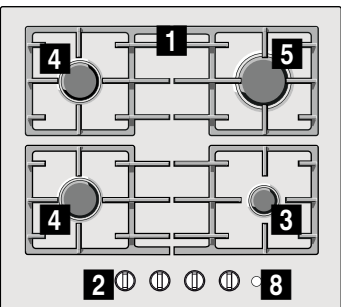
PPP6A.B8.. PPP6A.C9..  
PPP6A.B9..



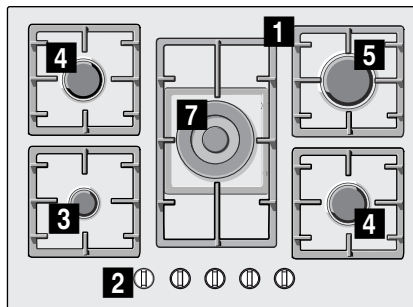
PPQ7A.B1..  
PPQ7A.B2..



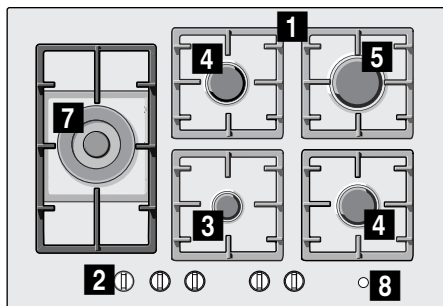
PPP6A.M9..



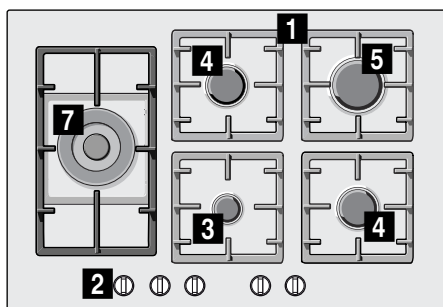
PPQ7A.B9..  
PPQ7A.C9..



PPS7A.M9..

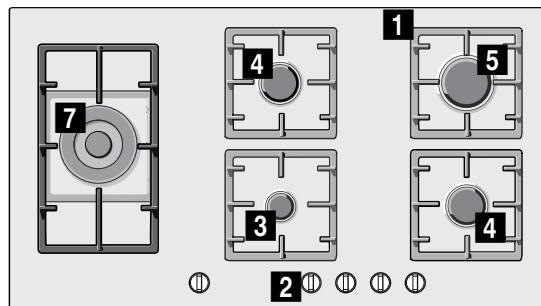


PPS7A.C9..



PPS9A.B9..

PPS9A.C9..



- 1** Pan supports
- 2** Control knobs
- 3** Economy burner with an output of up to 1 kW
- 4** Standard-output burner with an output of up to 1.75 kW

- 5** High-output burner with an output of up to 3 kW
- 6** Mini wok burner up to 3.5 kW
- 7** Wok burner with an output of up to 4 kW
- 8** Main Switch

- 1** Топ
- 2** Ретцеу тетігі
- 3** Тиімді жанарғы 1 кВт дейін
- 4** Стандартты жанарғы 1,75 кВт дейін

- 5** Қатты жанатын жанарғы 3 кВт дейін
- 6** Мини Вок жанарғысы 3,5 кВт дейін
- 7** Вок жанарғысы 4 кВт-ке дейін
- 8** Бас өшіргіш

- 1** Решетки
- 2** Ручки управления
- 3** Экономичная конфорка до 1 кВт
- 4** Стандартная конфорка до 1,75 кВт

- 5** Конфорка повышенной мощности до 3 кВт
- 6** Конфорка Mini-Wok до 3,5 кВт
- 7** Конфорка Wok до 4 кВт
- 8** Главный выключатель (Main Switch)

- 1** Решітки
- 2** Ручки управління
- 3** Економічна конфорка до 1 кВт
- 4** Звичайна конфорка до 1,75 кВт

- 5** Потужна конфорка до 3 кВт
- 6** Міні-конфорка Wok до 3,5 кВт
- 7** Конфорка Wok до 4 кВт
- 8** Головний вимикач (Main Switch)

# Table of contents

 Intended use.....	4
 Important safety information .....	5
 Getting to know your appliance .....	6
Controls and burners.....	6
Accessories.....	7
 Gas burners .....	7
Switching on manually .....	7
Automatic ignition .....	7
Safety system .....	7
Switching off a burner .....	7
Main switch/Hob lock (Main Switch) .....	8
Warnings.....	8
 Settings table and tips.....	8
Suitable pans .....	8
Precautions for use .....	8
Table of cooking times .....	9
 Cleaning and maintenance .....	10
Cleaning .....	10
Maintenance .....	10
 Trouble shooting .....	11
 Customer service.....	12
Warranty conditions .....	12
 Environmental protection .....	12
Environmentally-friendly disposal .....	12

Additional information on products, accessories, replacement parts and services can be found at [www.bosch-home.com](http://www.bosch-home.com) and in the online shop [www.bosch-eshop.com](http://www.bosch-eshop.com)

## Intended use

Read these instructions carefully. You will only be able to use your appliance safely and effectively when you have read them. These operating and installation instructions should be retained, and passed onto the buyer if the appliance is sold.

**The manufacturer is exempt from all responsibility if the requirements of this manual are not complied with.**

The images shown in these instructions are for guidance only.

Do not remove the appliance from its protective packaging until it is installed in the unit. Do not switch on the appliance if it is damaged in any way. Contact our Technical Assistance Service.

This appliance is class 3 type, according to the EN 30-1-1 regulation for gas appliances: built-in appliance.

Before installing your new hob, ensure that it is being installed according to the installation instructions.

This appliance cannot be installed on yachts or in caravans.

This appliance must only be used in well ventilated places.

This appliance is not intended for operation with an external clock timer or a remote control.

**All operations relating to installation, connection, regulation and conversion to other gas types must be performed by an authorised technician, respecting all applicable regulations, standards and the specifications of the local gas and electricity suppliers. Special attention shall be paid to ventilation regulations.**

This appliance leaves the factory set to the gas type that is indicated on the specifications plate. If this needs to be changed, please consult the assembly instructions. It is recommended you contact the Technical Assistance Service to change to another gas type.

This appliance has been designed for home use only, not for commercial or professional use. This appliance is only intended for cooking purposes, not as a heating system. The warranty will only be valid if the appliance is used for the purpose for which it was designed.

This appliance is intended for use up to a maximum height of 2000 metres above sea level.

Do not use lids or hob guards for children which are not recommended by the hob manufacturer. They may cause accidents such as those due to the overheating, ignition or detachment of fragments of materials.

This appliance may be used by children over the age of 8 years old and by persons with reduced physical, sensory or mental capabilities or by persons with a lack of experience or knowledge if they are supervised or are instructed by a person responsible for their safety how to use the appliance safely and have understood the associated hazards.

Children must not play with, on, or around the appliance. Children must not clean the appliance or carry out general maintenance unless they are at least 15 years old and are being supervised.

Keep children below the age of 8 years old at a safe distance from the appliance and power cable.

## Important safety information

### **Warning – Risk of deflagration!**

Accumulation of unburned gas in an enclosed area carries a risk of deflagration. Do not subject the appliance to draughts. These might blow out the burners. Carefully read the instructions and warnings on the operation of gas burners.

### **Warning – Risk of poisoning!**

The kitchen will become hot and humid and combustion products produced when this gas appliance is used. Make sure the kitchen is well ventilated, particularly when the hob is in operation: either keep the natural ventilation apertures open, or install a ventilation system (extractor hood). Intense prolonged use of the appliance may require additional or more effective ventilation: open a window or increase the power of the ventilation system.

### **Warning – Risk of burns!**

- The burners and their immediate vicinity get very hot. Never touch the hot surfaces. Keep children under 8 years old well away from this appliance.
- If the liquefied gas bottle is not upright, liquefied propane/butane can enter the appliance. Intense darting flames may therefore escape from the burners. Components may become damaged and start to leak over time so that gas escapes uncontrollably. Both can cause burns. Always use liquefied gas bottles in an upright position.

### **Warning – Risk of fire!**

- The cooking process must be supervised. A short cooking process must be supervised without interruption.
- The burners get very hot. Do not rest inflammable objects on the hob. Do not store objects on the hob.
- Do not store or use corrosive chemicals, products which produce fumes, inflammable materials or non-food products below or near this domestic appliance.
- Fat or oil which is overheated can catch fire easily. Never leave fat or oil to heat up unattended. If oil or fats do catch fire, never use water to put the fire out. Put the fire out by covering the pan with a lid and switch off the hotplate.

**⚠ Warning – Risk of injury!**

- Cracks or fractures in the glass plate are dangerous. Shut immediately off all burners and any electrical heating element. Unplug the appliance from the mains or switch off the circuit breaker in the fuse box. Shut off the gas supply. Do not touch the appliance surface. Never switch on a faulty appliance. Contact the after-sales service.
- Sudden changes in temperature may cause breakage of the glass. While using your hob, prevent any draughts and do not spill any cold liquids on it.
- Pans which are damaged, are not the right size, hang over the edge of the hob or are not positioned correctly can cause serious injuries. Follow the advice and warnings provided relating to the cooking pans.
- Incorrect repairs are dangerous. Repairs may only be carried out, and damaged power and gas lines replaced, by an after-sales engineer trained by us. If the appliance is faulty, unplug the mains plug or switch off the fuse in the fuse box. Shut off the gas supply. Contact the after-sales service.
- If a control knob is too stiff to turn or it is loose, it must not be used. Contact our after-sales service immediately to have the control knob repaired or replaced.

**⚠ Warning – Risk of electric shock!**

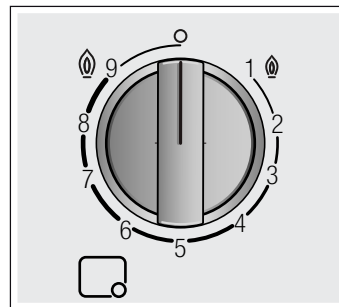
- Do not clean the appliance using steam cleaners.
- Cracks or fractures in the glass plate could cause electric shocks. Switch off the circuit breaker in the fuse box. Contact the after-sales service.

**👁 Getting to know your appliance**

You can find your appliance and the burner powers in the model overview. → Page 2

**Controls and burners**

Each control knob is marked with the burner it controls. You can use the control knobs to set the output required in each case to various positions between the maximum and the minimum settings. Never try to switch directly from position 0 to position 1 or from position 1 to position 0.

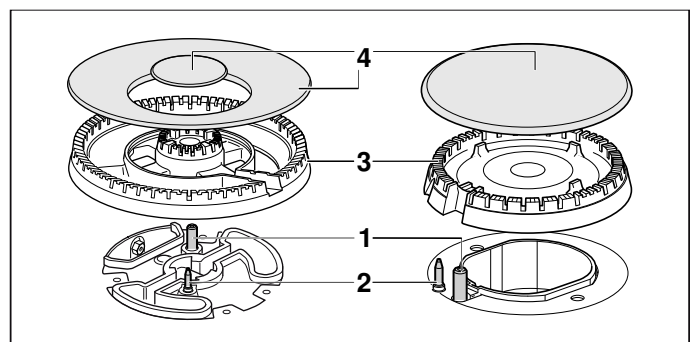


**Indicators**

	Burner controlled by control knob
0	Switched-off burner
	Highest power setting and electric ignition
	Lowest power setting

It is essential to ensure that all the burner parts and pan supports are correctly installed for the appliance to work correctly. Do not swap the burner caps around.

Always remove the pan supports carefully. When moving a pan support, the pan supports next to it may also move.

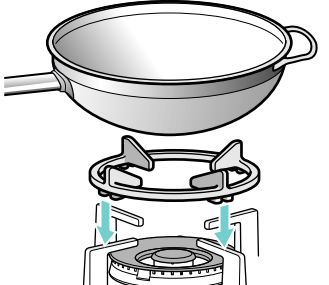
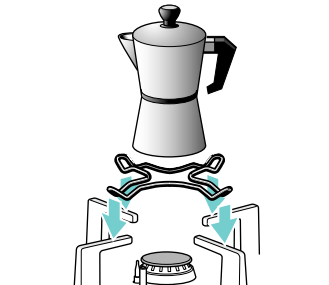
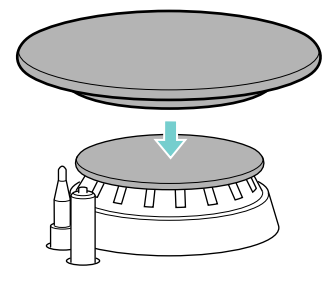


**Burner parts**

1	Ignition plug
2	Thermocouple
3	Burner cup
4	Burner cap

## Accessories

Depending on the model, the hob may include the following accessories. These can also be acquired from the Technical Assistance Service.

	<p><b>Additional wok grid</b> Only suitable for use on wok burners. Use cookware with a rounded base.</p> <p>To extend the service life of the appliance, we recommend using the additional wok grid.</p>
	<p><b>Additional espresso maker grid</b> Only suitable for use on the smallest burner. Use cookware with a diameter of less than 12 cm.</p>
	<p><b>Simmer cap</b> Only use the cap for cooking with minimal power. Place the simmer cap on the cover of the economy burner. Always place cookware on the pan support, never directly on the simmer cap.</p>

### Code

HEZ298126	Additional wok grid: Cast iron (mini wok burner)
HEZ298127	Additional wok grid: Cast iron (4-5 kW)
HEZ298110	Additional wok grid: Enamelled steel
HEZ298114	Additional espresso maker grid
HEZ211310	Simmer cap

The manufacturer accepts no liability if these accessories are not used or are used incorrectly.

## Gas burners

### Switching on manually

1. Press the control knob for the selected burner and turn it anticlockwise to the highest power setting.
2. Hold an igniter or a naked flame (such as a lighter or a match) against the burner.

### Automatic ignition

If the hob has automatic ignition (ignition plugs):

1. Press the control knob for the selected burner and turn it anticlockwise to the highest power level. While the control knob is held down, all the burners will generate sparks. The flame ignites. Wait a few seconds.
2. Release the control knob.
3. Turn the control knob to the required position.

If the burner does not ignite, switch it off and repeat the steps described above. This time, hold the control knob down for longer (up to 10 seconds).

### Warning – Risk of deflagration!

If the flame does not ignite after 15 seconds, switch off the burner and open a window or the door to the room. Wait at least one minute before switching the burner on again.

**Note:** It is important to keep the appliance clean. If the ignition plugs are dirty, this may cause ignition problems. Clean the ignition plugs regularly with a small, non-metallic brush. Take care to prevent the ignition plugs from suffering any heavy knocks.

### Safety system

Your hob is equipped with a safety system (thermocouple) that cuts off the gas when the burners are accidentally switched off.

To ensure that this device is active:

1. Switch on the burner as usual.
2. Without releasing the control knob, press and hold it down firmly for 4 seconds after lighting the flame.

### Switching off a burner

Turn the corresponding control knob clockwise to the 0 setting.

A few seconds after the burner is switched off, a sound (thud) will be produced. This is not a fault - this means that the safety device is no longer operating.

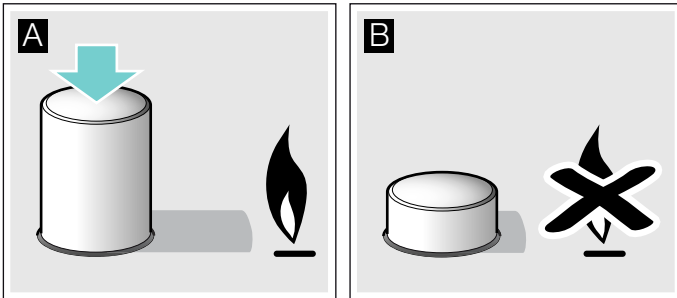
## Main switch/Hob lock (Main Switch)

The hob may have a main switch to cut off the mains gas supply and switch off all the burners at the same time. This switch is very practical if there are children in the house or, if for any reason, all the burners must be switched off quickly.

### To lock the hob:

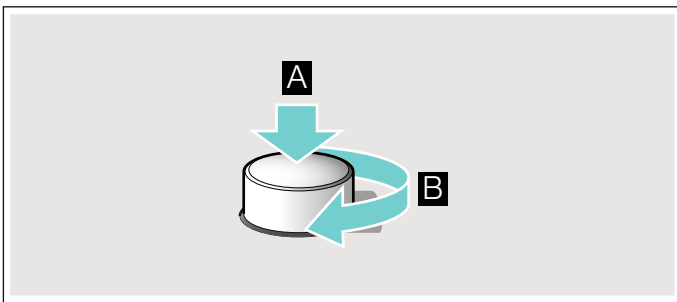
Press the main switch.

This switches off all the burners which are on. The hob is locked.



### To unlock the hob:

1. Turn all the control knobs to the "off" position.
2. Press the main switch and turn it fully clockwise.



The mains gas supply is turned on. You can now use your hob normally.

## Warnings

It is normal to hear a soft whistling noise while the burner is operating.

When first used, it is normal for the burner to give off odours. This does not pose any risk and does not indicate a malfunction. They will disappear in time.

An orange-coloured flame is normal. This is caused by the presence of dust in the atmosphere, spilt liquids, etc.

In the event of the burner flames being accidentally extinguished, turn off the burner control and do not attempt to re-ignite the burner for at least one minute.

## Settings table and tips

### Suitable pans

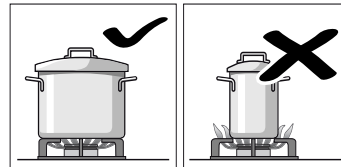
Burner	Minimum diameter of the cookware base	Maximum diameter of the cookware base
Wok burner	22 cm	30 cm
High-output burner	20 cm	26 cm
Standard-output burner	14 cm	22 cm
Economy burner	12 cm	16 cm

The cookware must not overhang the edge of the hob.

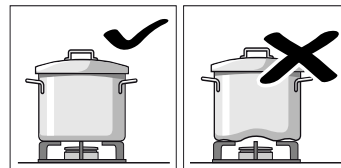
You should only use cookware with a domed base if your cooktop features a wok burner and the additional wok grid. The additional wok grid must be correctly positioned.

### Precautions for use

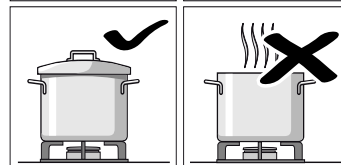
The following advice is intended to help you save energy and prevent pan damage:



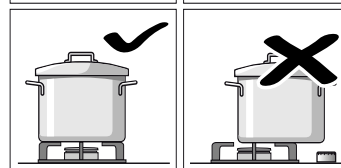
Use pans which are the right size for each burner. Do not use small pans on large burners. The flame must not touch the sides of the pan.



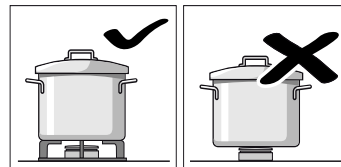
Do not use damaged pans, which do not sit evenly on the hob. Pans may tip over. Only use pans with a thick, flat base.



Do not cook without using a lid and make sure the lid is properly fitted. This wastes energy.

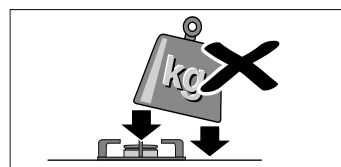


Always centre the pan over the burner, not to one side. Otherwise it could tip over. Do not place large pans on the burners near the control knobs. These may be damaged by the very high temperatures.



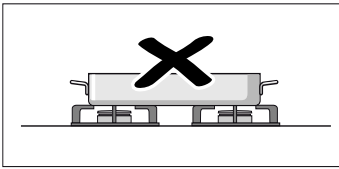
Place the pans on the pan supports, never directly on the burner.

Make sure that the pan supports and burner caps are correctly positioned before using the appliance.



Pans should be placed on the hob carefully. Do not strike the hob and do not place excessive weight on it.





Never use two burners or heat sources to heat one single pan.  
Do not use grill pans, earthenware casserole dishes, etc. for a long period of time on maximum power.

## Table of cooking times

The table below lists the optimal heat settings and cooking times for various types of food. The information given applies when cooking four portions.

The cooking times and heat settings may vary depending on the type of food, its weight and quality, on the type of gas used, and on the material from which the cookware is made. To prepare this dish, stainless steel cookware was mainly used.

Always use cookware that is the right size and place it in the centre of the burner. You can find information about the diameter of the cookware under → "Suitable pans"

### Information on the table

Each type of food can be prepared in one or two steps. Each step includes the following information:

- 🕒 Cooking position
- 🕒 Cooking time in minutes

In the table, you will find information on how to cook food on different burners. We recommend using the first burner. The model overview describes all the burners on the hob. → Page 2

Method Meal	Burner	Step 1		Step 2	
		🕒	🕒	🕒	🕒
<b>Boiling, cooking</b>					
Fish soup	5 4 7	8-9	6-13	1-4	4-9
Cream of pumpkin, borscht	5 4 7	9	8-17	2-6	17-33
Minestrone (vegetable soup)	5 4 6	9	8-12	3-6	35-50
Spaghetti	5 4 7	8-9*	8-12	6-7	10-12
Rice	5 4 7	8-9	4-9	2-6	11-15
Ravioli	5 4 7	8-9	4-14	6-8	5-8
Mountain lentils	5 4 7	6-9	8-22	4-8	25-35
Blue mussels	5 6 7	9	4-7		
Boiled sausages (12 pcs)	4 7 5	4-9	7-14		
Rice pudding**	4 3 7	7-9*	9-14	1-4*	21-31
Custard**	5 4 7	2-5*	3-13		
Sponge (in the bain marie)	5 7 6	9	35-45		

\* Without a lid

\*\*Stirring constantly

Method Meal	Burner	Step 1		Step 2	
		🕒	🕒	🕒	🕒
<b>Deep-frying in oil</b>					
Chips	7 5 6	7-9*	15-20		
Spanish tortilla	5 6 7	9*	18-30		
Breaded hake	5 6 7	6-8*	4-10		
Chicken escalope (8 chicken breast fillets)	5 7 4	9*	2-12	6*	5-8
Croquettes, frozen (16 pcs)	6 5 7	8-9	4-10		
Fish fingers, frozen (12 pcs)	6 5 7	8-9	4-10		
<b>Deep frying with a little oil, until golden brown, frying in the pan</b>					
Vegetables in tempura batter	5 6 7	7*	6-8	5-6*	5-9
Sautéed fresh vegetables**	7 6 5	9*	6-8		
Shakshuka, menemen	4 5 7	6-9	7-13	3-4	4-9
Omelette (1 portion)	4 5 6	8-9*	2-5		
Baked salmon	5 6 7	7-8*	2-4	1	3-8
Duck breast (1 portion)	4 5 7	5-7*	6-11		
Beef Stroganoff	6 5 7	8-9*	5-13		
Minced meat	5 4 6	8-9*	12-25		
Small sausages (12 pcs)	5 4 7	7-9	5-12		
Beefburgers (4 pcs., 1 cm thick, 110 g)	5 6 7	9*	1-3	7*	2-6
Crêpes (4 pcs)	6 5 7	7*	1-3	4-6*	7-19
Frozen vegetables**	5 6 7	9*	5-12		
Napoli sauce	4 7 6	6-8*	1-4	4-6*	12-19
Pizza (20 cm)	7 6 5	1	4-20		
<b>Cooking in a pressure cooker</b>					
Boiled potatoes (mashed, potato salad)	5 4 7	7-9	8-13	5-6	14-18
Hummus (puréed chickpeas)	5 6 7	7-9	10-12	4-7	37-43
Bread pudding (in the bain marie)	5 7 6	8-9	8-12	6-7	12-18
<b>Melting, defrosting, fine dishes</b>					
Béchamel sauce**	3 4 7	5-6*	1-4	5-6	2-11

\* Without a lid

\*\*Stirring constantly

Method Meal	Burner	Step 1		Step 2	
		🕒	🕒	🕒	🕒
Blue cheese sauce**	3 4 5	5-7*	3-6		
Carbonara sauce	4 5 3	5-9*	4-7	3-5*	4-8
Milk chocolate	3 4	1*	10-20		

\* Without a lid  
\*\*Stirring constantly

### Cooking tips

- Use a pressure cooker to cook creamy soups and pulses. This significantly reduces the cooking time. If you are using a pressure cooker, follow the manufacturer's instructions. Add all of the ingredients at the start.
- Always use a lid when cooking potatoes and rice. This significantly reduces the cooking time. The water must be boiling before you add pasta, rice or potatoes. Then adjust the heat setting to continue boiling.
- For pan-cooked dishes, heat the oil up first. As soon as you have started the frying, keep the pan at a constant temperature by adjusting the heating setting as required. When preparing several portions, wait until the relevant temperature has been reached again. Turn the food regularly.
- When cooking soups, cream, lentils or chickpeas, add all of the ingredients to the cookware at the same time.

## Cleaning and maintenance

### Cleaning

Once the appliance is cool, use a sponge to clean it with soap and water.

After each use, clean the surface of the respective burner parts once they have cooled down. If any residue is left (baked-on food, drops of grease etc.), however little, it will become stuck to the surface and more difficult to remove later. The holes and grooves must be clean for the flame to ignite properly.

The movement of some pans may leave metal residue on the pan supports.

Clean the burners and pan supports using soapy water and scrub with a non-wire brush.

If the pan supports are fitted with rubber rests, ensure that these are also cleaned. The rests may come loose and the pan support may scratch the hob.

Always dry the burners and pan supports completely. Water droplets or damp patches on the hob at the start of cooking may damage the enamel.

After cleaning and drying the burners, make sure the burner caps are correctly positioned on the diffuser.

### Caution!

- Do not remove the control knobs when cleaning the appliance. The appliance may be damaged if moisture finds its way inside.
- Do not use steam cleaners. This could damage the hob.
- Never use abrasive products, steel scourers, sharp implements, knives, etc. to remove bits of hardened food from the hob.
- Do not use knives, scrapers or similar implements to clean the point where the glass meets the burner trims, the metal frames or the glass/aluminium panels, if fitted.
- Do not put the burner components in the dishwasher.

### Maintenance

Always clean off any liquid as soon as it is spilt. This will prevent food remains from sticking to the hob surface and you will save yourself any unnecessary effort.

Never slide pans across the glass surface, as you may scratch it. In addition, try not to drop heavy or sharp objects on the glass. Never strike any part of the hob.

Grains of sand that may come from cleaning fruits and vegetables will scratch the glass surface.

Melted sugar, or foods which contain a lot of sugar which may have spilt, should be cleaned off the hob immediately, using the glass scraper.

## Trouble shooting

Sometimes certain faults detected can be easily resolved. Before calling the Technical Assistance Service, bear in mind the following advice:

Fault	Possible cause	Solution
The general electrical system is malfunctioning.	Defective fuse.	Check the fuse in the main fuse box and change it if it is damaged.
	The automatic safety switch or circuit breaker has tripped.	Check the main control panel to see if the automatic safety switch or circuit breaker has tripped.
The automatic switching on function does not work.	There may be food or cleaning products stuck between the ignition sparkers and the burners.	The space between the ignition sparker and the burner must be clean.
	The burners are wet.	Dry the burner caps carefully.
	The burner caps are not correctly positioned.	Check that the burner caps are correctly positioned.
	The appliance is not earthed, is poorly connected or the earthing is faulty.	Contact the installation technician.
The burner flame is not uniform.	The burner components are not correctly positioned.	Correctly place the parts on the appropriate burner.
	The grooves on the burner are dirty.	Clean the grooves on the burner.
The gas flow is not normal or there is no gas.	The gas supply is blocked by gas taps.	Open all gas taps.
	If the gas is supplied from a gas cylinder, check that it is not empty.	Change the gas cylinder.
The kitchen smells of gas.	A gas tap has been left on.	Turn off the taps.
	Incorrect coupling of gas cylinder.	Check that the coupling is sound.
	Possible gas leak.	Shut off the gas supply, ventilate the premises and immediately notify an authorised installation technician to check and certify the installation. Do not use the appliance until ensuring that there is no gas leak in the installation or appliance itself.
The burner immediately switches off after releasing the control knob.	The control knob was not held down for long enough.	Once the burner is on, hold the control knob down a few seconds longer.
	The grooves on the burner are dirty.	Clean the grooves on the burner.

## Customer service

When contacting our customer service, please provide the product number (E-Nr.) and production number (FD) of the appliance. This information is given on the specifications plate located on the lower section of the hob and on the label in the user manual.

Please find the contact data of all countries in the enclosed customer service list.

### To book an engineer visit and product advice

**GB** 0344 892 8979

Calls charged at local or mobile rate.

**IE** 01450 2655

0.03 € per minute at peak. Off peak 0.0088 € per minute.

Rely on the professionalism of the manufacturer. You can therefore be sure that the repair is carried out by trained service technicians who carry original spare parts for your appliances.


## Warranty conditions

In the unlikely event that the appliance is damaged or does not meet your expectations in terms of quality, please inform us as soon as possible. For the warranty to be valid, the appliance must not have been tampered with, or used inappropriately.

The applicable warranty conditions are those set out by the company's representative office in the country of purchase. Detailed information is available from retail outlets. Proof of purchase must be presented to obtain the benefits of the warranty.

We reserve the right to introduce changes.

## Environmental protection

If the  symbol is shown on the specifications plate, bear in mind the following instructions:

### Environmentally-friendly disposal

Dispose of packaging in an environmentally-friendly manner.



This appliance is labelled in accordance with European Directive 2012/19/EU concerning used electrical and electronic appliances (waste electrical and electronic equipment - WEEE). The guideline determines the framework for the return and recycling of used appliances as applicable throughout the EU.

The packaging of your appliance has been manufactured using only the materials which are strictly necessary to guarantee efficient protection during transport. These materials are 100% recyclable, thus reducing the environmental impact. You can also contribute to caring for the environment by following the advice below:

- Dispose of the packaging in the appropriate recycling bin.
- Before you get rid of an old appliance, make sure you disable it. Contact your local authority to find out the address of your nearest recycling centre to dispose of your appliance.
- Do not pour used oil down the sink. Collect it in a sealed container and take it to an appropriate collection point or, failing that, place it in the rubbish bin (it will end up in a controlled dump; this is probably not the best option, but it will avoid contaminating ground water).

## Мазмұны

	Белгіленген түрде қолдану .....	13
	Қауіпсіздік техникасы туралы нұсқаулар ..	14
	Құрылғымен танысу .....	15
	Басқару элементтері мен жанарғы .....	15
	Керек-жарақтар .....	16
	Газ жанарғысы .....	16
	Қолмен қосу .....	16
	Автоматты тұтату .....	16
	Қауіпсіздік жүйесі .....	16
	Жанарғыны өшіру .....	16
	Бас өшіргіш / пісіру аймағының бұғатталуы (Бас өшіргіш) .....	17
	Ескертулер .....	17
	Үстелдер мен ұштар .....	17
	Қолайлы ыдыс .....	17
	Пайдалану туралы нұсқаулар .....	17
	Пісіру кестесі .....	18
	Тазалау мен күту .....	19
	Тазалау .....	19
	Күтім .....	19
	Қателіктер, не істеу керек? .....	20
	Сервистік қызмет көрсету .....	21
	Кепілдік шарттары .....	21
	Қоршаған ортаны қорғау .....	21
	Экологиялық тұрғыдан қауіпсіз жолмен утилизациялау .....	21

Өнім, керек-жарақтар, қосалқы бөлшектер және қызметтер туралы қосымша ақпаратты [www.bosch-home.com](http://www.bosch-home.com) сайтында және [www.bosch-eshop.com](http://www.bosch-eshop.com) интернет-дүкенінде табуға болады

## Белгіленген түрде қолдану

Пайдалану нұсқаулығын ықыласпен оқыңыз. Тек қсылай құрылғыны тиімді және сенімді пайдалану мүмкін. Орнату және пайдалану нұсқаулықтарын жақсы сақтап құрылғының мүмкін келесі иесіне беріңіз.

### Осы нұсқаулық шарттары сақталмаса өндіруші жауапкерлікті мойындамайды.

Осы нұсқаулықтағы суреттер тек шамалық.

Құрылғыны орнатудан алдын пленкасында сақтаңыз. Құрылғыда зақымдарды тапсаңыз оны қоспаңыз. Біздің сервистік қызмет орталығымызға қоңырау шалыңыз.

Осы құрылғы DIN EN 30-1-1 бойынша газ құрылғылары: ішіне салынатын құрылғылар 3-сыныпына сай.

Жаңа пісіру аймағын орнатудан алдын орнату орнату нұсқаулығы бойынша орындалуына көз жеткізіңіз.

Бұл құрылғыны яхта немесе фургонда пайдалану мүмкін емес.

Бұл құрылғыны тек жетерлік желдетілетін жерде пайдалану керек.

Бұл аспап сыртқы таймер немесе пультпен пайдалануға арналмаған.

**Барлық орнату, қосу, реттеу және басқа газ түріне өзгерту жұмыстарын өкілетті маман мен ережелерге және заңдарға және жергілікті тоқ және газ таратушының ережелеріне сай ретте орындалуы керек.**

Желдетіге арналған жүретін ережелер мен жарлықтарға арнайы назар аударыңыз.

Құрылғы зауытта зауыттық тақтайшада жазылған газ түріне реттелген. Басқа газ түріне реттеу туралы ақпаратты құру нұсқаулығында табасыз. Басқа газ түріне өзгерту үшін сервистік қызметке хабарласуды ұсынамыз.

Бұл құрылғы тек үйде пайдалану үшін жасалған, коммерциялық немесе өндірістік пайдалануға рұқсат жоқ. Құрылғыны тек пісіру үшін пайдаланыңыз, ешқашан бөлсені жылыту үшін емес. Кепілдік тек құрылғы өз мақсатында пайдаланылған жағдайда әсер етеді.

Бұл құрылғы теңіз деңгейінен максималды 2000 метрге дейін болған биіктікте пайдалануға арналған.

Пісіру аймағының өндірушісі ұсынбаған қаптама мен балаларды қорғау жүйелерін пайдаланбаңыз. Сәтсіз оқиғалар болуы мүмкін, мысалы материалдар бөлектерінің қызып кетуі, от алуы немесе еріп кетуі арқылы.

Бұл құрылғыны жасы 8-дегі және одан үлкен балалардың, сонымен қатар қозғалу, сезу және ойлану мүмкіндіктері шектелген және/немесе жеткілікті білімі жоқ тұлғалардың пайдалануына тек оларды қауіпсіздіктері үшін жауапкер адам қадағалаған жағдайда немесе осы құрылғыны қауіпсіз пайдалану нұсқауларымен таныс болса және дұрыс пайдаланбау салдарынан қандай қауіптердің орын алатынын түсінетін болса ғана пайдалануларына болады.

Балаларға осы құрылғымен ойнауға рұқсат етпеңіз. Тазалау мен техникалық қызмет көрсетуге 15 жастан асқан балаларға ересектердің қадағалауымен рұқсат етіледі.

Жасы 8-ден кем балаларды құрылғы және тоқ сымынан алыс ұстаңыз.

## **Қауіпсіздік техникасы туралы нұсқаулар**

### **Ескерту және ескертулер – Тұтану қауіпі!**

Жанбаған газ жабық бөлмелерде жиылып тұтану қауіпі пайда болады. Құрылғыны желтетпеңіз. Жанарғылар өшіп қалуы мүмкін. Газ жанарғысының істеуі туралы ескерту нұсқауларын оқыңыз.

### **Ескерту және ескертулер – Уланып қалу қауіптілігі!**

Газдық пісіру құрылғысын пайдалану бөлмесінде жылы, ылғалдық және жану өнімдері пайда болады. Асхана дұрыс желдетілуін, бәрінен бұрын пісіру аймағы жұмыс істегенде қамтамасыз етіңіз: табиғи желдету тесіктерін бас ұстаңыз немесе механикалық желдеткішті (ауа сору құбырын) орнатыңыз. Құрылғыны ұзақ уақты пайдалану үшін қосымша тиімдірек желдеткішті талап етеді: терезені ашып ауа сору құбырының қуатын жоғарылатыңыз.

### **Ескерту және ескертулер – Күйіп қалу қауіпі!**

- Конфоркалар мен қоршауы өте ыстық болады. Ешқашан ыстық беттерге тимеңіз. Жасы 8 шейін болған балаларды алыстатыңыз.
- Егер сұйық газ баллоны тік тұрмаса, сұйық пропан/бутан құрылғыға кіруі мүмкін. Онда жанарғыларда қатты алаулар шығуы мүмкін. Құрамдас бөлшектер зақымдалуы және уақытпен бітеулі болмауы мүмкін, онда газ бақылауысыз шығуы мүмкін. Екеуі де жануға алып келуі мүмкін. Сұйық газ баллондарын әрдайым тік күйде пайдаланыңыз.

### **Ескерту және ескертулер – Өрт қауіпі!**

- Пісіру әдісін бақылау керек. Қысқа уақытты пісіру әдісін үздіксіз бақылау керек.
- Конфоркалар өте ыстық болады. Жанатын заттарды пісіру аймағына қоймаңыз. Пісіру аймағына ешқандай зат қоймаңыз.
- Күйдіргіш химиялық тазалау заттарын немесе өнімдерін, бу тазалауышын, жанатын материалдарды немесе азық-түлік болмайтын басқа өнімдерді осы тұрмыстық құрылғы астына қоймаңыз немесе оның қасында пайдаланбаңыз.

- Қызып кеткен май оңай жанып кетеді. Майды қыздырғанда оны алып тастамаңыз. Егер май жанып кетсе алауды сумен сөндіріңіз. Пісіру ыдысын алауды сөндіру үшін қақпақпен жабып конфорканы өшіріңіз.

### ⚠ Ескерту және ескертулер – Жарақат алу қаупі!

- Газ плитада сызаттар мен сынықтар қауіпті табылады. Барлық жанарғылар мен әп электр қыздыру элементін дереу өшіріңіз. Желілік айырды шығарыңыз немесе сақтандырғыш шкафында сақтандырғышты өшіріңіз. Газ ағымын жабу. Құрылғының пісіру аймағының бетіне тимеңіз. Ешқашан бұзылған құрылғыны қоспаңыз. Қызмет көрсету орталығына хабарлаңыз.
- Қатты температура өзгерістері әнектің заөймаднуына алып келуі мүмкін. Пісіру аймағын пайдалануда желдету және суық су шашырауына жол бермеңіз.
- Зақымдалған, өлшемі сәйкес емес, қырлары пісіру аймағынан шығып тұрған немесе дұрыс тұрмаған пісіру ыдыстары ауыр зияндарға алып келуі мүмкін. Пісіру ыдыстары үшін ұсыныстар мен нұсқауларды ескеріңіз.
- Тиісті болмаған жөндеулер қауіпті болып табылады. Тек біз арқылы оқытылған сервистік қызмет технигі жөндеулерді орындауы және зақымдалған тоқ сымдары мен газ құбырларын алмстыруы мүмкін. Егер құрылғы бұзылса, желі айырын тартыңыз немесе сақтандырғыш шкафта сақтандырғышты өшіріңіз, газ ағынын жабыңыз. Қызмет көрсету орталығына хабарлаңыз.
- Егер реттеу түймешігі бұралмаса немесе бос тұрса, оны басқа пайдалануға болмайды. Дереу сервистік қызметке хабарласып реттеу түймешігін жөндетіңіз немесе алмастырыңыз.

### ⚠ Ескерту және ескертулер – Электр қуатынан зақымға ұшырау қауіптілігі!

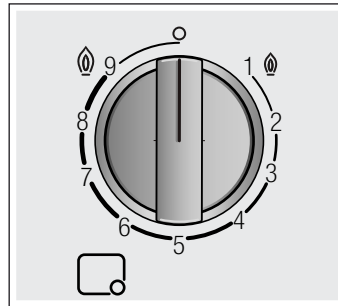
- Құрылғыны тазадау үшін бу тазалауышын пайдаланбаңыз.
- Шыны табадағы жарылық пен сынықтар тоқ соғуына алып келуі мүмкін. Сақтандырғышты сақтандырғыш шкафында өшіріңіз. Қызмет көрсету орталығына хабарлаңыз.

## 👁 Құрылғымен танысу

Жиһаз шолуында құрылғы жанарғыны қуаттарымен табасыз. → 2-ші бет

### Басқару элементтері мен жанарғы

Әр реттеу тетігінде тиісті жанарғы белгіленген. Реттеу тетігімен түрлі күйлерге сай керекті қуатты максималдық пен минималдық мәндер аралығында реттеуге болады. Ешқашан 0 күйінен тікелей 1 күйіне немесе 1 күйінен 0 күйіне ауыстырмаңыз.

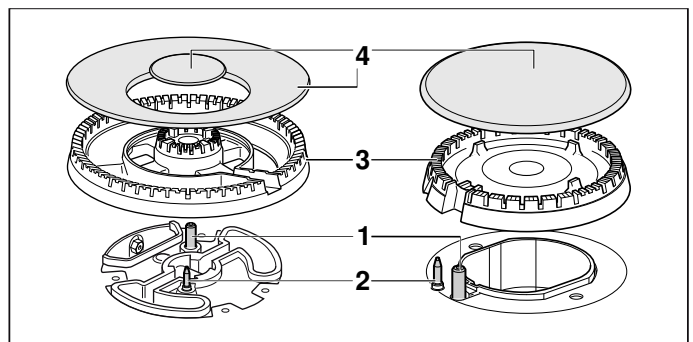


#### Көрсеткіштер

	Реттеу тетігімен реттелетін жанарғы
	Өшірілген жанарғы
	Ең жоғарғы қуат басқышы ме электр оталу
	Ең төменгі қуат басқышы

Құрылғыны дұрыс пайдалану үшін торлар мен барлық жанарғы бөліктері дұрыс тұруы керек. Жанарғы қақпақтарын шатастырмаңыз.

Торшаларды абайлап алып қойыңыз. Торшаны жылжыту қасындағы торшаларды жылжытуы мүмкін.



#### Элементтер

1	От алдыру білтесі
2	Термоэлемент
3	Жанарғы шыаяғы
4	Жанарғы қақпағы

## Керек-жарақтар

Үлгісіне байланысты ретте пісіру аймағында төмендегі жабдықтарды табу мүмкін. Оларды сервистік қызмет орталығында да алу мүмкін.

	<p><b>Қосымша Вок торы</b> Тек вок жанарғыда және дәіесі бар пісіру ыдыстарымен пайдалануға арналған. Қосымша Вок торын пайдалануды ұсынмамыз, осылай құрылғының пайдалану мерзімін ұзартасыз.</p>
	<p><b>Эспрессо қайнатқышы үшін қосымша ұстағыш</b> Тік түбінің диаметрі 12 см-ден кіші болған пісіру ыдыстарын ең кіші жанарғыда пайдалану үшін.</p>
	<p><b>Simmer Cap</b> Қақпақ тек баяу отта ас әзірлеуге ғана арналған. Simmer Cap-ты үнемді жанарғының қақпағына орнатыңыз. Ыдысты әрдайым тордың үстіне қойыңыз, оны ешқашан тікелей Simmer Cap жанарғысының үстіне қоймаңыз.</p>

### Коды

HEZ298126	Вок қосымша торшасы: шойын (мини вок жанарғысы)
HEZ298127	Вок қосымша торшасы: шойын (4-5 кВт)
HEZ298110	Вок қосымша шілтері: эмальдалған болат
HEZ298114	Эспрессо қайнатқышы үшін қосымша ұстағыш
HEZ211310	Simmer Cap

Өндіруші осы керек-жарақтарды пайдаланбау немесе қате пайдалану үшін ешқандай жауапкершілікті мойындамайды.

## Газ жанарғысы

### Қолмен қосу

1. Таңдалған жанарғының реттеу тетігін басып оны солға ең жоғарғы қуат басқышына дейін бұраңыз.
2. Өттік немесе алауды (шақпақ, сіріңке т.б.) жанарғыға жақын ұстаңыз.

### Автоматты тұтату

Егер қуыру панелінде автоматты тұтату функциясы қарастырылған болса (тұтату білтесі):

1. Таңдалған жанарғының реттеу тетігін басыңыз да, оны солға қарай максималды қуат деңгейіне дейін бұраңыз. Сіз реттеу тетігін басып тұрғанда, барлық жанарғыларда ұшқын разрядтары пайда болады. От тұтанады. Бірнеше секунд күтіңіз.
2. Реттеу тетігін жіберіңіз.
3. Реттеу тетігін қажетті күйге бұраңыз.

Егер от тұтанбаса, жанарғыны өшіріңіз де, жоғарыда сипатталған қадамдарды қайталаңыз. Бұл жолы реттеу тетігін ұзағырақ басып тұрыңыз (10 секундқа дейін).

### ⚠ Ескерту және ескертулер – Жарылу қаупі бар!

Егер 15 секунд өткен соң от тұтанбаса, жанарғыны өшіріп, бөлменің есігін немесе терезесін ашыңыз. Жанарғыны қайта жақпас бұрын, кем дегенде бір минут күте тұрыңыз.

**Ескерту:** Бәрін барынша таза ұстаңыз. Егер тұтату білтелері ластанған болса, ол оттың дұрыс тұтанбауына алып келуі мүмкін. Тұтату білтелерін тұрақты түрде шағын бейметалл щёткамен тазалап тұрыңыз. Тұтату білтелеріне қатты соққылардың тимеуін қадағалаңыз.

### Қауіпсіздік жүйесі

Пісіру панеліңізде қауіпсіздік жүйесі (термоэлемент) бар, ол жанарғылар кездейсоқ өшсе газ шығуын тоқтатады.

Осы аспап белсенді болуына көз жеткізу үшін:

1. Жанарғыларды кәдімгідей жандырыңыз.
2. Реттеу тетігін от алудан соң 4 секунд басып тұрыңыз.

### Жанарғыны өшіру

Тиісті реттеу тетігін оңға 0 күйіне шейін бұраңыз.

Жанарғы өшкеннен бірнеше секунд соң қатаң дыбыс естіледі. Бұл қалыпты жағдай болып қауіпсіздік жүйесі өшкенін білдіреді.



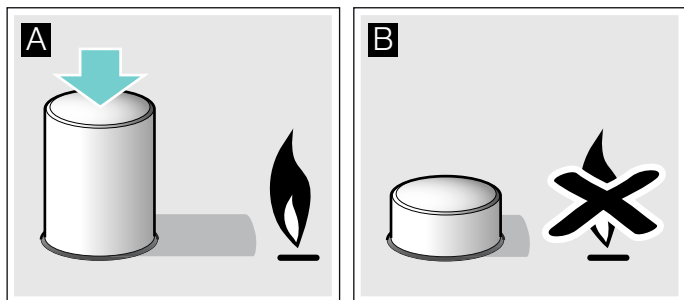
## Бас өшіргіш / пісіру аймағының бұғатталуы (Бас өшіргіш)

Үлгіге қарай пісіру аймағы бас өшіргішпен жабдықталған, ол бас газ ағымын өшіріп барлық жанарғыларды өшіреді. Бас өшіргіш балалар үйде болғанды немесе кейбір себептен барлық жанарғыларды жылдам өшіру керек болса оңай болады.

### Пісіру аймағын бұғаттау:

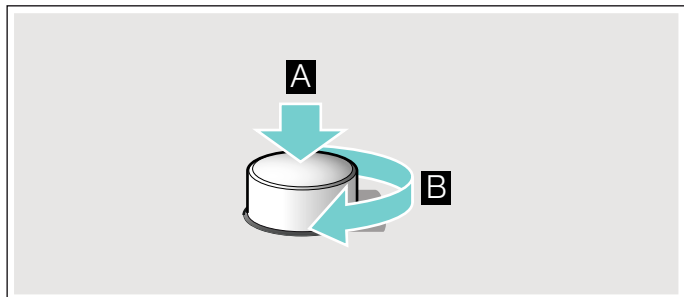
Бас өшіргішті басыңыз.

Барлық қосулы жанарғылар өшеді. Пісіру аймағы бұғатталған.



### Пісіру аймағының бұғаттауын ашу:

1. Барлық басқару тетіктерін өшік күйіне келтіріңіз.
2. Бас өшіргішті басып сағат тілімен тірелгенше бұраңыз.



Бас газ ағымы ашылады. Енді пісіру аймағын қалыпты пайдалану мүмкін.

## Ескертулер

Жанарғы істеуі кезінде жай дыбыс қалыпты болып табылады.

Бірінші пайдалануда иіс шыққаны қалыпты. Бұл қауіпті болмай ақау болмайды. Иістер уақытпен жоғалады.

Сарғылт алау қалыпты болып табылады. Ол ауадағы шаң және тасып кеткен сұйықтықтар себебінен пайда болады.

Егер жанарғы алауы кездейсоқ өшсе жанарғының басқару жұдырықшасын Өшікке қойып жанарғы кемінде бір минут жандырмаңыз.

## Үстелдер мен ұштар

### Қолайлы ыдыс

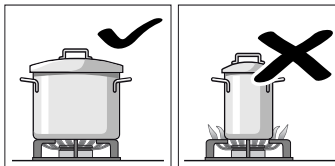
Жанарғы	Пісіру ыдысы түбінің минималдық диаметрі	Пісіру ыдысы түбінің максималдық диаметрі
Вок жанарғысы	22 см	30 см
Қатты жанатын жанарғы	20 см	26 см
Стандартты жанарғы	14 см	22 см
Тиімді жанарғы	12 см	16 см

Ыдыс конфорка шетінен шықпауы тиіс.

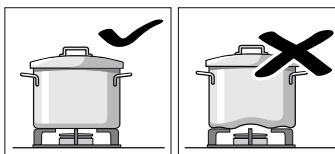
Егер пісіру панеліңізде Wok жанарғысы мен қосымша Wok торы болса ғана, түбі дөңес ыдыс қолданыңыз. Қосымша Wok торы дұрыс орнатылған болуы керек.

### Пайдалану туралы нұсқаулар

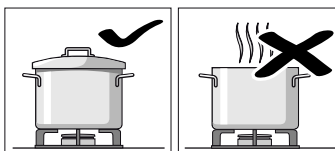
Келесі нұсқаулар қуатты үнемдеуге және ыдыстың зақымдалуын болдырмауға көмектеседі:



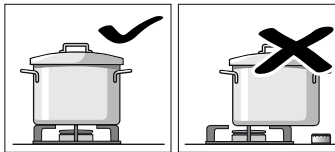
Әр жанарғы үшін өлшемі қолайлы ыдысты пайдаланыңыз. Үлкен жанарғылар үшін өлшемі шағын ыдысты пайдаланбаңыз. Жалын ыдыстың бүйірлеріне тимеуі керек.



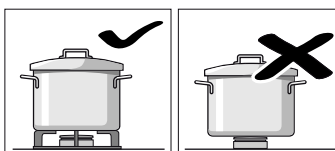
Өзірлеу бетінде тұрақты тұрмайтын пішіні өзгерген ыдысты пайдаланбаңыз. Ыдыс аударылуы мүмкін. Тек түбі тегіс немесе қалың ыдысты пайдаланыңыз.



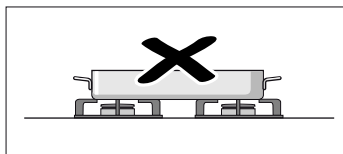
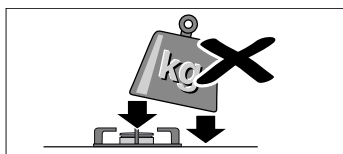
Қақпақсыз немесе жылжып кеткен қақпақпен әзірлемеңіз. Қуаттың көп мөлшері тұтынылады.



Пісіру ыдысын жанарғы ортасына қойыңыз әйтпесе ыдыс түсіп кетуі мүмкін. Үлкен кастрюльдерді жанарғы үстіне арматураға жақын қоймаңыз. Олар қызып зақымдануы мүмкін.



Кәстрөлдерді торларға қойыңыз, бірақ ешқашан тікелей жанарғыларға қоймаңыз. Пайдаланбай тұрып ыдысқа арналған торлар және жанарғылардағы қақпақтар дұрыс орнатылғанына көз жеткізіңіз.



Әзірлеу бетінде тұрған ыдыс көмегімен абайлап әзірлеңіз. Әзірлеу бетін соқпаңыз және оның үстіне салмағы ауыр заттарды қоймаңыз. Бір ыдыс үшін екі жанарғыны немесе екі қыздыру көзін пайдаланбаңыз. Табаларды, кәстрөлдерді және т.б. толық қуатпен ұзақ уақыт бойы пайдаланбаңыз.

## Пісіру кестесі

Төмендегі кестеде түрлі тағамдар үшін оңтайлы пісіру басқыштары мен пісіру уақыттарын табасыз. Берілген деректер төрт порцияға арналған.

Пісіру уақыттары мен пісіру басқыштары тағамдардың түріне, салмағына және сапасына, пайдаланған газ түріне және пісіру ыдысының материалына байланысты. Осы тағамдарды әзірлеу үшін тот баспайтын болаттан жасалған пісіру ыдыстары қолданады.

Әрдайым сай үлкен пісіру ыдыстарын пайдаланып жанарғы ортасына қойыңыз. Пісіру ыдысының диаметрі бойынша мәліметтерді → "Қолайлы ыдыс" мекенжайында табасыз.

## Кесте туралы мәліметтер

Әр тағамның пісірілуі бір немесе бірнеше сатыдан тұрады. Әр қадам төмендегі мәліметтерді қамтиды:

- 🕒 Конфорка
- 🕒 Минутпен көрсетілген ұзақтық

Кестеде әртүрлі жанарғыларды пайдаланып пісірілетін тағамдарды әзірлеу жөніндегі мәліметтер берілген. Бірінші жанарғыны пайдалану ұсынылады. Модельге шолу жасалған мәліметтерде конфорканың барлық жанарғылары сипатталған. → 2-ші бет

Тәсіл Тамақ	Жанарғы	1-қадам		2-қадам	
		🕒	🕒	🕒	🕒
<b>Пісіру, әзірлеу</b>					
Балық сорпасы	5 4 7	8-9	6-13	1-4	4-9
Асқабақ кремi, борщ сорпасы	5 4 7	9	8-17	2-6	17-33
Минестроне (көкөніс сорпасы)	5 4 6	9	8-12	3-6	35-50
Спагетти	5 4 7	8-9*	8-12	6-7	10-12
Күріш	5 4 7	8-9	4-9	2-6	11-15
Рабиоли	5 4 7	8-9	4-14	6-8	5-8
Тау жасымықтары	5 4 7	6-9	8-22	4-8	25-35
Мидиялар	5 6 7	9	4-7		
Қуырылған шұжықтар (12 дана)	4 7 5	4-9	7-14		
Сүтті күріш**	4 3 7	7-9*	9-14	1-4*	21-31

\* Қақпақсыз

\*\*Үздіксіз араластыру

Тәсіл Тамақ	Жанарғы	1-қадам		2-қадам	
		🕒	🕒	🕒	🕒
Испан пудингі**	5 4 7	2-5*	3-13		
Бисквит (қайнаған суға жылытылған)	5 7 6	9	35-45		
<b>Шыжып тұрған майға қуыру</b>					
Фри	7 5 6	7-9*	15-20		
Испан тортильясы	5 6 7	9*	18-30		
Теңіз шортаны, ұнға аунатылған	5 6 7	6-8*	4-10		
Тауық шницелі (8 тауық төсінің еті)	5 7 4	9*	2-12	6*	5-8
Крокеттер, мұздатылған (16 дана)	6 5 7	8-9	4-10		
Балықтан әзірленген таяқшалар, қатты мұздатылған (12 дана)	6 5 7	8-9	4-10		
<b>Аз ғана майда шыжғырып қуыру, қабығы алтын түстес болғанша қуыру, табада қуыру</b>					
Темпура қамырына салынған көкөністер	5 6 7	7*	6-8	5-6*	5-9
Жаңа піскен көкөністен соте**	7 6 5	9*	6-8		
Шакшука, менемен	4 5 7	6-9	7-13	3-4	4-9
Омлет (1 дана)	4 5 6	8-9*	2-5		
Пеште пісірілген албырт балығы	5 6 7	7-8*	2-4	1	3-8
Үйректің төс еті (1 дана)	4 5 7	5-7*	6-11		
Сыр етінен әзірленген бефстроганов	6 5 7	8-9*	5-13		
Фарш	5 4 6	8-9*	12-25		
Қуырылған шұжық (12 дана)	5 4 7	7-9	5-12		
Сыр етінен әзірленген гамбургер (4 дана, қалыңдығы 1 см, 110 г)	5 6 7	9*	1-3	7*	2-6
Құймақ (4 дана)	6 5 7	7*	1-3	4-6*	7-19
Мұздатылған көкөністер**	5 6 7	9*	5-12		

\* Қақпақсыз

\*\*Үздіксіз араластыру

Тәсіл Тамақ	Жанарғы	1-қадам		2-қадам	
		🕒	🕒	🕒	🕒
Неаполь тұздығы	4 7 6	6-8*	1-4	4-6*	12-19
Пицца (диаметрі 20 см)	7 6 5	1	4-20		
<b>Скороваркада пісіру</b>					
Қайнатылған картоп (пюре, картоп салаты)	5 4 7	7-9	8-13	5-6	14-18
Хумус (киш бұршақтарынан әзірленген пюре)	5 6 7	7-9	10-12	4-7	37-43
Нан пудингі (қайнаған суға жылытылған)	5 7 6	8-9	8-12	6-7	12-18
<b>Еріту, жібіту, таңдаулы тағамдар</b>					
Бешамель тұздығы**	3 4 7	5-6*	1-4	5-6	2-11
Көк зеңді ірімшік қосылған тұздық**	3 4 5	5-7*	3-6		
Карбонара тұздығы	4 5 3	5-9*	4-7	3-5*	4-8
Сүтті шоколад	3 4	1*	10-20		
* Қақпақсыз					
**Үздіксіз араластыру					

### Пісіру бойынша кеңестер

- Крем-сорпаларды және бұршақ жемістерді әзірлеу үшін жылдам пісіру қазанын пайдаланыңыз. Пісіру уақыты қатты қысқарады. Егер жылдам пісіру қазанын пайдалансаңыз, өндіруші нұсқауларын орындаңыз. Барлық ингредиенттерді басында қосыңыз.
- Картоп және күрішті пісіруде әрдайым қақпақты қойыңыз. Пісіру уақыты осылай кемеяды. Кеспе, күріш немесе картопты салудан алдын суды қайнатыңыз. Сосын қайнауды жалғастыру үшін пісіру басқышын сәйкестендіріңіз.
- Таба тағамдарда алдымен майды қыздырыңыз. Қуыруды бастағанда пісіру басқышын керек болғанда реттеп температураны тұрақты сақтаңыз. Бірнеше порцияларды әзірлеуде температура жетілгенше күтіңіз. Тағамдарды жүйелік ретте аударыңыз.
- Сорпа, крем, жасымықтарды немесе кіш бұршақтарын пісіргенде барлық ингредиенттерді бірдей пісіру ыдысына салыңыз.



## Тазалау мен күту

### Тазалау

Құрылғы суыған болса оны губка, су және сабынбен тазалаңыз.

Жанарғы бөліктерінің беттерін әр пайдаланудан соң сұйық жағдайда тазалаңыз. Кіші тамақ қалдықтары да (тамған тамақтар, шашыраған май т.б.) бетке күйіп жабысса кейінірек оларды жою қиын болады. Дұрыс алау шығуы үшін жанарғы ойықтары мен тесіктері таза болуы керек.

Кейбір пісіру ыдыстарын жылжыту торларда метал іздерін қалдыру мүмкін.

Жанарғы мен торларды сабын сумен және метал емес қылшақпен тазалаңыз.

Егер торда резеңке қаптамалары болса тазалауда абай болыңыз. Қаптама шешіліп тор пісіру аймағын қыру мүмкін.

Әрдайым барлық жанарғы мен торларды тазалаңыз.

Пісіру әдісінің басында су тамшылары мен ылғал аймақтар эмальды зақымдауы мүмкін.

Жанарғылар тазаланып кептірілгеннен соң қақпақтар үлестірушіде дұрыс жатқанына көз жеткізіңіз.

### Сақтандыру және сақтандырулар!

- Құрылғыны тазалау үшін реттеу элементтерін алып қоймаңыз. Кірге ылғалдық құрылғыны зақымдауы мүмкін.
- Бу тазалауышын пайдаланбаңыз. Пісіру аймағын зақымдау мүмкін.
- Қатқан тамақ қалдықтарын пісіру аймағынан жою үшін ешқандай ысқалау заттарын, метал губкаларын, ұштық заттарды, пышақтарды немесе ұқсастарды пайдаланбаңыз.
- Әйнектің жанарғы тығынымен, метал профилімен қосылу жайын тазалау үшін немесе әйнекті немесе алюминий табаларда ешқандай пышақ, қырғыш немесе ұқсасын пайдаланбаңыз.
- Жанарғының құрамдас бөлшектерін ыдыс жуғыш машинаға салмаңыз.

### Күтім

Шашыраған сұйықтықтарды әрдайым дереу жойыңыз. Осылай ас қалдықтары жабыспай сіз күшпен уақытыңызды сақтайсыз.

Пісіру ыдыстары әйнек үстінен тартпаңыз тырнаулар пайда болуы мүмкін. Қатты немесе ұштық заттар әйнекке түсуінің алдын алыңыз. Пісіру аймағының шеттері қағылмасын.

Құм түйірі (мысалы көкөністерді тазалаудан) әйнекті бетті қырады.

Карамельденген шекер немесе қант қамтитын ағып кеткен азық-түліктерді әйнекті қырғышпен жою мүмкін.

## Қателіктер, не істеу керек?

Кейбір жағдайларда пайда болған ақаулықтарды оңай жою мүмкін. Сервистік қызметке қоңырау шалудан алдын төмендегі нұсқауларды орындаңыз:

Ақау	Мүмкін себеп	Шешім
Жалпы электр ақауы.	Сақтандырғыш зақымдалған.	Бас сақтандырғыш шкафында сақтандырғыш зақымданбағанын тексеріңіз, керек болса алмастырыңыз.
	Автоматты сақтандырғыш немесе авариялық тоқтан сақтандыру қосқышы іске қосылды.	Бас басқару панелінде автоматты сақтандырғыш немесе авариялық тоқтан сақтандыру қосқышы күйгенін тексеріңіз.
Автоматты от алу істемей жатыр.	От алдыру бітелері мен жанарғылар арасында азық-түлік немесе тазалағыш қалдықтары болуф мүмкін.	От алдыру бітесі мен жанарғы арасы таза болуы керек.
	Жанарғылар ылғалды.	Жанарғы қақпақтарын әбден кептіріңіз.
	Жанарғы қақпақтары дұрыс қойылмады.	Қақпақтар дұрыс жатуын тексеріңіз.
	Құрылғы жерге қосымалған немесе қате қосылған немесе қоспа зақымдалған.	Электр орнатушына хабарласыңыз.
Бір қалыпты болмаған жанарғы алауы.	Жанарғы бөліктері дұрыс қойылмады.	Жанарғы бөліктерін тиісті жанарғысына дұрыс қойыңыз.
	Жанарғы ойықтары ластанған.	Жанарғы ойықтарын тазалаңыз.
Газ ағымы қалыпты емес немесе газ шықпай жатыр.	Аралық клапандар жабық.	Мүмкін аралық клапандарын ашыңыз.
	Газ баллонын пайдалансаңыз ол бос болмауын тексеріңіз.	Газ баллонын алмастырыңыз.
Асханада газ иісі шығып жатыр.	Газ шүмегі ашық.	Газ шүмектерін жабыңыз.
	Газ баллоны дұрыс біріктірілмеген.	Газ баллон бітеулігін тексеріңіз.
	Мүмкін газдың кемуі.	Газ шүмегін жабып аймақты желдетіңіз да орнатуды тексеріп сертификаттау үшін авторизацияланған маманға хабарласыңыз. Құрылғы немесе орнатылымда ешқандау газ кемуі жоқтығы қамтамасыз етілмегенше құрылғыны пайдаланбаңыз.
Жанарғы басқару жұдырықшасын жібергеннен соң бірден өшеді.	Басқару жұдырықшасын ұзақ баспадыңыз.	Жанарғы ота ағаннан соң басқару жұдырықшасын бірнеше секунд басыр тұрыңыз.
	Жанарғы ойықтары ластанған.	Жанарғы ойықтарын тазалаңыз.

## Сервистік қызмет көрсету

Сервис қызмет көрсету орталығына қоңырау соққан кезде құрылғының өнім нөмірін (E-Nr.) және бұйымның өндіру нөмірін (FD) біліп тұрыңыз. Бұл ақпаратты пісіру аймағының астында тұрған зауыттық тақтайшадан және пайдалану нұсқаулығындағы жапсырмадан аласыз.

Барлық елдер бойынша контакт мәліметтері сервистік қызмет қосымшасында берілген.

Бұйымды өндірушіге сеніп сервис қызмет көрсету орталығына қайрылыңыз. Сервис қызмет көрсету орталығы ғана құралыңыз үшін керекті мамандарды және түпнұсқаулық бөлшіктерді таба алады.


### Кепілдік шарттары

Егер құрылғыда зақымданулар болса немесе сапасы талаптарыңызға сәй болмаса бізге хабарласыңыз. Кепілдікті пайдалану үшін құрылғыны рұқсатсыз өзгерту немесе пайдалану мүмкін емес.

Кепілдік шарттарын құрылғы сатылған елдегі өкіліміз белгілейді. Қосымша мәліметтерді сату жайларында аласыз. Кепілдікті пайдалану үшін құрылғыны сатып алу қиыбын көрсету керек.

Біз өзгертулерді енгізу құқықын сақтап қаламыз.

## Қоршаған ортаны қорғау

Егер құрылғының өауттық тақтайшасында  белгісі, бар болса, онда төмендегі нұсқауларды орындаңыз.

### Экологиялық тұрғыдан қауіпсіз жолмен утилизациялау

Ораманы экологиялық тұрғыдан қауіпсіз жолмен утилизациялаңыз.



Бұл құрылғыда 2012/19/ЕО электр және электрондық жабдықты (қоқыс электр және электрондық жабдық - WEEE) утилизациялау туралы еуропалық директиваға сай белгісі бар. Бұл директива Еуропалық Одақ шеңберінде ескі құрылғыларды қайтару және утилизациялау тәртібін қамтамасыз етеді.

Құрылғыңыз орамасы тасымалдауда тиімді қорғауды қамтамасыз ету үшін керекті материалдардан жасалған. Осы материалдарды толық кедеге жарату мүмкін болып қоршаған ортаны қорғауға көмектеседі. Төмендегі нұсқауларды орындап қоршаған ортаны қорғауға көмектесесіз:

- Ораманы кедеге жаратылатын материалдар контейнеріне тастаңыз.
- Тастаудан алдын пайдаланылмаған құрылғыны пайдасыз қылыңыз. Жергілікті әкімшіліктен жақын қайталама шикізат жинау жерінің мекенжайын біліп құрылғыны сол жерге жіберіңіз.
- Пайдаланылған маларды раковинаға тастамаңыз. Майды жабылатын ыдыста жинап жинайтын жерде беріңіз немесе мүмкін болмаса оны қоқыс контейнеріне тастаңыз (осылай басқарылатын қоқыс ажыратуы мүмкін болады - ең дұрыс шешім болмаса да су ластанбайды).

## Оглавление

	Применение по назначению .....	22
	Важные правила техники безопасности. ....	23
	Знакомство с прибором .....	24
	Элементы управления и горелки .....	24
	Дополнительное оборудование .....	25
	Газовые конфорки .....	25
	Ручное включение .....	25
	Автоматический поджиг .....	25
	Система газ-контроль .....	25
	Выключение конфорки .....	25
	Главный выключатель / Блокировка варочной панели (Main Switch) .....	26
	Примечания .....	26
	Таблицы и полезные советы .....	26
	Подходящая посуда .....	26
	Советы по эксплуатации .....	26
	Таблица приготовления .....	27
	Чистка и техническое обслуживание .....	28
	Очистка .....	28
	Уход .....	28
	Что делать в случае неисправности? .....	29
	Служба сервиса .....	30
	Условия гарантийного обслуживания .....	30
	Охрана окружающей среды .....	30
	Правильная утилизация упаковки .....	30

Более подробную информацию о продукции, принадлежностях, запасных частях и службе сервиса можно найти на официальном сайте [www.bosch-home.com](http://www.bosch-home.com) и на сайте интернет-магазина [www.bosch-eshop.com](http://www.bosch-eshop.com)

## Применение по назначению

Внимательно ознакомьтесь с данными инструкциями. Только после этого вы сможете правильно и безопасно пользоваться своим прибором. Сохраните руководство по эксплуатации и монтажу и, если прибор переходит к другому пользователю, передайте ему это руководство.

**При невыполнении инструкций, содержащихся в данном руководстве, производитель освобождается от всякой ответственности.**

Приведенные в данном руководстве рисунки являются ориентировочными.

Не снимайте защитную упаковку с электроприбора до момента проведения монтажа. Если вы заметили на приборе следы каких-либо повреждений, не подключайте его к сети. Свяжитесь с нашим сервисным центром.

Данный прибор относится к третьему классу защиты по стандарту EN 30-1-1 для газовых приборов: встроенное оборудование.

Перед тем, как установить новую варочную панель, позаботьтесь о том, чтобы установка проводилась в соответствии с руководством по монтажу.

Данный прибор нельзя устанавливать на яхтах и в автокемперах.

Данный прибор можно устанавливать только в хорошо проветриваемых помещениях.

Этот прибор не предназначен для использования с внешним таймером или пультом управления.

**Все операции по установке, подключению к электросети, наладке и адаптации к другому виду газа должны проводиться сертифицированным специалистом в соответствии со всеми действующими нормами и законодательством, а также с предписаниями местных газо- и электроснабжающих компаний. Особое внимание следует уделить требованиям к вентиляции.**

Данный прибор настроен для использования с газом, указанным в табличке с

характеристиками. При необходимости перенастроить его для использования с другим типом газа ознакомьтесь с руководством по монтажу. Для адаптации прибора к другому типу газа рекомендуем связаться с нашим сервисным центром.

Данный прибор предназначен исключительно для бытового использования и не может применяться в промышленных или коммерческих целях. Используйте прибор только для приготовления пищи, а не для обогрева помещения. Гарантия производителя действительна только в случае использования прибора по назначению.

Данный прибор предназначен для использования на высоте не более 2000 м над уровнем моря.

Не используйте защитные крышки для варочной панели и защитные ограждения для детей, за исключением рекомендованных производителем варочной панели. Это может привести к несчастному случаю, например, вследствие перегрева, возгорания или отслоения фрагментов материалов.

Дети до 8 лет, лица с ограниченными физическими, умственными и психическими возможностями, а также лица, не обладающие достаточными знаниями о приборе, могут использовать прибор только под присмотром лиц, ответственных за их безопасность, или после подробного инструктажа и осознания всех опасностей, связанных с эксплуатацией прибора.

Детям не разрешается играть с прибором. Очистка и обслуживание прибора не должны производиться детьми, это допустимо, только если они старше 15 лет и их контролируют взрослые.

Не допускайте детей младше 8 лет к прибору и его сетевому проводу.

## **Важные правила техники безопасности**

### **Предупреждение – Существует опасность возгорания!**

Скопление газа в закрытом помещении может привести к возгоранию. Следите, чтобы во время работы варочной панели не было сквозняков. Струя воздуха может

задуть пламя на конфорках. Внимательно ознакомьтесь с инструкциями и правилами техники эксплуатации газовых конфорок.

### **Предупреждение – Существует опасность отравления!**

Использование газового прибора повышает температуру, влажность и концентрацию продуктов сгорания в помещении, где он установлен. Необходимо обеспечить хорошую вентиляцию кухни, в особенности во время работы варочной панели: не загромождайте отверстия естественной вентиляции или установите устройство для механической вентиляции (вытяжку). При продолжительном или интенсивном использовании прибора может потребоваться дополнительное или более интенсивное проветривание: откройте окно или увеличьте мощность механической вытяжки.

### **Предупреждение – Существует опасность ожога!**

- Конфорки и поверхность вокруг них сильно нагреваются. Не прикасайтесь к раскаленной поверхности. Не допускайте к плите детей младше 8 лет.
- Если баллон со сжиженным газом находится не в вертикальном положении, то сжиженный пропан-бутан может попасть в прибор. При этом из горелок может вырваться сильное пламя. Некоторые части прибора могут повредиться и со временем стать негерметичными из-за неконтролируемого выхода газа, что может привести к ожогам. Держите баллоны со сжиженным газом всегда в вертикальном положении.

### **Предупреждение – Опасность возгорания!**

- Необходимо наблюдать за процессом варки. Необходимо непрерывно наблюдать за кратковременным процессом варки.
- Конфорки очень сильно нагреваются. Никогда не кладите легковоспламеняющиеся предметы на варочную панель. Не используйте варочную панель в качестве места складирования предметов.
- Нельзя хранить и использовать вблизи данного электроприбора или под ним едкие химические средства, газообразные вещества, легковоспламеняющиеся материалы и непищевые продукты.

- Перегретый жир и масло легко возгораются. Не оставляйте нагревающийся жир или масло без присмотра. Если возгорание произошло, не заливайте огонь водой. Накройте сковороду или кастрюлю крышкой, чтобы погасить огонь, и выключите конфорку.

**⚠ Предупреждение – Опасность травмирования!**

- Трещины или сколы стеклянной панели могут привести к травмированию. Немедленно выключите все горелки и электронагревательные элементы. Извлеките из розетки вилку сетевого провода или выключите предохранитель в блоке предохранителей. Перекройте подачу газа. Не касайтесь поверхности прибора. Никогда не включайте неисправный прибор. Вызовите специалиста сервисной службы.
- Резкие перепады температуры могут вызвать повреждение стекла. Во время использования варочной панели избегайте сквозняков и проливания холодных жидкостей.
- Использование поврежденной посуды, посуды неподходящего размера, кастрюль и сковород, края которых выступают за границы варочной панели, а также неправильная установка посуды на конфорку могут стать причиной серьезных травм. Следуйте советам и рекомендациям по использованию посуды.
- При неквалифицированном ремонте прибор может стать источником опасности. Любые ремонтные работы и замена газопроводящих труб или электропроводки должны выполняться только специалистами сервисной службы, прошедшими специальное обучение. Если прибор неисправен, отключите предохранитель в блоке предохранителей или выньте вилку сетевого провода из розетки и перекройте подачу газа. Вызовите специалиста сервисной службы.
- Если кнопка управления не поворачивается или держится слишком слабо, её нельзя использовать. Обратитесь в сервисную службу для ремонта или замены кнопки управления.

**⚠ Предупреждение – Существует опасность поражения электротоком!**

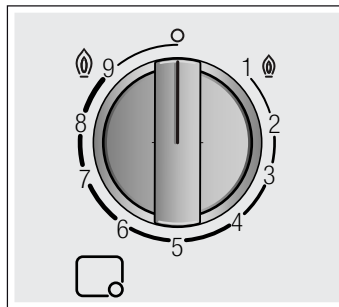
- Нельзя пользоваться для очистки варочной панели пароочистителем.
- Трещины или сколы на стеклянной панели могут привести к удару электрическим током. Отключите предохранитель в блоке предохранителей. Вызовите специалиста сервисной службы.

## Знакомство с прибором




В обзоре моделей Вы найдёте ваш прибор с информацией о мощностях горелки. → Страница 2

### Элементы управления и горелки

На каждом регуляторе указана соответствующая горелка. С помощью регуляторов можно установить в соответствии с различными положениями требуемую мощность: от максимального до минимального значения. Никогда не пытайтесь перейти из положения 0 сразу в положение 1 или из положения 1 в положение 0.

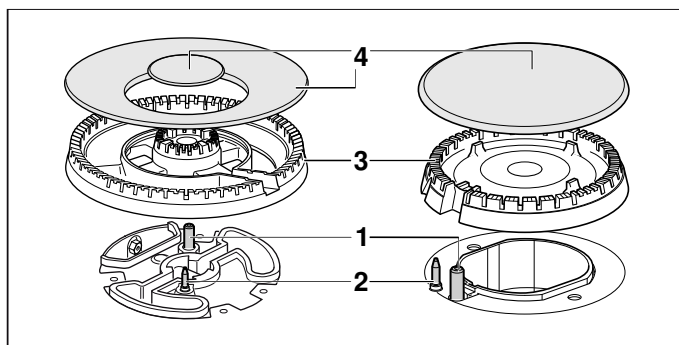


#### Индикаторы

	Управляемая регулятором горелка
0	Выключенная горелка
	Максимальный уровень мощности и электрический поджиг
1 	Минимальный уровень мощности

Чтобы варочная панель хорошо работала, следите за тем, чтобы решетки и все детали горелок были правильно установлены. Не меняйте местами крышки горелок.

Всегда осторожно снимайте решётки. При перемещении одной решётки можно сдвинуть и находящиеся рядом решётки.



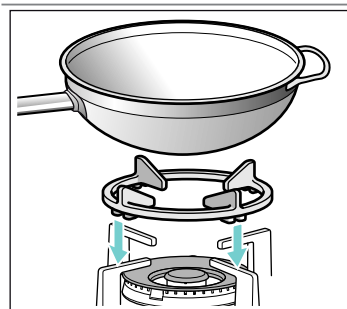
#### Элементы

1	Свеча поджига
2	Термоэлемент
3	Корпус горелки
4	Крышка горелки



## Дополнительное оборудование

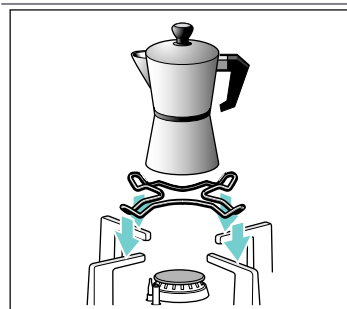
В зависимости от модели, в комплекте с варочной панелью может поставляться следующее дополнительное оборудование. Его можно также приобрести в нашем сервисном центре.



### Дополнительная решётка Wok

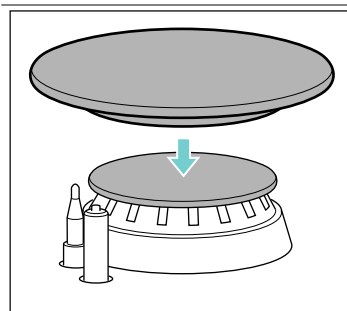
Подходит только для использования на конфорках Wok. Используйте посуду с выпуклым дном.

Чтобы увеличить срок эксплуатации прибора, рекомендуется использовать дополнительную решётку Wok.



### Дополнительная решётка для кофеварки

Подходит только для использования на самой маленькой конфорке. Используйте посуду с диаметром дна менее 12 см.



### Simmer Cap

Крышка предназначена исключительно для приготовления пищи на медленном огне. Установите Simmer Cap на крышку экономичной газовой горелки. Всегда ставьте посуду на решётку, никогда не ставьте её прямо на горелку Simmer Cap.

### Артикул

HEZ298126 Дополнительная решётка Wok: чугун (конфорка Mini-Wok)

HEZ298127 Дополнительная решётка Wok: чугун (4–5 кВт)

HEZ298110 Дополнительная решётка Wok: эмалированная сталь

HEZ298114 Дополнительная решётка для кофеварки

HEZ211310 Крышка конфорки Simmer Cap

Производитель не несет ответственности за последствия неиспользования или неправильного использования этого дополнительного оборудования.

## Газовые конфорки

### Ручное включение

1. Нажмите регулятор выбранной горелки и поверните его влево до максимального уровня мощности.
2. Поднесите запальник или пламя (зажигалка, спичка и др.) к горелке.

### Автоматический поджиг

Если для варочной панели предусмотрена функция автоматического поджига (свечи поджига):

1. Нажмите регулятор выбранной горелки и поверните его влево до максимального уровня мощности. Пока вы удерживаете регулятор нажатым, на всех горелках создаются искровые разряды. Вспыхивает пламя. Подождите несколько секунд.
2. Отпустите регулятор.
3. Поверните регулятор в нужное положение.

Если поджиг не осуществляется, выключите горелку и повторите описанные выше шаги. В этот раз удерживайте регулятор нажатым в течение более длительного времени (до 10 секунд).

### ⚠ Предупреждение – Опасность взрыва!

Если по истечении 15 секунд пламя не вспыхнуло, выключите горелку и откройте дверь или окно в помещении. Прежде чем заново зажечь горелку, подождите минимум одну минуту.

**Указание:** Соблюдайте максимальную чистоту. Если свечи поджига загрязнены, это может привести к неправильному поджигу. Очищайте свечи поджига регулярно небольшой неметаллической щёткой. Следите за тем, чтобы свечи поджига не подвергались сильному ударам.

### Система газ-контроль

Ваша варочная панель оборудована системой газ-контроль (термопарой), которая препятствует утечке газа при случайном угасании пламени на горелках.

Для того, чтобы обеспечить включение этой системы:

1. Зажгите конфорку как обычно.
2. Не отпускайте ручку, а удержите ее в нажатом состоянии в течение 4 секунд после того, как зажжется пламя.

### Выключение конфорки

Поверните соответствующую ручку вправо до отметки 0.

Через несколько секунд после выключения конфорки раздается сухой щелчок. Он не является признаком неисправности, а означает, что отключилась система газ-контроля.

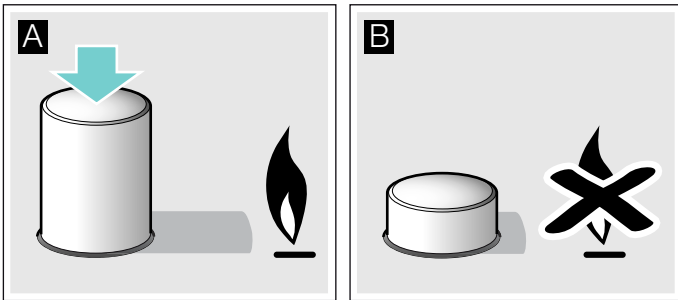
## Главный выключатель / Блокировка варочной панели (Main Switch)

В некоторых моделях варочной панели имеется главный выключатель, перекрывающий подачу газа к конфоркам и одновременно отключающий все горелки. Данный выключатель очень практичен, если у вас дома есть маленькие дети или если по какой-то причине нужно быстро выключить все конфорки.

### Чтобы заблокировать варочную панель:

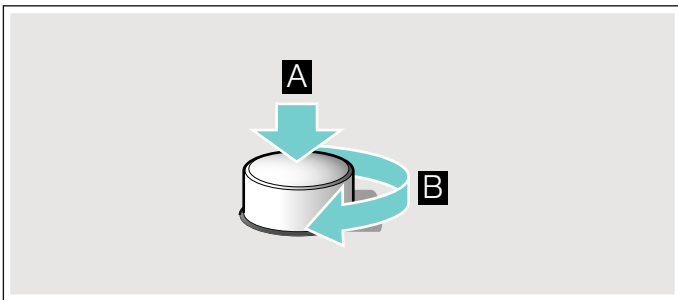
Нажмите на главный выключатель.

Все включенные конфорки отключаются. Варочная панель блокируется.



### Чтобы снять блокировку варочной панели:

1. Установите все рукоятки управления конфорками в положение «Выключено».
2. Нажмите на главный выключатель и до отказа поверните его по часовой стрелке.



Подача газа к варочной панели возобновлена. Вы можете пользоваться варочной панелью как обычно.

## Примечания

Во время работы конфорок может слышаться легкий свист, это нормально.

В первое время работы нового прибора могут выделяться специфические запахи. Они не представляют опасности для здоровья и не являются признаком неисправности варочной панели. Со временем запахи исчезнут.

Пламя оранжевого цвета является нормальным. Такой цвет пламени может быть обусловлен имеющейся в воздухе пылью, пролившейся жидкостью и т. д.

Если пламя конфорки случайно погасло, поверните ручку этой конфорки в нулевое положение и подождите не менее 1 минуты перед повторным включением.

## Таблицы и полезные советы

### Подходящая посуда

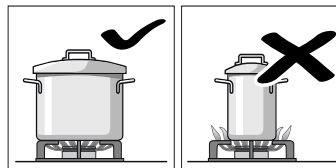
Конфорка	Минимальный диаметр дна посуды	Максимальный диаметр дна посуды
Конфорка Wok	22 см	30 см
Конфорка повышенной мощности	20 см	26 см
Стандартная конфорка	14 см	22 см
Экономичная конфорка	12 см	16 см

Посуда не должна выступать за пределы варочной панели.

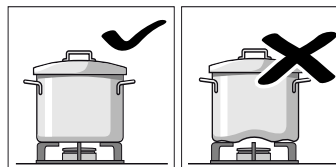
Используйте кухонную посуду с выпуклым дном, только если ваша варочная панель имеет горелку Wok и дополнительную решетку Wok. Дополнительная решётка Wok должна быть правильно установлена.

### Советы по эксплуатации

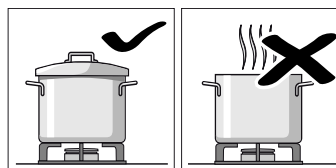
Приведенные ниже советы помогут вам сэкономить электроэнергию и избежать повреждения посуды:



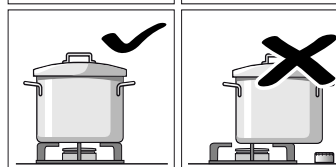
Используйте посуду, соответствующую размерам каждой конфорки. Не пользуйтесь посудой маленького диаметра на больших конфорках. Пламя не должно касаться стенок посуды.



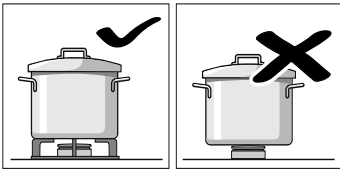
Не используйте посуду с поврежденным и неровным дном, которая неустойчиво стоит на плите. Такая посуда может перевернуться. Пользуйтесь только посудой с ровным толстым дном.



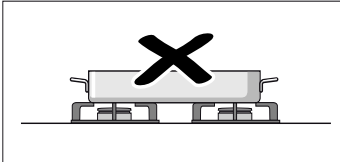
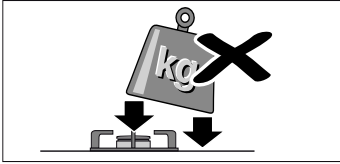
Не готовьте без крышки или с приоткрытой крышкой. Часть энергии при этом расходуется зря.



Ставьте посуду точно по центру конфорки. В противном случае она может перевернуться. Не устанавливайте большие кастрюли и сковороды на конфорки, расположенные около ручек управления. Излишний перегрев может повредить ручки.



Устанавливайте посуду на решетки, никогда не ставьте ее прямо на горелку конфорки. Перед использованием конфорки убедитесь, что решетки и крышки горелок правильно установлены. Будьте осторожны в обращении с посудой на варочной панели. Не ударяйте по варочной панели и не кладите на нее слишком тяжелые вещи. Не используйте две конфорки или два источника тепла для нагревания одной кастрюли или сковороды. Избегайте продолжительного нагревания сковород-гриль, керамических сотейников и другой подобной посуды на максимальной мощности.



## Таблица приготовления

В следующей таблице содержится информация об оптимальных степенях нагрева конфорки и времени приготовления для различных блюд. Все данные являются ориентировочными и указаны в расчёте на четыре порции.

Время приготовления и степень нагрева конфорки зависят от вида, веса и качества продуктов, вида используемого газа, а также от материала посуды. Для приготовления этих блюд преимущественно была использована посуда из нержавеющей стали.

Всегда используйте посуду соответствующего размера и устанавливайте её по центру конфорки. Информацию о диаметре дна посуды см. → "Подходящая посуда"

### Информация о приведённых в таблице данных

Приготовление каждого блюда состоит из одного или двух этапов. Для каждого этапа указаны следующие данные:

- ⌚ Конфорка
- ⌚ Время приготовления, мин

В таблице приведены данные о приготовлении блюд с использованием различных горелок. Использование первой горелки является рекомендуемой опцией. В обзоре моделей приведено описание всех конфорки варочной панели. → Страница 2

Способ	Газовая горелка	Этап 1		Этап 2	
		⌚	⌚	⌚	⌚
<b>Блюдо</b>					
<b>Приготовление, доведение до готовности</b>					
Рыбный суп	5 4 7	8-9	6-13	1-4	4-9

\*Без крышки

\*\*Постоянное помешивание

Способ	Газовая горелка	Этап 1		Этап 2	
		⌚	⌚	⌚	⌚
<b>Блюдо</b>					
Тыквенный крем-суп, борщ	5 4 7	9	8-17	2-6	17-33
Минестроне (овощной суп)	5 4 6	9	8-12	3-6	35-50
Спагетти	5 4 7	8-9*	8-12	6-7	10-12
Рис	5 4 7	8-9	4-9	2-6	11-15
Раaviоли	5 4 7	8-9	4-14	6-8	5-8
Горная чечевица	5 4 7	6-9	8-22	4-8	25-35
Мидии	5 6 7	9	4-7		
Сардельки (12 шт.)	4 7 5	4-9	7-14		
Молочный рис**	4 3 7	7-9*	9-14	1-4*	21-31
Испанский пудинг**	5 4 7	2-5*	3-13		
Бисквит (на водяной бане)	5 7 6	9	35-45		
<b>Жарение во фритюре</b>					
Картофель фри	7 5 6	7-9*	15-20		
Испанская тортилья	5 6 7	9*	18-30		
Хек в панировке	5 6 7	6-8*	4-10		
Куриный шницель (куриная грудка, филе, 8 шт.)	5 7 4	9*	2-12	6*	5-8
Крокеты, заморож. (16 шт.)	6 5 7	8-9	4-10		
Рыбные палочки, глуб. заморозки (12 шт.)	6 5 7	8-9	4-10		
<b>Жарение во фритюре с небольшим доб. масла, запек. до золотистой корочки, жарение на сковороде</b>					
Овощи в тесте темпура	5 6 7	7*	6-8	5-6*	5-9
Пассерованные свежие овощи**	7 6 5	9*	6-8		
Шакшука, менамен	4 5 7	6-9	7-13	3-4	4-9
Омлет (1 шт.)	4 5 6	8-9*	2-5		
Запечённый лосось	5 6 7	7-8*	2-4	1	3-8
Утиная грудка (1 шт.)	4 5 7	5-7*	6-11		
Бефстроганов	6 5 7	8-9*	5-13		
Мясной фарш	5 4 6	8-9*	12-25		

\*Без крышки

\*\*Постоянное помешивание

Способ Блюдо	Газовая горелка	Этап 1		Этап 2	
		⌚	⌚	⌚	⌚
Колбаски для жарения (12 шт.)	5 4 7	7-9	5-12		
Шницели по-гамбургски из говядины (4 шт., 1 см толщиной, 110 г)	5 6 7	9*	1-3	7*	2-6
Блины (4 шт.)	6 5 7	7*	1-3	4-6*	7-19
Замороженные овощи**	5 6 7	9*	5-12		
Соус «Неаполитано»	4 7 6	6-8*	1-4	4-6*	12-19
Пицца (диаметр 20 см)	7 6 5	1	4-20		
<b>Варка в скороварке</b>					
Варёный картофель (пюре, картофельный салат)	5 4 7	7-9	8-13	5-6	14-18
Хумус (пюре из нута)	5 6 7	7-9	10-12	4-7	37-43
Хлебный пудинг (на водяной бане)	5 7 6	8-9	8-12	6-7	12-18
<b>Растапливание, размораживание, изысканные блюда</b>					
Соус «Бешамель»**	3 4 7	5-6*	1-4	5-6	2-11
Соус с сыром с голубой плесенью**	3 4 5	5-7*	3-6		
Соус «Карбонара»	4 5 3	5-9*	4-7	3-5*	4-8
Шоколад с молоком	3 4	1*	10-20		

\*Без крышки

\*\*Постоянное помешивание

### Советы по приготовлению блюд

- Для приготовления кремowych супов и бобовых используйте скороварку. Время приготовления значительно уменьшается. При использовании скороварки следуйте указаниям изготовителя. Загрузите все ингредиенты в самом начале.
- При приготовлении картофеля и риса всегда закрывайте посуду крышкой. Это позволяет значительно уменьшить время приготовления. Прежде чем вы загрузите макароны, рис или картофель, вода должна закипеть. Затем отрегулируйте степень нагрева конфорки для продолжения варки.
- При жарке продуктов сначала разогрейте масло. В начале процесса жарки обеспечьте постоянную температуру, при необходимости изменив степень нагрева. При приготовлении нескольких порций дождитесь, пока снова будет достигнута температура приготовления. Регулярно переворачивайте продукт.
- Если вы готовите супы, кремowych супы, чечевичу или нут, одновременно загрузите все ингредиенты в посуду.



## Чистка и техническое обслуживание

### Очистка

Когда варочная панель остынет, протрите ее с помощью губки, воды и мыла.

Каждый раз после использования протрите поверхность деталей горелки после того, как она остынет. Даже небольшие загрязнения (пригоревшие продукты, капли жира и т. п.) при повторном нагревании запекутся на поверхности, и потом их будет трудно удалить. Чтобы пламя горело ровно, необходимо содержать в чистоте все отверстия и прорези горелки.

От передвижения некоторых видов посуды на решетках могут оставаться металлические следы.

Горелки и решетки следует мыть водой с мылом с помощью неметаллической щетки.

Будьте осторожны при промывании решеток, на которых установлены резиновые прокладки. Прокладки могут слететь, и тогда решетка поцарапает варочную панель.

Всегда досуха протирайте детали горелок и решетки. Наличие на них капель воды или влажных участков в начале процесса нагревания может повредить эмаль.

После промывки и вытирания деталей горелок убедитесь в том, что крышки правильно установлены на рассекателях.

### Внимание!

- Для очистки прибора не снимайте элементы управления. Проникшая в прибор влага может повредить прибор.
- Не используйте пароочистители. Это может повредить варочную панель.
- Никогда не пользуйтесь абразивными средствами, металлическими мочалками, режущими предметами, ножами и т. п. для устранения остатков пригоревшей пищи с поверхности варочной панели.
- Не пользуйтесь ножами, скребками и другими подобными инструментами для очистки стыка между стеклянной поверхностью и кольцами горелок или металлическими профилями и для очистки стеклянных и алюминиевых поверхностей, если они имеются.
- Не помещайте составные части горелки в посудомоечную машину.

### Уход

Если на варочную панель пролилась какая-то жидкость, сразу вытрите ее. Таким образом можно избежать прилипания остатков пищи и впоследствии сэкономить усилия по очистке панели.

Не передвигайте посуду по поверхности варочной панели, стекло может поцарапаться. Также избегайте падения на стекло твердых и острых предметов. Не ударяйте по краям варочной панели.

Песчинки, которые могут попасть на варочную панель, например, в процессе очистки овощей, могут поцарапать поверхность стекла.

Расплавленный сахар или пролившиеся продукты с высоким содержанием сахара необходимо сразу же удалить с поверхности варочной панели с помощью скребка для чистки стеклянных поверхностей.

## Что делать в случае неисправности?

В некоторых случаях возникшие неисправности можно легко устранить. Прежде чем обращаться в сервисную службу, внимательно прочитайте следующие указания.

Неполадка	Возможная причина	Решение
Общий сбой электросистемы.	Неисправный предохранитель.	Проверьте предохранитель на щитке предохранителей и замените его в случае неисправности.
	Сработал автоматический предохранитель или дифференциальный выключатель.	Проверьте, не сработал ли автоматический предохранитель или дифференциальный выключатель на электрощите.
Не работает автоматический поджиг.	Возможно, между свечами и горелками накопились остатки продуктов или моющих средств.	Пространство между свечой и горелкой должно содержаться в чистоте.
	Горелки мокрые.	Насухо вытрите крышки горелок.
	Плохо установлены крышки горелок.	Убедитесь, что крышки правильно установлены.
	Прибор незаземлен, неправильно заземлен или заземляющий провод неисправен.	Свяжитесь с квалифицированным электриком.
Пламя неравномерное.	Плохо установлены детали горелок.	Правильно установите крышки на соответствующие горелки.
	Отверстия горелки загрязнены.	Очистите отверстия горелки.
Газ не выходит или выходит неравномерно.	Подача газа перекрыта промежуточными вентилями.	Откройте промежуточные вентили, если они имеются.
	Если газ подается из баллона, проверьте, не пуст ли он.	Смените газовый баллон.
В кухне пахнет газом.	Открыт кран какой-то конфорки.	Закройте краны конфорок.
	Плохо подсоединен газовый баллон.	Проверьте, герметично ли подсоединен баллон.
	Возможно, происходит утечка газа.	Перекройте главный газовый вентиль, проветрите помещение и срочно свяжитесь с квалифицированным специалистом, имеющим право на проведение проверки и сертификацию систем газоснабжения. Не используйте прибор, пока не будет проведена проверка наличия утечки газа из системы газоснабжения или самого прибора.
Сразу после отпускания ручки пламя на конфорке гаснет.	Ручка не была удержана в нажатом состоянии в течение нужного времени.	После зажигания пламени удержите ручку в нажатом состоянии в течение еще нескольких секунд.
	Отверстия горелки загрязнены.	Очистите отверстия горелки.

## Служба сервиса

При обращении в сервисный центр необходимо сообщить код прибора (E-Nr.) и его заводской номер (FD). Эта информация находится в табличке с характеристиками, расположенной в нижней части варочной панели, и на этикетке в руководстве по эксплуатации.

### Заявка на ремонт и консультация при неполадках

Контактные данные всех стран Вы найдёте в приложенном списке сервисных центров.

Положитесь на компетентность изготовителя. Тогда Вы можете быть уверены, что ремонт Вашего прибора будет произведён грамотными специалистами и с использованием фирменных запасных частей.


### Условия гарантийного обслуживания

Если, вопреки нашим ожиданиям, данный электроприбор поврежден или не отвечает предъявляемым к нему требованиям качества, просим сообщить нам об этом как можно скорее. Гарантия на данный прибор действительна только в случае, если в приборе не производилось никаких изменений и он не использовался ненадлежащим образом.

Условия гарантийного обслуживания данного прибора определяются представительством нашей компании в стране, где была произведена покупка. Более подробную информацию вы можете получить в магазинах. Чтобы воспользоваться гарантией, необходимо предъявить торговый чек.

Производитель оставляет за собой право на внесение изменений.

## Охрана окружающей среды

Если на типовой табличке прибора имеется символ , соблюдайте следующие указания.

### Правильная утилизация упаковки

Утилизируйте упаковку с соблюдением правил экологической безопасности.



Данный прибор имеет отметку о соответствии европейским нормам 2012/19/EU утилизации электрических и электронных приборов (waste electrical and electronic equipment - WEEE).

Данные нормы определяют действующие на территории Евросоюза правила возврата и утилизации старых приборов.

Упаковка данного прибора произведена из минимального количества материалов, необходимого для обеспечения надежной защиты во время транспортировки. Все эти материалы могут быть повторно переработаны, что сокращает их негативное влияние на окружающую среду. Вы можете внести свой вклад в охрану природы, если последуете следующим советам:

- выбросите упаковку в соответствующий контейнер для материалов, подлежащих утилизации;
- прежде, чем выбросить ненужный прибор, сделайте его явно непригодным для использования; узнайте в местной администрации, где находится приемный пункт по сбору вторичного сырья, и отвезите туда свой прибор;
- не выливайте использованное растительное масло в раковину; вылейте его в закрывающуюся емкость и отнесите в приемный пункт, а если рядом с вашим домом такого пункта нет, положите емкость с маслом в мусорный контейнер (оттуда оно попадет на контролируемую свалку; возможно, это не лучший вариант, но таким образом можно избежать загрязнения воды).

## Зміст

	Використання за призначенням . . . . .	31
	Важливі настанови з безпеки . . . . .	32
	Знайомство з приладом . . . . .	33
	Елементи управління та конфорки . . . . .	33
	Приладдя . . . . .	34
	Газові конфорки . . . . .	34
	Увімкнення вручну . . . . .	34
	Автоматичне запалювання . . . . .	34
	Захист від витікання газу . . . . .	34
	Вимкнення конфорки . . . . .	34
	Головний вимикач / Блокування варильної панелі (Main Switch) . . . . .	35
	Застереження . . . . .	35
	Таблиці та поради . . . . .	35
	Посуд, придатний до використання . . . . .	35
	Поради з використання . . . . .	35
	Таблиця тривалості готування . . . . .	36
	Чистка і технічне обслуговування . . . . .	37
	Очищення . . . . .	37
	Догляд . . . . .	37
	Що робити у випадку несправності? . . . . .	38
	Служба сервісу . . . . .	39
	Умови гарантії . . . . .	39
	Захист навколишнього середовища . . . . .	39
	Утилізація відповідно до правил екологічної безпеки . . . . .	39

Более подробную информацию о продукции, принадлежностях, запасных частях и службе сервиса можно найти на официальном сайте [www.bosch-home.com](http://www.bosch-home.com) и на сайте интернет-магазина [www.bosch-eshop.com](http://www.bosch-eshop.com)

## Використання за призначенням

Уважно прочитайте цю інструкцію. Тільки після цього можна ефективно та безпечно користуватися приладом. Зберігайте інструкції з експлуатації та монтажу і передавайте їх разом з приладом у разі продажу.

**Виробник не несе відповідальності в разі невиконання положень, що містяться в цих інструкціях.**

Наведені в інструкції малюнки є орієнтовними.

Не виймайте прилад із захисної упаковки до моменту його монтажу. У разі виявлення будь-якого пошкодження приладу не підключайте його до електромережі. Зверніться до нашого сервісного центру.

Даний прилад відноситься до класу 3, згідно з нормою EN 30-1-1 для газових приладів: «Вбудована техніка».

Перед початком монтажу нової варильної панелі переконайтеся, що він буде виконуватися з дотриманням інструкцій з монтажу.

Даний прилад не можна встановлювати на яхтах та в автокемперах.

Даний прилад можна встановлювати тільки в добре провітрюваних приміщеннях.

Цей прилад не призначений для підключення до нього зовнішнього годинника або окремого дистанційного керування.

**Усі роботи, пов'язані з монтажем, підключенням до газової та електромережі, початковим налаштуванням та переналаштуванням для використання з іншими типами газу, повинні виконуватися сертифікованим спеціалістом з дотриманням всіх норм та законодавства в даній галузі та вимог місцевих газо- та електропостачальних компаній. Особливу увагу треба приділити вимогам щодо вентиляції.**

На заводі даний прилад налаштовано на тип газу, вказаний у таблиці з характеристиками. У разі необхідності переналаштування зверніться до інструкції з монтажу. Для переналаштування варильної

панелі для використання з іншими типами газу рекомендується звернутися до нашого сервісного центру.

Даний електроприлад розрахований тільки на побутове використання. Комерційне і промислове використання приладу не допускаються. Користуйтеся даним приладом тільки для приготування їжі і ніколи не використовуйте його для опалювання. Гарантія дійсна тільки за умови використання приладу за призначенням.

Цей прилад призначений для використання на висоті щонайбільше 2000 м над рівнем моря.

Не використовуйте захисні кришки та загорожі для дітей, окрім тих, що рекомендовані виробником варильної панелі. Це може призвести до нещасних випадків через перенагрівання, займання або відпадання фрагментів матеріалів.

Діти до 8 років та особи із психічними, сенсорними чи ментальними вадами, або якщо їм бракує знань та досвіду, можуть користуватися приладом лише під наглядом людини, що несе відповідальність за їхню безпеку, або якщо вони пройшли підготовку з користування приладом та розуміють можливу небезпеку.

Не дозволяйте дітям гратися з приладом. Очищення та експлуатаційне обслуговування можуть виконувати діти, лише якщо їм 15 років або більше та якщо вони під наглядом.

Тримайте дітей молодших за 8 років подалі від приладу та кабелю підключення.

## **Важливі настанови з безпеки**

### **Попередження – Існує небезпека раптового займання!**

Накопичення газу у закритому приміщенні може призвести до раптового займання. Слідкуйте, щоб поблизу приладу не було протягів. Конфорки можуть згаснути. Перед використанням газових конфорок уважно вивчіть інструкції та правила техніки безпеки.

### **Попередження – Існує небезпека отруєння!**

Використання газової варильної панелі підвищує температуру, вологість і вміст продуктів горіння у приміщенні, де її встановлено. Треба забезпечити якісну вентиляцію кухні, особливо під час використання варильної панелі: тримати відкритими отвори для природної вентиляції або встановити пристрій для механічної вентиляції (витяжку). Під час інтенсивного та тривалого використання приладу може знадобитися додаткова вентиляція або більш ефективна вентиляція: відкрийте вікно або підвищить потужність механічної витяжки.

### **Попередження – Існує небезпека отримання опіків!**

- Під час роботи конфорки та прилеглі до них зони дуже розігріваються. Ніколи не торкайтеся гарячих поверхонь. Не дозволяйте дітям молодше 8 років наближатися до варильної панелі.
- Коли балон зі скрапленим газом не встановлений суворо вертикально, рідкий пропан/бутан може потрапити до приладу. Унаслідок цього з отворів конфорки може виходити велике шпичасте полум'я, воно може пошкодити деталі і з часом зробити їх нещільними. Пізніше з-під них може виходити полум'я. В обох випадках постає небезпека опіків, тому встановлювати балон зі скрапленим газом слід лише суворо вертикально.

### **Попередження – Небезпека пожежі!**

- Необхідно слідкувати за процесом варіння. За короточасним процесом варіння необхідно слідкувати безперервно.
- Під час роботи конфорки дуже розігріваються. Не кладіть на варильну панель займісті предмети. Не використовуйте варильну панель як місце збереження предметів.



- Не зберігайте біля даного електроприладу або під ним хімічні корозійні засоби, легкозаймисті матеріали або нехарчові продукти та не користуйтеся ними та парою поблизу від нього.
- Перегріті жир та олія швидко займаються. Не залишайте пательні з жиром чи олією на варильній панелі без нагляду. Якщо жир чи олія займаються, не заливайте вогонь водою. Закрийте посуд кришкою, щоб перекрити доступ кисню до вогню, та вимкніть конфорку.

### **⚠ Попередження – Небезпека травмування!**

- Тріщини або відколи на склі небезпечні. Обов'язково вимикайте всі пальники і електричні нагрівальні елементи. Витягніть мережевий штекер або вимкніть запобіжник у розподільному блоці. Перекрийте подачу газу. Не торкайтесь поверхні приладу. Забороняється вмикати пошкоджений прилад. Зверніться до сервісної служби.
- Різка зміна температури може призвести до розтріскування скла. Під час використання варильної панелі уникайте утворення протягів та проливання холодних рідин.
- Посуд, що пошкоджений, не відповідає розмірам конфорки, виходить поза край варильної панелі або погано поставлений на конфорку, може стати причиною серйозних травм. Дотримуйтеся порад та рекомендацій щодо використання посуду.
- При некваліфікованому ремонті прилад може стати джерелом небезпеки. Ремонтні роботи та заміну пошкоджених кабелів електроживлення або газопровідних шлангів може виконувати тільки кваліфікований фахівець сервісної служби. Якщо прилад несправний, витягніть мережевий штекер або вимкніть запобіжник у розподільному блоці, перекрийте подачу газу. Зверніться до сервісної служби.
- Якщо кнопку управління не можна повернути або вона розхитана, її більше не можна використовувати. Негайно зверніться до сервісної служби, щоб відремонтувати або замінити кнопку управління.

### **⚠ Попередження – Існує небезпека ураження електричним струмом!**

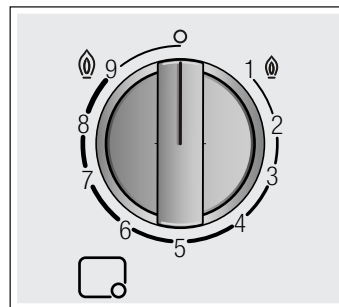
- Не використовуйте для очищення варильної панелі пароочищувачі.
- Тріщини або відколи на скляній панелі можуть призвести до ураження електричним струмом. Вимкніть запобіжник у розподільному блоці. Зверніться до сервісної служби.

## **Знайомство з приладом**


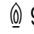
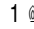
В огляді моделей Ви можете знайти свій пристрій з відповідними потужностями конфорок. → Сторінка 2

### **Елементи управління та конфорки**

На кожному поворотному перемикачеві позначена відповідна конфорка. За допомогою поворотних перемикачів можна відповідно встановлювати різноманітні положення потрібної потужності між максимальним та мінімальним значеннями. Не намагайтеся безпосередньо перемикатися з положення 0 на положення 1 або з положення 1 на положення 0.

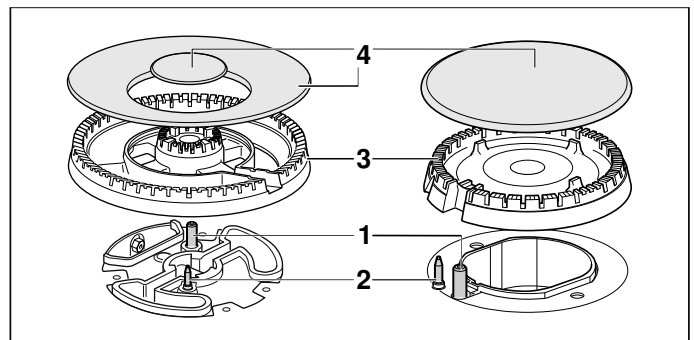


#### **Індикація**

	Конфорка, що регулюється поворотним перемикачем
0	Вимкнена конфорка
	Найвищий рівень потужності та електричне запалювання
1 	Найнижчий рівень потужності

Для правильного використання приладу необхідно переконатися, щоб решітки та всі деталі пальників були правильно встановлені. Не міняйте місцями кришки конфорок.

Завжди обережно знімайте решітку. Переміщення решітки може також зсунути решітки, що стоять поблизу.

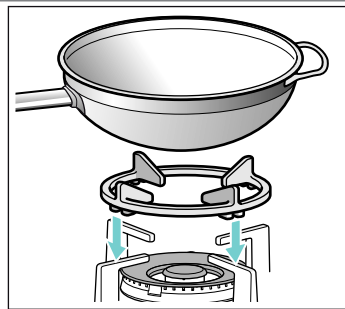


#### **Елементи**

1	Елемент запалювання
2	Термоелемент
3	Корпус конфорки
4	Кришка пальника

## Приладдя

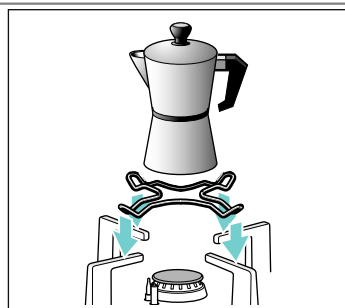
Деякі моделі варильної панелі комплектуються наступним приладдям. Його також можна придбати у сервісному центрі.



### Додаткова решітка для Wok

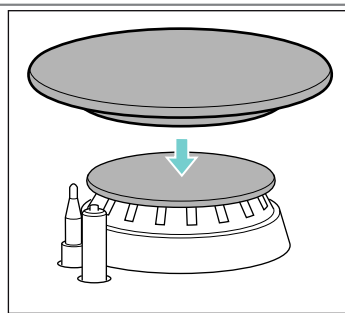
Підходить для використання лише на конфорках Wok. Використовуйте посуд з опуклим дном.

Щоб подовжити термін служби приладу, рекомендується використовувати додаткову решітку для Wok.



### Додаткова решітка для готування еспресо

Підходить для використання лише на менших конфорках. Використовуйте посуд з діаметром менше 12 см.



### Simmer Cap

Використовуйте кришку виключно для готування з мінімальною потужністю. Помістіть Simmer Cap на кришку економічної конфорки. Ставте посуд на решітку, в жодному разі не безпосередньо на Simmer Cap.

### Артикул

- HEZ298126 Додаткова решітка для Wok: чавун (міні-конфорка Wok)  
 HEZ298127 Додаткова решітка для Wok: чавун (4-5 кВт)  
 HEZ298110 Додаткова решітка для Wok: емальована сталь  
 HEZ298114 Додаткова решітка для готування еспресо  
 HEZ211310 Simmer Cap

Виробник не несе відповідальності, якщо ці приладдя не використовуються або використовуються неправильно.

## Газові конфорки

### Увімкнення вручну

1. Натисніть на поворотний перемикач обраної конфорки та поверніть його ліворуч до найвищого рівня потужності.
2. Піднесіть запальничку або джерело полум'я (сірник, кресало тощо) до пальника.

### Автоматичне запалювання

Якщо варильна поверхня оснащена автоматичним запалюванням (свічками запалювання):

1. Натисніть на поворотний перемикач обраної конфорки та поверніть його ліворуч до найвищого ступеня потужності. Поки утримується поворотний перемикач, всі конфорки утворюють іскри. Полум'я запалюється. Зачекайте кілька секунд.
2. Відпустіть поворотний перемикач.
3. Поверніть поворотний перемикач у потрібне положення.

Якщо запалювання не відбувається, вимкніть конфорку і повторіть кроки, описані вище. Цього разу утримуйте поворотний перемикач натиснутим дещо довше (до 10 секунд).

### ⚠ Попередження – Небезпека вибуху!

Якщо полум'я не запалюється через 15 секунд, вимкніть конфорку та відкрийте двері або вікно приміщення. Перед тим, як знову увімкнути конфорку, зачекайте принаймні одну хвилину.

### Вказівка: Слідкуйте за особливою чистотою.

Забруднення свічок запалювання може призвести до неналежного запалювання. Регулярно очищуйте свічки запалювання за допомогою невеликої неметалічної щітки. Намагайтеся не застосовувати надмірну силу до свічок.

### Захист від витікання газу

Дану варильну панель оснащено захистом від витікання газу (термопарою), який запобігає виходу газу в разі, коли конфорки випадково згасають.

Щоб забезпечити вмикання цієї системи:

1. Запаліть конфорку, як ви робите це звичайно.
2. Не відпускаючи ручку управління, утримайте її натиснутою протягом 4 секунд після запалювання полум'я.

### Вимкнення конфорки

Поверніть відповідну ручку управління праворуч до положення 0.

Через кілька секунд після вимкнення конфорки лунає звуковий сигнал (сухе клацання). Це не є ознакою несправності, а свідчить про вимкнення системи захисту від витікання газу.

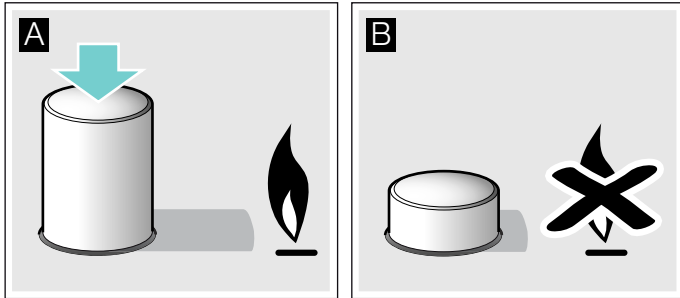
## Головний вимикач / Блокування варильної панелі (Main Switch)

Варильна панель може мати головний вимикач, який припиняє подачу газу й відразу ж вимикає всі конфорки. Цей вимикач стає в пригоді, якщо у домі є діти або коли з якихось причин треба швидко вимкнути всі конфорки.

### Щоб заблокувати варильну панель:

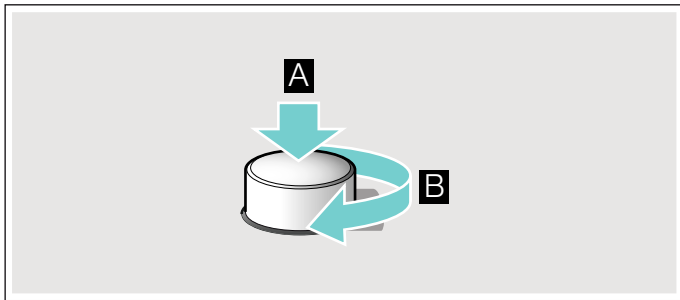
Натисніть головний вимикач.

Усі увімкнені конфорки згаснуть. Варильна панель заблокується.



### Щоб розблокувати варильну панель:

1. Поверніть усі ручки в нульове положення.
2. Натисніть головний вимикач і поверніть його за годинниковою стрілкою до упору.



Подача газу до варильної панелі відновлюється. Після цього можна використовувати варильну панель, як ви робите це звичайно.

## Застереження

Під час використання конфорки може відчуватися слабкий свист, що є цілком нормальним.

На початку використання варильної панелі можливе виділення запахів. Це не є ознакою небезпеки або неправильної роботи електроприладу. З часом запахи зникнуть.

Полум'я помаранчевого кольору є нормальним. Таке забарвлення виникає в результаті присутності пилу в повітрі, розлиття рідин тощо.

У разі випадкового загасання полум'я конфорки вимкніть конфорку і не намагайтесь запалити її знову протягом принаймні 1 хвилини.

## Таблиці та поради

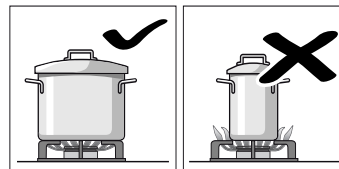
### Посуд, придатний до використання

Конфорка	Мінімальний діаметр дна посуду для готування	Максимальний діаметр дна посуду для готування
Конфорка Wok	22 см	30 см
Потужна конфорка	20 см	26 см
Звичайна конфорка	14 см	22 см
Економічна конфорка	12 см	16 см

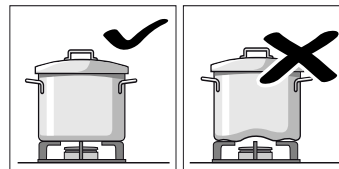
Посуд не повинен виступати за край варильної поверхні. Використовуйте посуд з опуклим дном, лише якщо ваша варильна поверхня має конфорку Wok та додаткову решітку для Wok необхідно правильно розташувати.

### Поради з використання

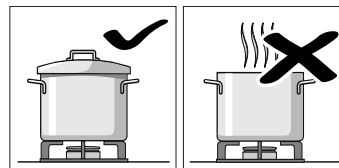
Ці поради допоможуть вам заощадити електроенергію і запобігти пошкодженню посуду:



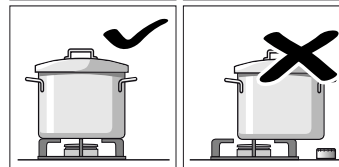
Використовуйте посуд, розмір якого відповідає діаметру кожної конфорки. Не використовуйте малий посуд на великих конфорках. Вогонь не повинен торкатися боковин посуду.



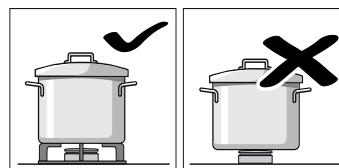
Не використовуйте деформований посуд, який нестійко стоїть на варильній поверхні. Такий посуд може перекинутися. Використовуйте тільки посуд з плоским товстим дном.



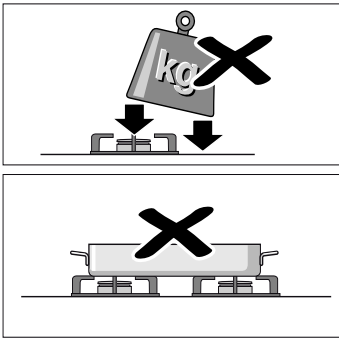
Не готуйте їжу без кришки або зі зсунутою кришкою. Інакше частина енергії втрачається.



Розміщуйте посуд по центру конфорки. Інакше посуд може перекинутися. Не розміщуйте посуд великого розміру на конфорках, що знаходяться біля ручок управління. Ручки можуть пошкодитися внаслідок перегрівання.



Встановлюйте посуд тільки на решітці і ніколи не ставте його безпосередньо на конфорку. Перед використанням конфорок варильної панелі перевірте, щоб решітці і кришки конфорок були правильно встановлені.



Будьте обережні під час пересування посуду на варильній панелі. Не стукайте по варильній панелі і не ставте на неї занадто важкі предмети. Не користуйтеся двома конфорками для нагрівання однієї посудини. Не залишайте пательні-гриль, глиняні сотейники тощо на максимальному вогні протягом тривалого часу.

## Таблиця тривалості готування

У цій таблиці наведені оптимальні рівні нагрівання і тривалість готування для різних страв. Ці орієнтовні дані розраховані на чотири порції.

Тривалість готування і рівні нагрівання залежать від типу, ваги, якості страв, типу газу, що використовується, та від матеріалу, з якого виготовлено посуд для готування. Для приготування цієї страви використовується переважно посуд із нержавіючої сталі.

Завжди використовуйте посуд відповідного розміру і ставте його по центру на конфорку. Інформацію щодо діаметру посуду для готування ви знайдете у розділі. → "Посуд, придатний до використання"

### Інформація щодо таблиці

Приготування кожної страви складається з одного або двох етапів. Кожен етап містить такі дані:

- 🕒 Положення приготування
- 🕒 Тривалість, хв.

У таблиці містяться рекомендації щодо готування страв на різних конфорках. Рекомендація за замовчуванням — перша конфорка. В огляді моделі описані всі конфорки варильної поверхні. → Сторінка 2

Метод Страва	Конфорка	Етап 1		Етап 2	
		🕒	🕒	🕒	🕒
<b>Варіння, готування</b>					
Юшка	5 4 7	8-9	6-13	1-4	4-9
Гарбузовий крем-суп, борщ	5 4 7	9	8-17	2-6	17-33
Мінестроне (італійський овочевий суп)	5 4 6	9	8-12	3-6	35-50
Спагеті	5 4 7	8-9*	8-12	6-7	10-12
Рис	5 4 7	8-9	4-9	2-6	11-15
Равіолі	5 4 7	8-9	4-14	6-8	5-8
Сочевиця гірська	5 4 7	6-9	8-22	4-8	25-35
Мідії	5 6 7	9	4-7		
Сардельки (12 шт.)	4 7 5	4-9	7-14		
*Без кришки **Постійно перемішуйте					

Метод Страва	Конфорка	Етап 1		Етап 2	
		🕒	🕒	🕒	🕒
Рис, зварений на молоці**	4 3 7	7-9*	9-14	1-4*	21-31
Іспанський пудинг**	5 4 7	2-5*	3-13		
Бісквіт (на водяній бані)	5 7 6	9	35-45		
<b>Готування у фритюрі з олією</b>					
Картопля фрі	7 5 6	7-9*	15-20		
Іспанська тортілья	5 6 7	9*	18-30		
Мерлуза панірована	5 6 7	6-8*	4-10		
Курачий шніцель (8 філе курки)	5 7 4	9*	2-12	6*	5-8
Крокети, заморожені (16 шт.)	6 5 7	8-9	4-10		
Рибні палички, глибокого замороження (12 шт.)	6 5 7	8-9	4-10		
<b>Готування у фритюрі з невеликою кількістю олії, запікання до золоті скоринки, смаження на сковороді</b>					
Овочі в тісті темпура	5 6 7	7*	6-8	5-6*	5-9
Свіжі пасеровані овочі**	7 6 5	9*	6-8		
Шакшука, менемен	4 5 7	6-9	7-13	3-4	4-9
Омлет (1 шт.)	4 5 6	8-9*	2-5		
Запечений лосось	5 6 7	7-8*	2-4	1	3-8
Качине філе (1 шт.)	4 5 7	5-7*	6-11		
Яловиче філе, беф строганов	6 5 7	8-9*	5-13		
Фарш	5 4 6	8-9*	12-25		
Купати (12 шт.)	5 4 7	7-9	5-12		
Гамбургер з яловичини (4 шт., 1 см завтовшки, 110 г)	5 6 7	9*	1-3	7*	2-6
Тонкі млинці (4 шт.)	6 5 7	7*	1-3	4-6*	7-19
Заморожені овочі**	5 6 7	9*	5-12		
Соус наполі	4 7 6	6-8*	1-4	4-6*	12-19
Піца (діаметром 20 см)	7 6 5	1	4-20		
*Без кришки **Постійно перемішуйте					

Метод Страва	Конфорка	Етап 1		Етап 2	
		🕒	🕒	🕒	🕒
<b>Приготування у скороварці</b>					
Відварена картопля (пюре, картопляний салат)	5 4 7	7-9	8-13	5-6	14-18
Хумус (нутове пюре)	5 6 7	7-9	10-12	4-7	37-43
Хлібний пудинг (на водяній бані)	5 7 6	8-9	8-12	6-7	12-18
<b>Розтоплення, розморожування, ніжні страви</b>					
Соус бешамель**	3 4 7	5-6*	1-4	5-6	2-11
Соус із сиром з блакитною пліснявою**	3 4 5	5-7*	3-6		
Соус карбонара	4 5 3	5-9*	4-7	3-5*	4-8
Молочний шоколад	3 4	1*	10-20		
*Без кришки **Постійно перемішуйте					

### Поради щодо готування

- Для приготування крем-супів та бобових рекомендовано застосовувати скороварку. Тривалість готування значно зменшиться. Використовуйте скороварку відповідно до вказівок виробника. Додайте всі інгредієнти відразу ж на початку.
- Під час готування картоплі та рису завжди накривайте посуд кришкою. Таким чином час приготування значно скорочується. Перш ніж додавати макарони, рис або картоплю, почекайте, поки вода закипить. Потім відрегулюйте рівень нагрівання, щоб відновити приготування.
- Під час готування на сковороді в першу чергу розігрійте олію. Під час смаження підтримуйте постійну температуру, регулюючи за необхідності рівень нагрівання. При готуванні кількох порцій зачекайте, поки знову не буде досягнута задана температура. Регулярно перевертайте продукти.
- Під час приготування супів, крему, сочевиці або нуту додавайте всі інгредієнти в посуд одночасно.



## Чистка і технічне обслуговування

### Очищення

Залиште прилад охолонути. Очистіть його губкою, змоченою у мильному розчині.

Щоразу після використання очищайте поверхню деталей конфорки після того, як вона охолоне. Якщо навіть невелике забруднення (рештки продуктів, краплі жиру тощо, що запеклися на конфорці) залишити, воно пристане до поверхні, і потім його буде важче видалити. Для правильного виходу полум'я необхідно, щоб отвори та щілини конфорки були чистими.

Від пересування деякого посуду на решітках можуть лишатися металеві сліди.

Очистіть конфорки і решітки за допомогою води та миючого засобу та протріть їх неметалевою щіткою.

Якщо решітки оздоблені гумовими підкладками, очищайте їх з обережністю. Підкладки можуть злетіти, і тоді решітка може подряпати варильну панель.

Завжди насухо витирайте конфорки і решітки. Присутність крапель води або вологи на початку приготування може пошкодити емаль.

Після очищення та просушування конфорок перевірте, щоб кришки були правильно встановлені на розсікачах.

### Увага!

- Під час чищення приладу не знімайте елементи управління. Потрапляння рідини на прилад може спричинити його пошкодження.
- Не використовуйте пароочишувачі. Вони можуть пошкодити варильну поверхню.
- Ніколи не використовуйте абразивні миючі засоби, металеві губки, загострені предмети, ножі тощо для усунення залишків їжі, що засмажилися на варильній панелі.
- Не використовуйте ножі, шкребки та інші подібні предмети для очищення стику скла з кільцями конфорок та металевими профілями або для очищення скляних чи алюмінієвих панелей за умови їх наявності.
- Не кладіть деталі конфорки в посудомийну машину.

### Догляд

Одразу витирайте рідини, що проливаються на варильну панель. Так ви уникнете прилипання рештків їжі та заощадите майбутні зусилля.

Не пересувайте посуд по поверхні скла, це може пошкодити його. Запобігайте також падінню на скло твердих або загострених предметів. Не стукайте по пругах варильної панелі.

Піщинки (наприклад, від очищення овочів) дряпають поверхню скла.

Якщо на поверхню панелі потрапив розплавлений цукор або продукти з підвищеним вмістом цукру, їх треба негайно зчистити з конфорки за допомогою шкребка для скла.

## ? Що робити у випадку несправності?

У деяких випадках певні несправності можна з легкістю усунути самостійно. Перед тим як викликати сервісну службу, ознайомтеся з наступними вказівками.

Несправність	Можлива причина	Вирішення
Загальна несправність електричної системи.	Пошкоджений топкий запобіжник.	Перевірте на щитку запобіжників, чи запобіжник пошкоджено, та замініть його.
	Спрацював автоматичний роз'єднувач або диференційний вимикач.	Перевірте на головному електрощиті, чи не спрацював автоматичний роз'єднувач або диференційний вимикач.
Автоматичне електрозапалювання не працює.	Можливо, між свічками запалювання і пальниками потрапили рештки продуктів або миючих засобів.	Простір між свічками запалювання і конфорками повинен бути чистим.
	Пальники мокрі.	Ретельно витріть кришки пальників.
	Кришки пальників неправильно встановлені.	Перевірте, щоб кришки було встановлено правильно.
Полум'я конфорки не є рівномірним.	Прилад не підключений або неправильно підключений до заземлення або заземлення є пошкодженим.	Зв'яжіться зі спеціалістом-електриком.
	Деталі пальника неправильно встановлені.	Правильно установіть деталі на відповідний пальник.
Газ виходить погано або не виходить зовсім.	Щілини пальника забруднені.	Очистіть щілини пальника.
	Подача газу перекрита проміжними вентилями.	Відкрийте проміжні вентилялі, якщо вони є.
На кухні відчувається запах газу.	Якщо газ подається з балону, перевірте, чи балон не спорожнів.	Замініть балон.
	Відкритий кран однієї з конфорок.	Закрийте всі крани.
	Проблема з'єднання з балоном.	Перевірте, чи правильно виконане з'єднання.
Відразу після звільнення ручки полум'я на конфорці гасне.	Можливий витік газу.	Перекрийте головний газовий вентиль, провітрити приміщення та терміново викличте кваліфікованого спеціаліста для перевірки та сертифікації з'єднання. До перевірки наявності витіку газу зі з'єднань чи самого приладу користуватися варильною панеллю не можна.
	Ручку управління не було натиснуто протягом достатнього часу.	Після запалювання конфорки утримайте ручку натиснутою ще декілька секунд.
	Щілини пальника забруднені.	Очистіть щілини пальника.

## Служба сервісу

Під час звернення до нашого сервісного центру вам треба надати номер електроприладу (E-Nr.) та заводський номер (FD). Ця інформація присутня на табличці з характеристиками, що розташована в нижній частині варильної панелі, а також на етикетці інструкцій з експлуатації.

### Заявка на ремонт та консультація при неполадках

Контактні дані всіх країн Ви знайдете в доданому списку сервісних центрів.

Довіртеся компетентності виробника. Таким чином Ви будете певні, що ремонт Вашого приладу виконується належно підготовленим техніком сервісної служби із використанням оригінальних запасних деталей.

Виробник: "Роберт Бош Хаузгерете ГмбХ" вул. Карл-Вері-Штрассе, 34, м. Мюнхен, 81739, Німеччина

Імпортер: ТОВ "БСХ Побутова Техніка" вул. Радищева, 10/14 корп.Б, м. Київ, Україна


### Умови гарантії

Якщо, всупереч нашим сподіванням, прилад є пошкодженим або не відповідає передбаченим вимогам якості, просимо вас якнайшвидше повідомити нам про це. Щоб гарантія залишалась дійсною, не треба виконувати з приладом жодних дій та використовувати його невідповідним чином.

Умови гарантії визначаються представництвом нашої компанії в країні, де було здійснено покупку. Докладну інформацію ви можете отримати в пунктах продажу. Щоб скористатися гарантією, необхідно надати документ, що підтверджує покупку.

Виробник залишає за собою право на внесення змін.

## Захист навколишнього середовища

Якщо на фірмовій табличці зображений символ , дійте згідно з наступними вказівками.

### Утилізація відповідно до правил екологічної безпеки

Обов'язково утилізуйте упаковку відповідно до правил екологічної безпеки.



Цей прилад маркіровано згідно положень європейської Директиви 2012/19/EU стосовно електронних та електроприладів, що були у використанні (waste electrical and electronic equipment - WEEE).

Директивою визначаються можливості, які є дійсними у межах Європейського союзу, щодо прийняття назад та утилізації бувших у використанні приладів.

Упаковку вашого приладу було виготовлено тільки з тих матеріалів, які необхідні для забезпечення ефективного захисту приладу під час транспортування. Ці матеріали підлягають вторинній переробці, завдяки чому зменшується їх негативний вплив на довкілля. Запрошуємо вас також посприяти захисту довкілля, дотримуючись наступних порад:

- помістіть упаковку у відповідний контейнер для збору відходів;
- перед утилізацією приладу, що відслужив свій термін, зробіть його непридатним для використання. Запитайте в місцевих органах влади адресу найближчого пункту прийому вторинної сировини та здайте туди свій прилад;
- не зливайте використану олію у мийку. Вилийте її в закриту посудину та віднесіть до пункту прийому або, якщо такого немає, помістіть цю посудину у контейнер для сміття (вона попаде на обладнане звалище; це, мабуть, не є оптимальним варіантом, але так можна запобігти забрудненню води).



## Thank you for buying a Bosch Home Appliance!

Register your new device on MyBosch now and profit directly from:

- **Expert tips & tricks for your appliance**
- **Warranty extension options**
- **Discounts for accessories & spare-parts**
- **Digital manual and all appliance data at hand**
- **Easy access to Bosch Home Appliances Service**

Free and easy registration – also on mobile phones:

**[www.bosch-home.com/welcome](http://www.bosch-home.com/welcome)**



## Looking for help? You'll find it here.

Expert advice for your Bosch home appliances, need help with problems or a repair from Bosch experts.

Find out everything about the many ways Bosch can support you:

**[www.bosch-home.com/service](http://www.bosch-home.com/service)**

**Contact data of all countries are listed in the attached service directory.**

Valid within Great Britain:

Imported to Great Britain by

**Robert Bosch Hausgeräte GmbH**

Carl-Wery-Straße 34  
81739 München  
Germany

**[www.bosch-home.com](http://www.bosch-home.com)**

BSH Home Appliances Ltd.  
Grand Union House  
Old Wolverton Road  
Wolverton, Milton Keynes  
MK12 5PT  
United Kingdom



9001285868  
010917